

This document is the property of Amphenol Corporation and is delivered on the express condition that it is not to be disclosed, reproduced or used, in whole or in part, for manufacture or sale by anyone other than Amphenol Corporation without its prior consent, & that no right is granted to disclose or to use any information in this document.

# Customer drawing

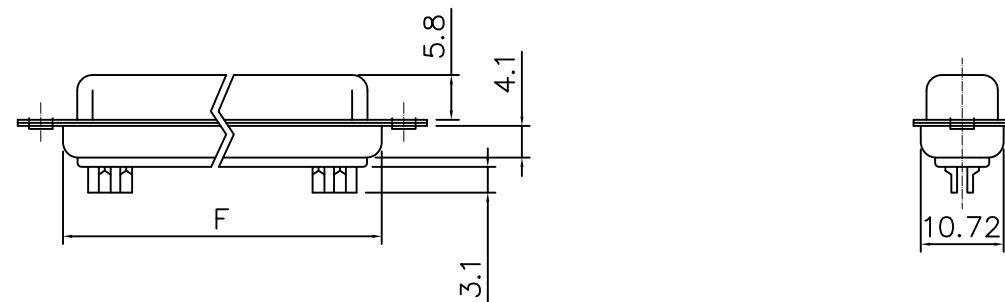
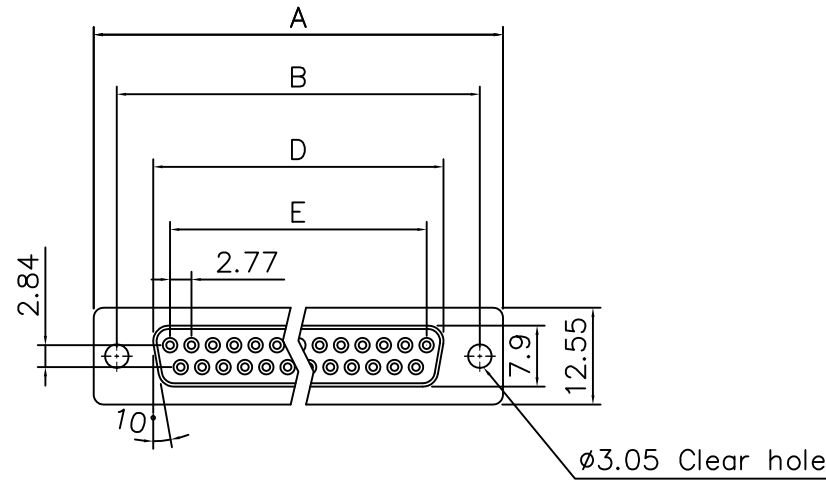
REVISIONS				
SYM	ECN	DESCRIPTION	DATE	APPROVED
1	HK--	First Release Drawing	12/29/14	IP

## D-SUB TECHNICAL DATA

SHELL : Steel, 100u" Tin over 50u" nickel over 50u" min Copper  
 BODY : Glass-Filled Thermoplastic PBT, UL94V-0,Black  
 CONTACTS : Copper Alloy  
 Gold flash over 50u" nickel on mating area  
 100u" tin over 50u" nickel on solder area

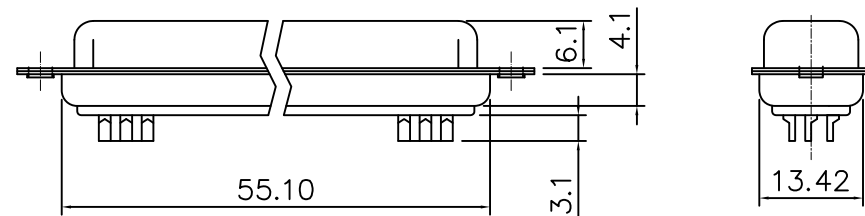
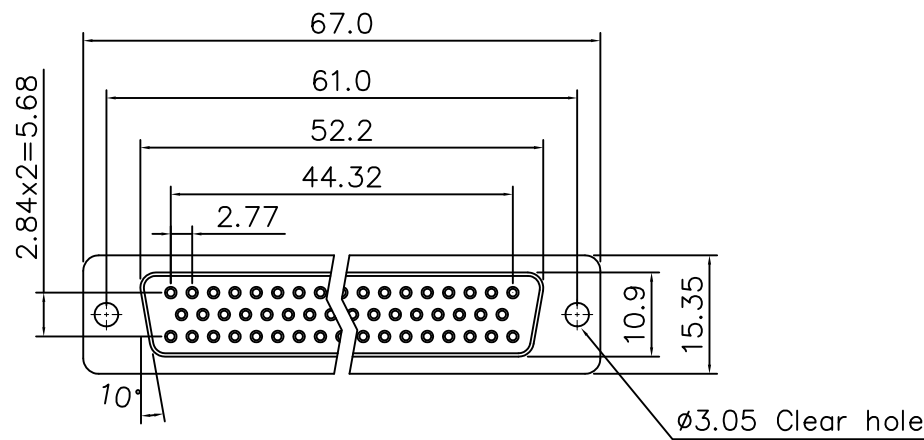
ELECTRICAL : Voltage rating 250 VAC/RMS 60HZ  
 Current Rating 3 AMP  
 Withstanding Voltage 1000 VAC/RMS 60HZ  
 Insulation resistance >1000 M Ohms  
 Contact resistance 20 mOhms

MARKING : Amphenol...(Series No.)  
 Commercial reference  
 Manufacturing date



Dimensions

Positions	A	B	D	E	F
9	30.81	24.99	16.33	11.08	19.20
15	39.20	33.30	24.70	19.39	27.70
25	53.05	47.04	38.40	33.24	41.10
37	69.40	63.50	54.80	49.86	57.30

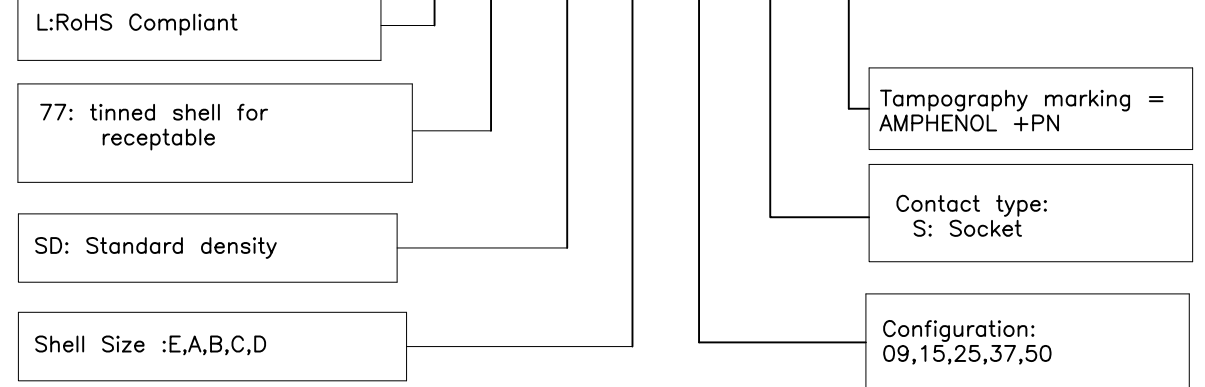


50 Positions



## PRODUCT CODE

**L 77 SD X XX S B208**



Same with L77SDXXXSR210

UNLESS OTHERWISE SPECIFIED TOLERANCES		APPROVAL		DATE
	U.S.	METRIC	DRAWN	DATE
X	+/-	0.38	Feliz.Liu	12/29/14
.X	+/-	0.25	CHECKED Tony.Tang	12/29/14
.XX	+/-	0.13	CHECKED	
FRACTIONS	+/-			
ANGLES X°	+/-	3°		
X°	+/-	1.0°		
FOR MATERIALS AND FINISHES SEE NOTES				
REMOVE SHARP EDGES				
DIMENSIONS				
U.S.		INCHES		
METRIC		MM		
ANGLE OF PROJECTION				

Amphenol		
Amphenol East Asia Limited		
TITLE D-Sub connector,Solder type		
SIZE	DRAWING NO.	REV.
A4	L77SDXXXSB208	1
SCALE	NONE	SHEET 1 OF 1

## X-ON Electronics

Largest Supplier of Electrical and Electronic Components

*Click to view similar products for [D-Sub Standard Connectors](#) category:*

*Click to view products by [Amphenol](#) manufacturer:*

Other Similar products are found below :

[56F706-005-LI](#) [56F711-015](#) [012-9507-004](#) [LV242999-142T12](#) [015-0341-000](#) [015-0372-005](#) [015-0372-008](#) [015-8755-001](#) [020419-0104](#)  
[012-0467-000](#) [012-0515-000](#) [012-9507-034](#) [012-9507-114](#) [020745-0008](#) [609-25P](#) [CT2-14S-2PCA34](#) [CT2-18-11PCAU](#) [CT6-10SL-3SC](#)  
[CT6-10SL-4SC](#) [CT6-14S-2SC](#) [CT6E14SA7SC](#) [CT6N10SL-4SSA34](#) [M83513/01-FC](#) [M83723/76W24619 L/C](#) [M85049/48-3-2F](#)  
[6STD09PCM99B70X](#) [6STD09SCM99B30X](#) [6STD09SCT99S40X](#) [6STD15PCT99S40X](#) [6STD15SCT99S40X](#) [6STF09PCM05B70X](#) [7-](#)  
[135760-9](#) [MC11E-10-6SN](#) [747552-3](#) [MD1-21PS](#) [MDM-15SCBRM7-F222](#) [MDM96517-699](#) [MDM96521-744](#) [MDVB1-21SL1](#) [MIK0-1-](#)  
[7SH003](#) [MIKQ6-7SH076](#) [MIKQ7-7PH077](#) [MIKQ7-7PH11](#) [MIKQ7-7PH32](#) [MJSV-28SL61](#) [MKJ4A1F14-55S](#) [8-135760-3](#)  
[8STD09PCM99B30X](#) [PG-KV/PV-16-GROM-SEALING](#) [GDA15P](#)