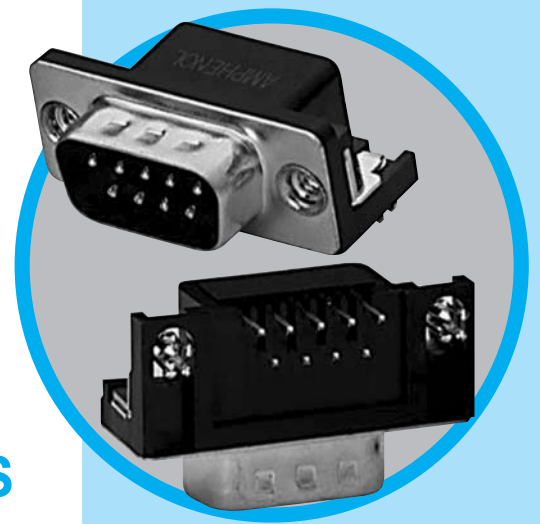


# SD

D'Sub connectors - Stamped and Formed Contacts

## RIGHT ANGLE BOARD MOUNT CONNECTORS



MAIN CHARACTERISTICS

### Specifications

- Connectors according to: MIL C24308 - NFC 93425-HE5

| Materials and Platings |  |
|------------------------|--|
| <b>Shells</b>          | Steel, tin over nickel plating   |
| <b>Insulator</b>       | Glass-filled thermoplastic, UL 94V-0   |
| <b>Pin contacts</b>    | Brass, selected gold in mating area; 2.54µm (100 µ") min.tin on termination area over 1.27µm (50µ") min.nickel       |
| <b>Socket contact</b>  | Phosphor bronze, selected gold in mating area;2.54µ(100µ") min.tin on termination area over 1.27µm (50µ") min.nickel |
| <b>Rear insert</b>     | Brass, 2.54µm (100µ") min.nickel plated  |
| <b>Boardlock</b>       | Phosphor bronze or Brass, 2.54µm (100µ") min.nickel plated   |
| <b>Screwlock</b>       | Brass, 2.54µm (100µ") min.nickel plated  |

| Electrical Data              |                                  |
|------------------------------|----------------------------------|
| <b>Current rating</b>        | 5A                               |
| <b>Voltage rating</b>        | 250V AC/ rms 50Hz                |
| <b>Withstanding voltage</b>  | 1000V AC/rms 50Hz for one minute |
| <b>Insulation resistance</b> | 1000MΩ at 500V DC                |
| <b>Contact resistance</b>    | 15mΩ max                         |

| Climatic Data                |                 |
|------------------------------|-----------------|
| <b>Operating temperature</b> | -55°C to +125°C |
| <b>Salt spray</b>            | 24 hours        |

| Mechanical Data                                    |  |              |              |              |
|--|--|--------------|--------------|--------------|
| <b>Single contact insertion force</b>              | 0.54kg (1.19lb) max  |              |              |              |
| <b>Single contact withdrawal force</b>             | 0.06kg (0.13lb) min  |              |              |              |
| <b>Mating and unmating force</b><br>Unit: kg ( lb) |  |              |              |              |
|  | A4 Style   |              | 1A Style     |              |
| No. of Cts   | Mate (max)   | Unmate (min) | Mate (max)   | Unmate (min) |
| 9  | 3.05 (6.74)  | 0.36 (0.79)  | 4.6 (10.17)  | 0.4 (0.88)   |
| 15   | 5.09 (11.24)   | 0.46 (1.01)  | 7.7 (17.02)  | 0.5 (1.10)   |
| 25   | 8.44 (18.66)   | 0.81 (1.8)   | 12.7 (28.07) | 0.8 (1.77)   |
| 37   | 12.51 (27.65)  | 1.1 (2.47)   | 17.7 (39.12) | 1.2 (2.65)   |
| <b>Standard plating thickness</b>                  | <ul style="list-style-type: none"> <li>• gold flash</li> <li>• 0.381µm (15µ") gold</li> <li>• 0.76 µm (30µ") gold</li> </ul> |              |              |              |

DESCRIPTION

The Amphenol "SD" series features precision formed contacts and boardlocks.

This series gives you Amphenol's high standards of quality and reliability to meet all of your commercial requirements.

*Economical  
right angle PCB  
mount  
connectors*

APPLICATIONS

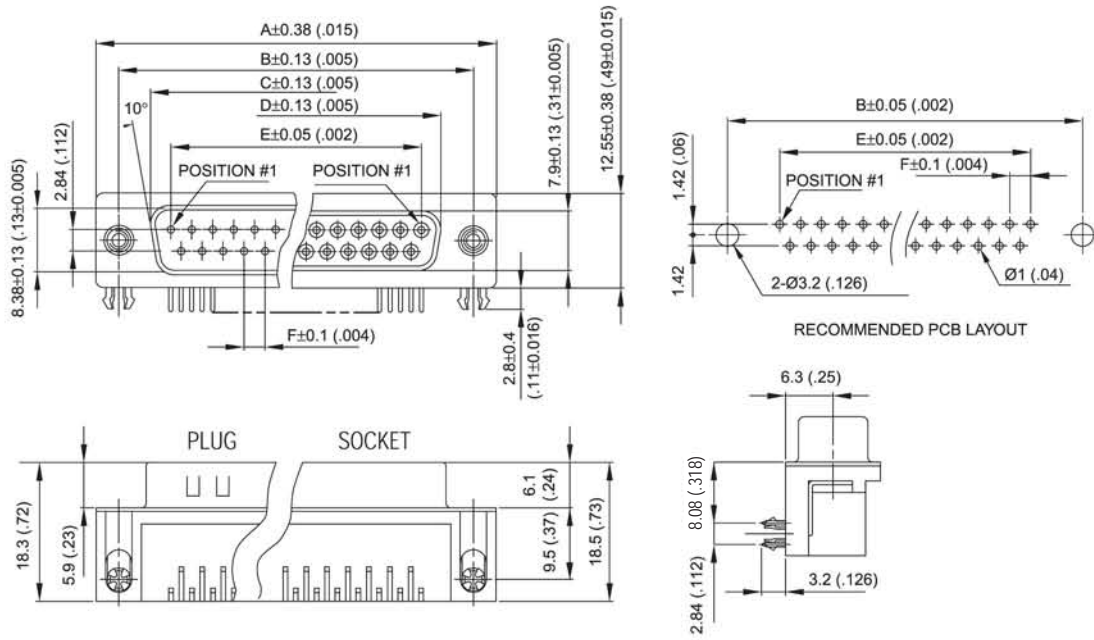
- Industrial
- Telecom
- Any industry standard I/O connections



**Amphenol**

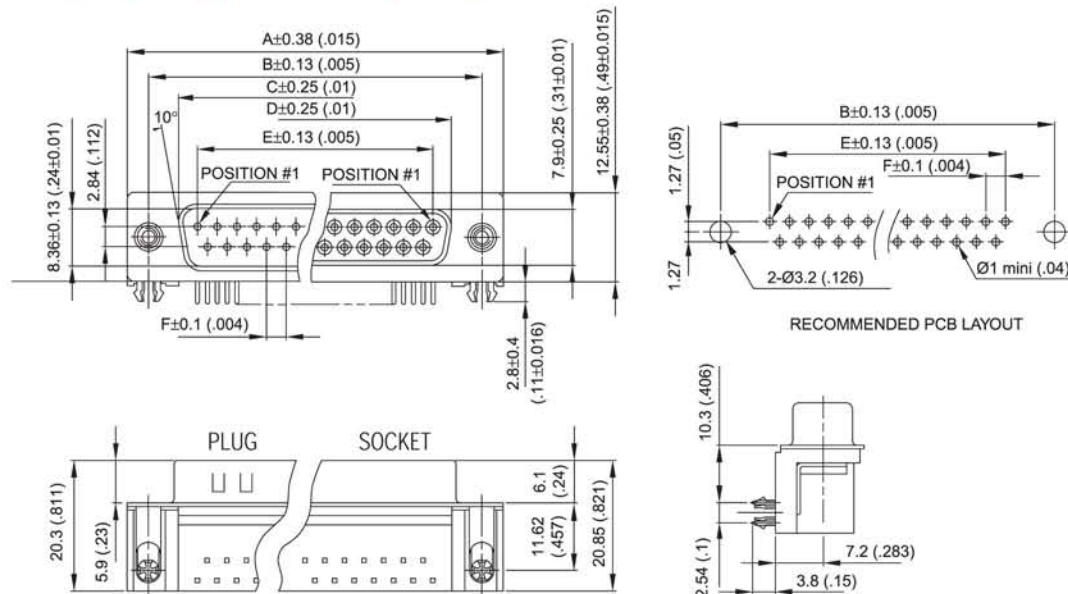
SD / E7

## A4 style (MIL Footprint)



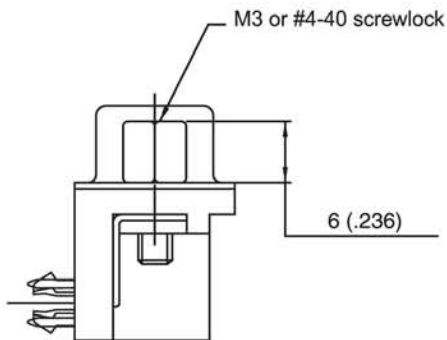
| Nb OF CONTACTS | DIMENSIONS mm (inch) |              |              |              |              |             |
|----------------|----------------------|--------------|--------------|--------------|--------------|-------------|
|                | A                    | B            | C            | D            | E            | F           |
| <b>9</b>       | 30.84 (1.21)         | 24.99 (.98)  | 16.92 (.67)  | 16.24 (.64)  | 11.09 (.44)  | 2.74 (.108) |
| <b>15</b>      | 39.14 (1.54)         | 33.32 (1.31) | 25.25 (.99)  | 24.56 (.97)  | 19.39 (.76)  | 2.74 (.108) |
| <b>25</b>      | 53.04 (2.09)         | 47.04 (1.85) | 38.96 (1.53) | 38.38 (1.51) | 33.24 (1.31) | 2.77 (.109) |
| <b>37</b>      | 69.32 (2.73)         | 63.50 (2.50) | 55.42 (2.18) | 54.76 (2.16) | 49.86 (1.96) | 2.77 (.109) |

## 1A style (European Footprint)

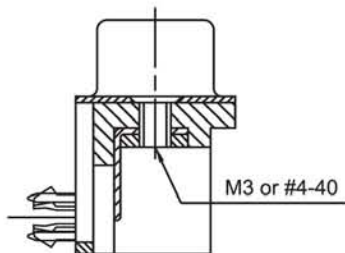


| Nb OF CONTACTS | DIMENSIONS mm (inch) |              |              |              |              |             |
|----------------|----------------------|--------------|--------------|--------------|--------------|-------------|
|                | A                    | B            | C            | D            | E            | F           |
| <b>9</b>       | 30.84 (1.21)         | 24.99 (.98)  | 16.92 (.67)  | 16.24 (.64)  | 11.96 (.43)  | 2.74 (.108) |
| <b>15</b>      | 39.1 (1.54)          | 33.32 (1.31) | 25.25 (.99)  | 24.66 (.97)  | 19.18 (.755) | 2.74 (.108) |
| <b>25</b>      | 53.09 (2.09)         | 47.04 (1.85) | 38.96 (1.53) | 38.38 (1.51) | 33.24 (1.31) | 2.77 (.109) |
| <b>37</b>      | 69.4 (2.73)          | 63.50 (2.50) | 55.42 (2.18) | 54.84 (2.16) | 49.86 (1.96) | 2.77 (.109) |

## Panel mounting option

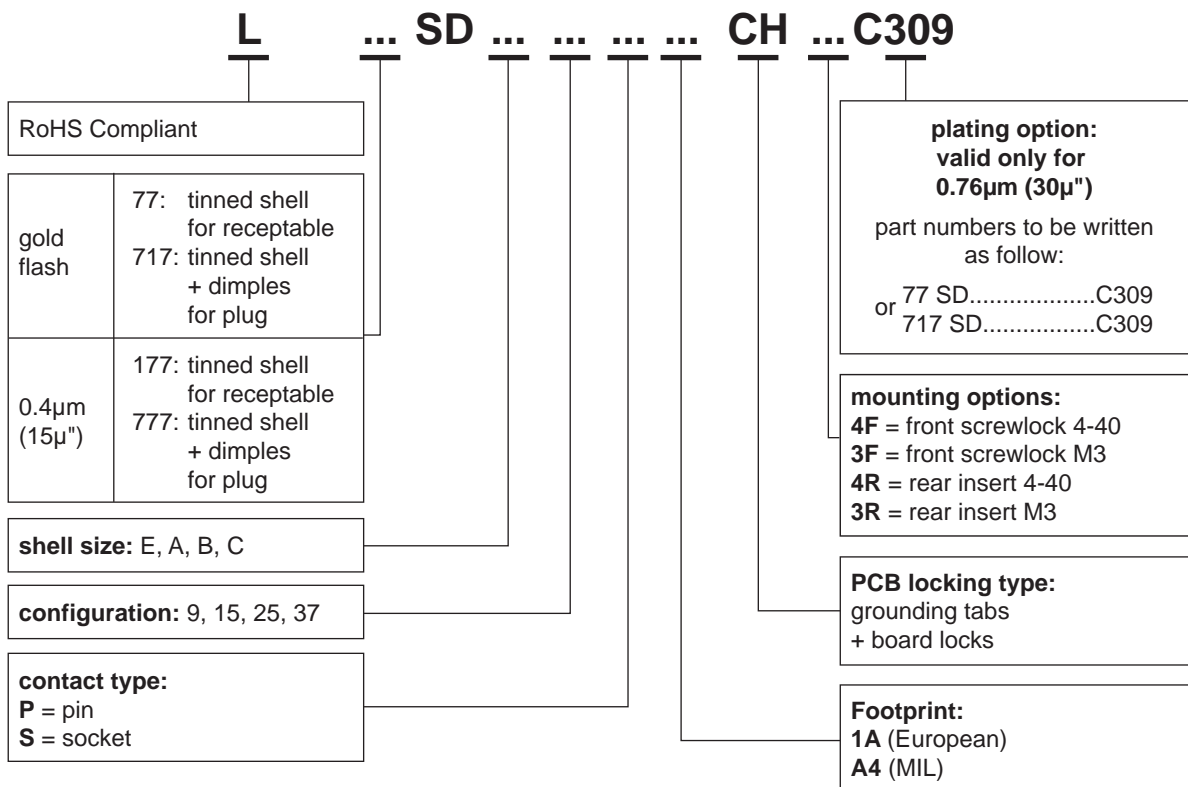


Front Female Screwlock  
**4F / 3F**



Threaded Rear Insert  
**4R / 3R**

## How to order



*For special request, please consult factory*

## X-ON Electronics

Largest Supplier of Electrical and Electronic Components

*Click to view similar products for [D-Sub Standard Connectors](#) category:*

*Click to view products by [Amphenol](#) manufacturer:*

Other Similar products are found below :

[56F706-005-LI](#) [56F711-015](#) [012-9507-004](#) [LV242999-142T12](#) [015-0341-000](#) [015-0372-005](#) [015-0372-008](#) [015-8755-001](#) [020419-0104](#)  
[012-0467-000](#) [012-9507-034](#) [012-9507-114](#) [020745-0008](#) [609-25P](#) [CT2-18-11PCAU](#) [CT6-10SL-3SC](#) [CT6-10SL-4SC](#) [CT6-14S-2SC](#)  
[CT6E14SA7SC](#) [CT6N10SL-4SSA34](#) [M83513/01-FC](#) [M83723/76W24619 L/C](#) [M85049/48-3-2F](#) [6STD09PCM99B70X](#) [6STD09SCM99B30X](#)  
[6STD09SCT99S40X](#) [6STD15PCT99S40X](#) [6STD15SCT99S40X](#) [6STF09PCM05B70X](#) [7-135760-9](#) [MC11E-10-6SN](#) [747552-3](#) [MD1-21PS](#)  
[MDM-15SCBRM7-F222](#) [MDM96517-699](#) [MDM96521-744](#) [MDVB1-21SL1](#) [MIK0-1-7SH003](#) [MIKQ6-7SH076](#) [MIKQ7-7PH077](#) [MIKQ7-](#)  
[7PH11](#) [MIKQ7-7PH32](#) [MJSV-28SL61](#) [MKJ4A1F14-55S](#) [8-135760-3](#) [8STD09PCM99B30X](#) [PG-KV/PV-16-GROM-SEALING](#) [GDA15P](#)  
[GDAY15PB](#) [980-0000-170](#)