

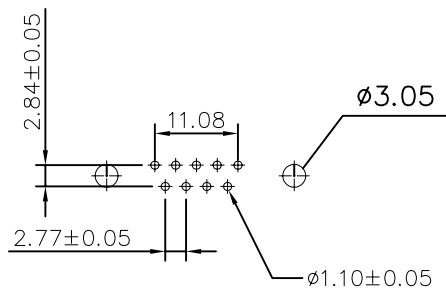
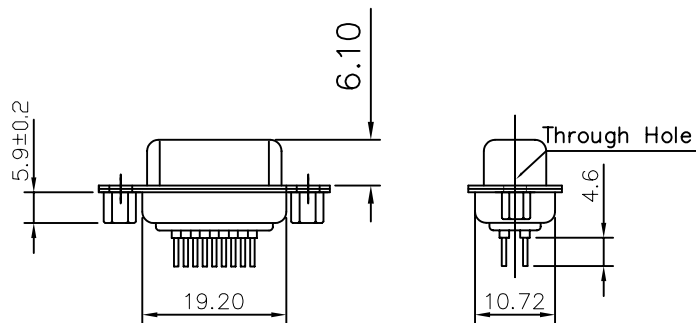
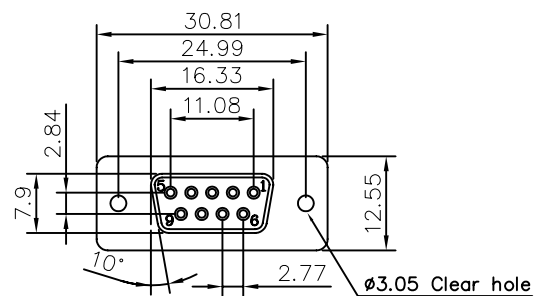
A

B

C

D

E



RECOMMENDED PCB LAYOUT



TECHNICAL DATA

D-SUBMINIATURE CONNECTORS

SHELL : Steel

Finish : Tinned

BODY : Glass filled thermoplastic.

Flame retardant to UL94 V-0

Color : Black

CONTACTS : Stamped Phosphor Bronze

Finish of contact mating area: gold over nickel

SCREWLOCKS: Brass with tin plating on nickel

ELECTRICAL: Contact Resistance : 20 milliohms
Max at 1 AMP DC.

Insulation Resistance : 1000

megohms at 500 VDC

Dielectric Withstanding Voltage :

1000 VAC/rms 60Hz for 1 minute

Current Rating : 1 AMP

Voltage Rating : 250 VAC/rms 60Hz

CLIMATIC : Temperature range -55 degree up to 105 degree

MARKING : Amphenol...(Series No.)

Commercial reference

Manufacturing date

PRODUCT CODE

L 77 SD E 09 S TA113

L: RoHS Compliance

77:Tinned Shell

Standard Density

Shell Size: B

Description:
Straight Printed
Pin Length:4.6
Stand off:5.9(Height)
Screw: Through HoleContact Type:
S=Socket

Configuration: 25

Amphenol Socapex

TOL. GEN.: +/-0.30

VOLUME:

AREA:

PLATING:

TREATMENT:

MATERIAL:

SERIES

NUMBER SERIES

Dip Straight Type

DATE

2006.06.30

DESIGNATION

Dip Straight Type 09 Pos Socket
D-SUB Connector

INTERNAL PART NUMBER

L77SDE09STA113

origin drawing

Roger

06/30/06

Lik

C

CUSTOMER

MODIFICATIONS

DRAW

DATE

APPROVE

IND.

X-ON Electronics

Largest Supplier of Electrical and Electronic Components

Click to view similar products for [D-Sub Standard Connectors](#) category:

Click to view products by [Amphenol](#) manufacturer:

Other Similar products are found below :

[56F706-005-LI](#) [56F711-015](#) [012-9507-004](#) [LV242999-142T12](#) [015-0341-000](#) [015-0372-005](#) [015-0372-008](#) [015-8755-001](#) [020419-0104](#)
[012-0467-000](#) [012-9507-034](#) [012-9507-114](#) [020745-0008](#) [609-25P](#) [CT2-18-11PCAU](#) [CT6-10SL-3SC](#) [CT6-10SL-4SC](#) [CT6-14S-2SC](#)
[CT6E14SA7SC](#) [CT6N10SL-4SSA34](#) [M83513/01-FC](#) [M83723/76W24619 L/C](#) [M85049/48-3-2F](#) [6STD09PCM99B70X](#) [6STD09SCM99B30X](#)
[6STD09SCT99S40X](#) [6STD15PCT99S40X](#) [6STD15SCT99S40X](#) [6STF09PCM05B70X](#) [7-135760-9](#) [MC11E-10-6SN](#) [747552-3](#) [MD1-21PS](#)
[MDM-15SCBRM7-F222](#) [MDM96517-699](#) [MDM96521-744](#) [MDVB1-21SL1](#) [MIK0-1-7SH003](#) [MIKQ6-7SH076](#) [MIKQ7-7PH077](#) [MIKQ7-](#)
[7PH11](#) [MIKQ7-7PH32](#) [MJSV-28SL61](#) [MKJ4A1F14-55S](#) [8-135760-3](#) [8STD09PCM99B30X](#) [PG-KV/PV-16-GROM-SEALING](#) [GDA15P](#)
[GDAY15PB](#) [980-0000-170](#)