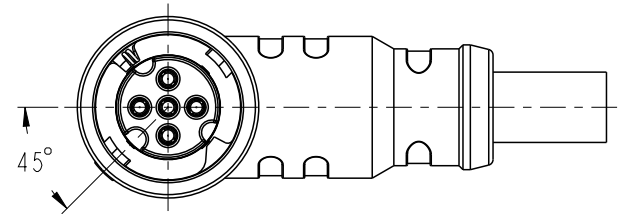
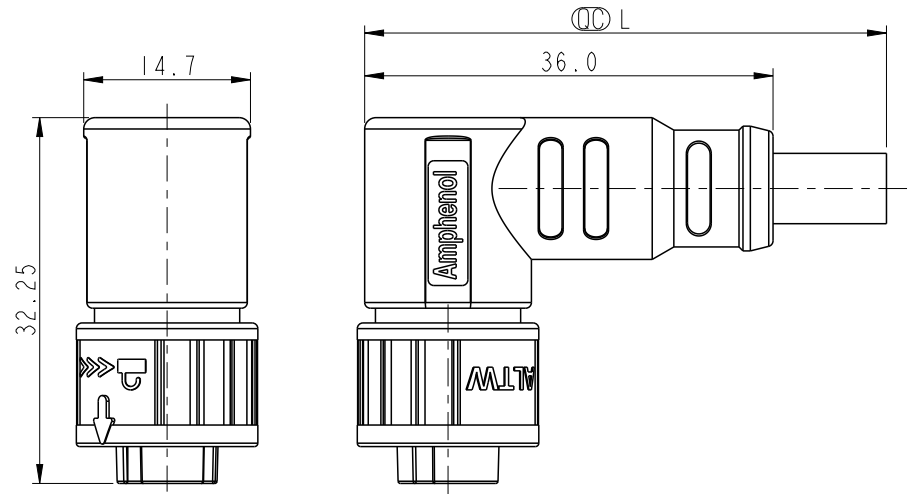
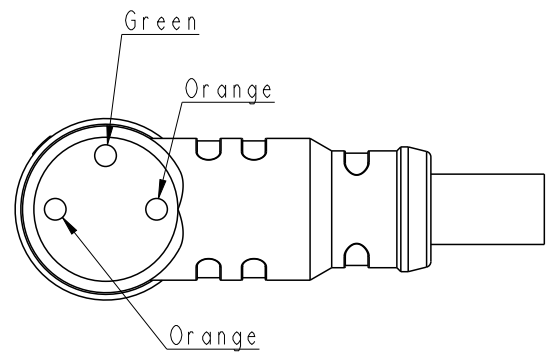
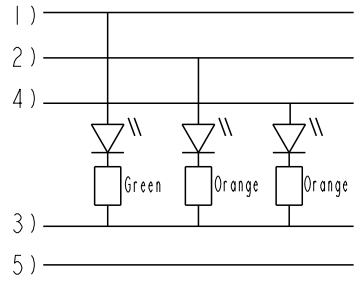


THIS DOCUMENT IS SUBJECT TO CHANGE WITHOUT NOTICE. IT IS CONFIDENTIAL AND A PROPERTY OF Amphenol LTW. DISCLOSURE TO THIRD PARTY HAS TO BE AUTHORIZED BY Amphenol LTW.

REV.	ECN NO.	DATE	SIGN	DESCRIPTION
A		2021-05-26	Sam Ho	Rev.01 to A, Initial Released

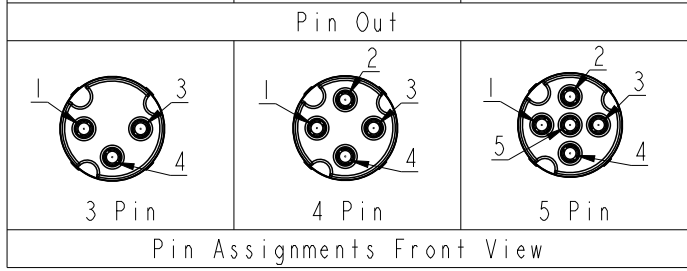
5 Pin	PVC	6.2	20	LAD-05BFFM-QR8DXX
4 Pin		6.0		LAD-04BFFM-QR8DXX
3 Pin		5.5		LAD-03BFFM-QR8DXX
Contacts	Cable Jacket	Cable OD	AWG	Item No.



Note:

- \*  $\varnothing$  Important Dimension
- \* Waterproof Rate: IPX8, Mated 1m/24h
- \* Connector
  - Housing: Thermoplastic, Black
  - Pin: Copper Alloy, Gold Plated
  - O-Ring: Rubber, Black
  - Nut: Thermoplastic, Black
  - Outer Mold: Thermoplastic, Transparent Black.
- \* Cable: UL21388, PVC Jacket, Black
- \* Cable Length Tolerance:
  - 1M: +50/-0 mm
  - 1M < L ≤ 3M: +100/-0 mm
  - 3M < L ≤ 5M: +150/-0 mm
  - 5M < L ≤ 10M: ±100 mm
  - 10M < L ≤ 20M: ±200 mm
  - 20M < L ≤ 30M: ±300 mm
  - 30M < L ≤ 99M: ±500 mm

5	-	-	5	-	-	5	Yellow	黃
4	Brown	棕	4	Orange	橘	4	Orange	橘
3	Red	紅	3	Red	紅	3	Red	紅
2	-	-	2	Brown	棕	2	Brown	棕
1	Black	黑	1	Black	黑	1	Black	黑
Pin #	Wire		Pin #	Wire		Pin #	Wire	



LAD- XX BFFM-QR8D XX

No. Of Pin

XX: L=0~99Meters  
 01: L=1Meters  
 02: L=2Meters  
 ...  
 99: L=99Meters

UNIT:mm		TITLE
TOLERANCE	$\pm 0.50\text{mm}$	XLOK, LED-A-5A, 05P, CABLE W/O SR F, F, MOLDING, PUSH LOCK
SCALE	3:2	SIZE A4
REV.	A	SHEET 1 OF 1
WC-REV.		$\varnothing$ Inspection item

Amphenol LTW		ITEM NO.	DRAWN BY	DATE
安費諾亮泰企業股份有限公司		DWG NO.	Sam Ho	2021-05-11
		CUSTOMER	Checked By	DATE
		ALTW	Fred Lee	2021-05-11
			APPROVED BY	DATE
			Fred Lee	2021-05-11

## X-ON Electronics

Largest Supplier of Electrical and Electronic Components

*Click to view similar products for [Sensor Cables / Actuator Cables](#) category:*

*Click to view products by [Amphenol](#) manufacturer:*

Other Similar products are found below :

[60963](#) [60964](#) [703000D02F2002](#) [703000D02F300](#) [703001D02F0602](#) [703001D02F1201](#) [703001D02F300](#) [704000D02F120](#) [MDM21SH001F](#)  
[773032K02F030](#) [802027107404-1](#) [802027213811-1](#) [804001A09M150](#) [805001A09M0502](#) [84914-0235](#) [84914-0237](#) [885030A09M010](#)  
[885030A09M020](#) [8R4006A18M010](#) [1200651332](#) [1200651713](#) [1200660844](#) [1200660845](#) [1200661173](#) [1200680071](#) [1200720053](#)  
[1200720081](#) [1200720099](#) [1200720217](#) [1200800231](#) [1200860125](#) [1200870123](#) [1200980102](#) [1200650298](#) [1200660183](#) [1200660782](#)  
[1200660849](#) [1200661295](#) [1200661297](#) [1200661342](#) [1200661343](#) [1200670220](#) [1200680331](#) [1200720252](#) [1200720255](#) [1200720597](#)  
[1200730184](#) [1200860344](#) [1200870359](#) [1200870643](#)