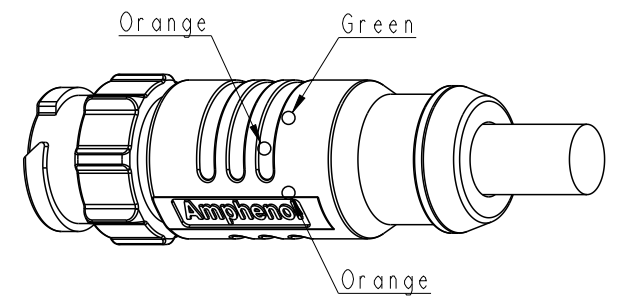
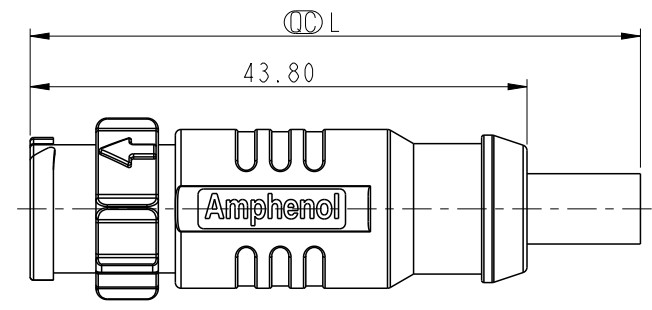
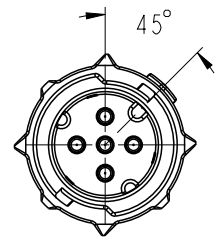
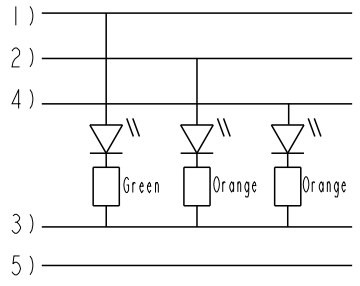


THIS DOCUMENT IS SUBJECT TO CHANGE WITHOUT NOTICE. IT IS CONFIDENTIAL AND A PROPERTY OF Amphenol LTW. DISCLOSURE TO THIRD PARTY HAS TO BE AUTHORIZED BY Amphenol LTW.

REV.	ECN NO.	DATE	SIGN	DESCRIPTION
A		2021-05-26	Sam Ho	Rev.01 to A, Initial Released

5 Pin	PVC	6.2	20	LAD-05BMMM-QL8DXX
4 Pin		6.0		LAD-04BMMM-QL8DXX
3 Pin		5.5		LAD-03BMMM-QL8DXX
Contacts	Cable Jacket	Cable OD	AWG	Item No.



Note:

- * \varnothing Important Dimension
- * Waterproof Rate: IPX8, Mated 1m/24h
- * Connector
 - Housing: Thermoplastic, Black
 - Pin: Copper Alloy, Gold Plated
 - Outer Mold: Thermoplastic, Transparent Black.
- * Cable: UL21388, PVC Jacket, Black
- * Cable Length Tolerance:

	1M: +50/-0 mm
1M < L ≤ 3M:	+100/-0 mm
3M < L ≤ 5M:	+150/-0 mm
5M < L ≤ 10M:	±100 mm
10M < L ≤ 20M:	±200 mm
20M < L ≤ 30M:	±300 mm
30M < L ≤ 99M:	±500 mm

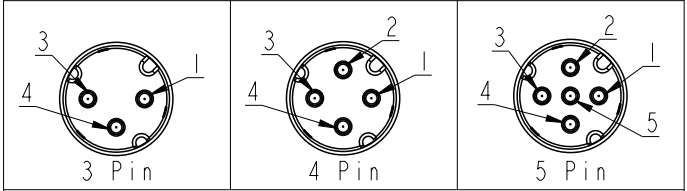
LAD- XX BMMM-QL8D XX

No. Of Pin

XX: L=0~99Meters
 01: L=1Meters
 02: L=2Meters
 :
 99: L=99Meters

5	-	5	-	5	Yellow	黃
4	Brown	4	Orange	4	Orange	橘
3	Red	3	Red	3	Red	紅
2	-	2	Brown	2	Brown	棕
1	Black	1	Black	1	Black	黑
Pin #	Wire	Pin #	Wire	Pin #	Wire	

Pin Out



Pin Assignments Front View

UNIT:mm		TITLE	XLOK, LED-A-5A, 05P, CABLE W/O SR M, M, MOLDING, PUSH LOCK		
TOLERANCE	±0.50mm	SCALE	3:2	SIZE	A4
		REV.	A	WC-REV.	
				\varnothing	Inspection item

Amphenol LTW
 安費諾亮泰企業股份有限公司

ITEM NO	DRAWN BY	DATE
	Sam Ho	2021-05-11
DWG NO	CHECKED BY	DATE
LAD-XXBMMM-QL8DXX	Fred Lee	2021-05-11
CUSTOMER	APPROVED BY	DATE
ALTW	Fred Lee	2021-05-11

X-ON Electronics

Largest Supplier of Electrical and Electronic Components

Click to view similar products for [Sensor Cables / Actuator Cables](#) category:

Click to view products by [Amphenol](#) manufacturer:

Other Similar products are found below :

[60963](#) [60964](#) [703000D02F2002](#) [703000D02F300](#) [703001D02F0602](#) [703001D02F1201](#) [703001D02F300](#) [704000D02F120](#) [MDM21SH001F](#)
[773032K02F030](#) [802027107404-1](#) [802027213811-1](#) [804001A09M150](#) [805001A09M0502](#) [84914-0235](#) [84914-0237](#) [885030A09M010](#)
[885030A09M020](#) [8R4006A18M010](#) [1200651332](#) [1200651713](#) [1200660844](#) [1200660845](#) [1200661173](#) [1200680071](#) [1200720053](#)
[1200720081](#) [1200720099](#) [1200720217](#) [1200800231](#) [1200860125](#) [1200870123](#) [1200980102](#) [1200650298](#) [1200660183](#) [1200660782](#)
[1200660849](#) [1200661295](#) [1200661297](#) [1200661342](#) [1200661343](#) [1200670220](#) [1200680331](#) [1200720252](#) [1200720255](#) [1200720597](#)
[1200730184](#) [1200860344](#) [1200870359](#) [1200870643](#)