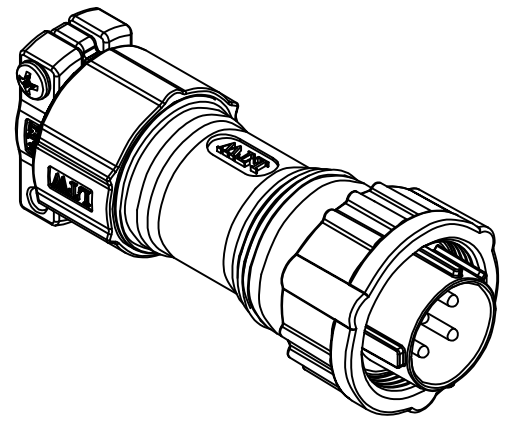
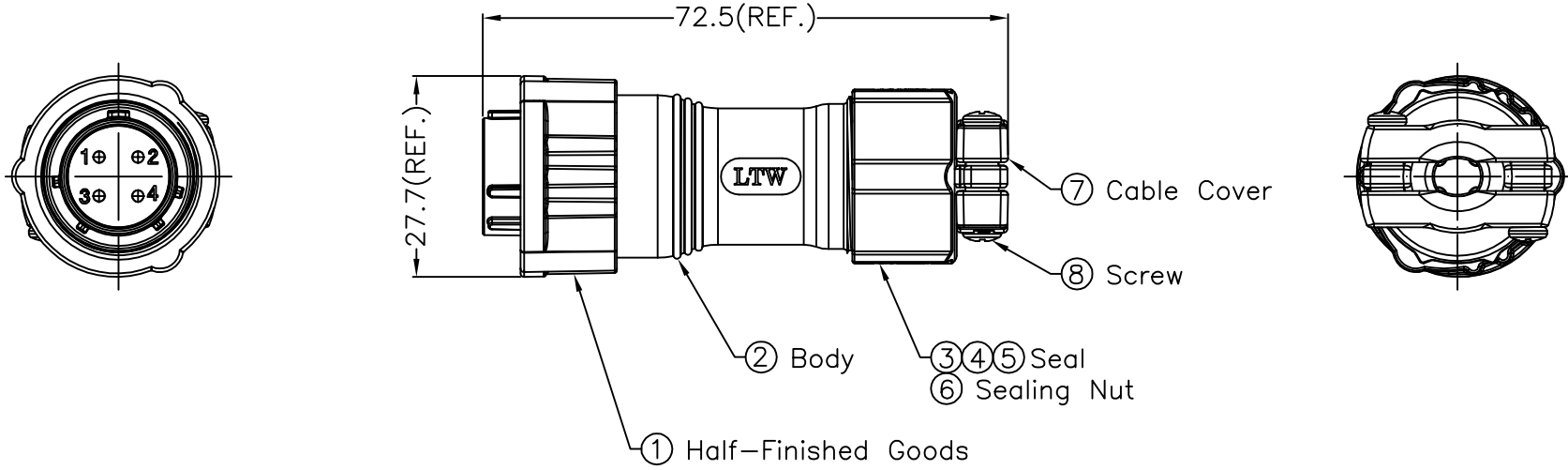


REV.	ECN NO.	DATE	SIGN	DESCRIPTION
A	Initial Release	2010/01/19	Jessie	Form Rev.02 To A
B	LEN-040145	2010/04/16	Jessie	Modify Pin Plated
C	LE3-060084	2010/05/25	Jessie	Modify Note and Shell Plated



Note:

- * Ⓞ Important Dimension.
- * Waterproof Rate: IP68.
- △ IP68: 1M depth of water in 24 Hrs. (防水等級: IP68)
IP68: 水深一米測試 24 小時.
- * Cable OD: $\phi 5.5\text{mm} \sim \phi 12.5\text{mm}$.
- * Gasket: Silicone ,Gray.
- △ * Shell: Zinc Alloy ,Ni Plated ,Silver.
- △ * Male Pin: Copper Alloy ,Silver Plated.
- * Insulation: Nylon ,Black.
- △ ⑨ * One Set Assembled in one PE Bag.

UNIT:mm		TITLE Circular II Series 4 Pin Assy		Amphenol LTW		ITEM NO LB20-04BFMA-SL8001	DRAWN BY Jessie	DATE 2010/05/25
TOLERANCE .X ±0.25 .XX ±0.1 .XXX ±0.05 ANGLES ±1°		SCALE Free	SHEET 1 OF 1	安費諾亮泰企業股份有限公司		DWG NO LB20-04BFMA-SL8001	CHECKED BY Jimmy	DATE 2010/05/27
REV. C	SIZE A4	Ⓞ :Inspection Item		CUSTOMER ALTW		APPROVED BY Win	DATE 2010/06/01	8 FMWIG702-01-01A2

THIS DOCUMENT IS SUBJECT TO CHANGE WITHOUT NOTICE. IT IS CONFIDENTIAL AND A PROPERTY OF Amphenol LTW. DISCLOSURE TO THIRD PARTY HAS TO BE AUTHORIZED BY Amphenol LTW.

X-ON Electronics

Largest Supplier of Electrical and Electronic Components

Click to view similar products for [Circular Metric Connectors](#) category:

Click to view products by [Amphenol](#) manufacturer:

Other Similar products are found below :

[600X518037X](#) [6STD15PCR99B70A](#) [8R4000A16M020](#) [8R5000A16M005](#) [1200910002](#) [1203580030](#) [1200910008](#) [1200910011](#) [1300140094](#)
[130203-0054](#) [1300140026](#) [1300150099](#) [1-3637-600-5205](#) [1612618](#) [21036836414](#) [8R4006A16M010](#) [1R3006A20M005](#) [41-40011](#) [42-00006](#)
[42-01015](#) [4-22279-4](#) [4-22281-1](#) [4-22284-9](#) [43-00113](#) [43-01203](#) [41-40013](#) [42-00008](#) [43-00343](#) [43-01026](#) [43-01162](#) [43-01173](#) [43-10000](#)
[XS3P-M421-2](#) [600X518050X](#) [8R5006A16M020](#) [8R5006A16M005](#) [8R4000A16M010](#) [6-22279-3](#) [1605332](#) [N03FA03144](#) [1300140077](#) [43-](#)
[16213](#) [43-01338](#) [XS2RD4265](#) [XS2R-D426-1](#) [XS8A-0441](#) [859RD04-103R004](#) [860RD04-113R004](#) [860RD04-213R004](#) [1-213245-2](#)