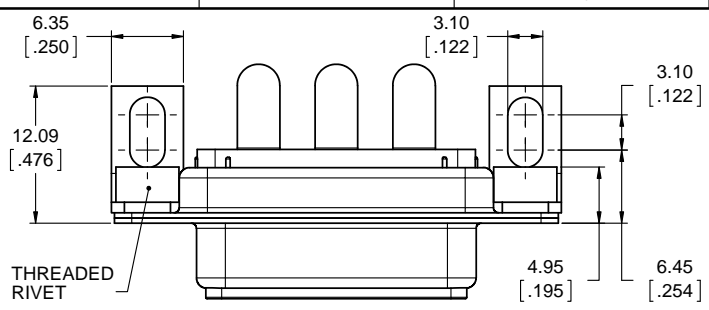


REVISIONS			
REV	DESCRIPTION, ECN, EAR NO.	DATE	APP'D
A	PROPOSAL DRAWING	NOV18/11	A.G
B	ADD UL FILE NO	JUL22/13	S.M.



**ORDERING CODE:** LCC17 - A3W3 P A - 2 N 0

**SERIES**  
LCC17 = HIGH CURRENT D-SUB

**ARRANGEMENT**  
A = SHELL SIZE  
3W3 = 3 POSITION, 3 POWER

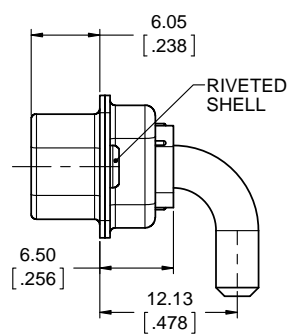
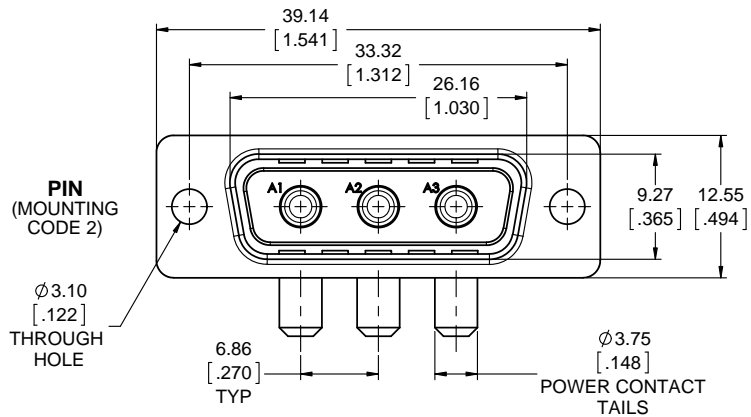
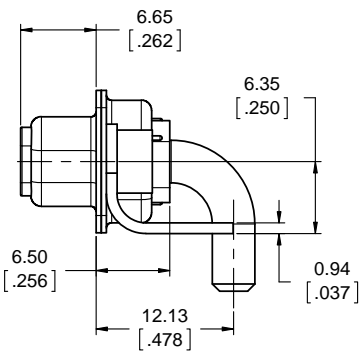
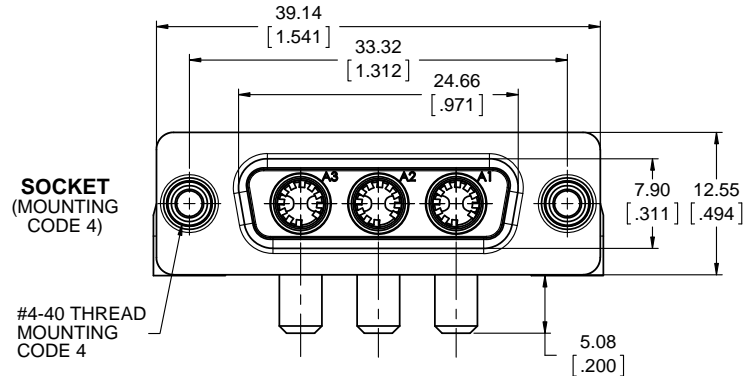
**CONNECTOR STYLE**  
P = PIN  
S = SOCKET

**TERMINATION**  
A = RIGHT ANGLE PCB TAIL  
3.75mm [.148"] DIA;

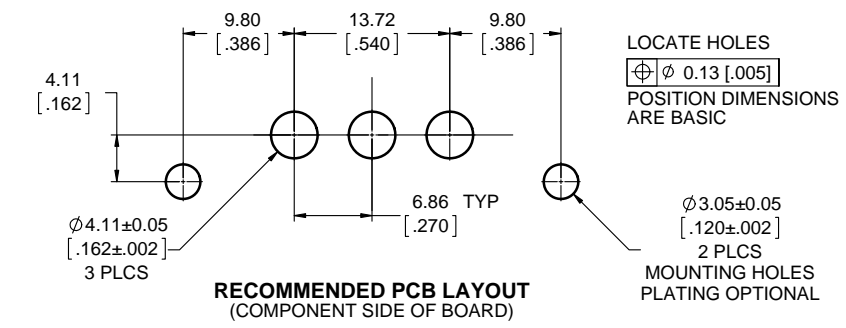
**MOUNTING**  
2 = 3.10mm [.122] DIA THROUGH HOLE  
4 = #4-40 UNC THREAD WITH BRACKET

**FILTER CAPACITANCE**  
N = NO FILTERS

**MODIFIER**  
0 = STANDARD



**MOUNTING OPTIONS AVAILABLE FOR PIN OR SOCKET CONNECTOR**



- NOTES:**
- MATERIALS: ALL MATERIALS ARE RoHS COMPLIANT PER EU DIRECTIVE 2011/65/EU AND AMENDMENTS.
    - SHELLS: STAMPED STEEL, TIN OVER NICKEL PLATED
    - INSULATOR: ENGINEERING THERMOPLASTIC, GLASS REINFORCED, HIGH TEMPERATURE RESISTANT, UL FLAMMABILITY RATING 94V-0, BLACK
    - PIN CONTACTS: COPPER ALLOY PLATED WITH 0.76µm (30µ") GOLD OVER 1.27µm (50µ") NICKEL
    - SOCKET CONTACTS: BERYLLIUM COPPER MATING GRID, COPPER ALLOY BALANCE PLATED WITH 0.76µm (30µ") GOLD OVER 1.27µm (50µ") NICKEL ON THE MATING AREA
    - BOARDLOCK: COPPER ALLOY, TIN PLATED
    - MOUNTING HARDWARE: STEEL OR COPPER ALLOY, TIN OR NICKEL PLATED
  - ELECTRICAL CHARACTERISTICS
    - CURRENT RATING: 55 A PER CONTACT
    - CONTACT RESISTANCE: 0.25 MILLIOHMS MAX
    - DIELECTRIC WITHSTANDING VOLTAGE: 1500V DC
    - OPERATING TEMPERATURE: -40 °C TO +105 °C
  - UL FILE NUMBER E64911.

UNLESS SPECIFIED OTHERWISE	DRAWN	S.CAELERS	NOV16/11
PRIMARY UNITS MILLIMETERS	CHECKED		
SECONDARY UNITS INCHES	M.E. APP'D		
REFERENCE IN PARENTHESES	Q.A. APP'D		
GENERAL TOLERANCES	DWG APPR.	A.GREEN	NOV18/11
1 DECIMAL PLACE	ENG. REL. NO.		
2 DECIMAL PLACES	REF.		
3 DECIMAL PLACES	THIRD ANGLE PROJECTION		
ANGULAR DEGREES	DO NOT SCALE DRAWING		

**Amphenol Canada Corp.**  
www.amphenolcanada.com

**LCC17 COOLPOWER D-SUB CONNECTOR, 3W3 ARRANGEMENT, Ø3.75mm [.148"] R/A PCB TAIL, RoHS COMPLIANT**

DWG. NO. **P-LCC17-A3W3XA-XN0** REV **B**

CODE ID NO. 03554 DWG SIZE: X SCALE: 3:1 SHEET 1 OF 1

## X-ON Electronics

Largest Supplier of Electrical and Electronic Components

*Click to view similar products for [D-Sub Mixed Contact Connectors](#) category:*

*Click to view products by [Amphenol](#) manufacturer:*

Other Similar products are found below :

[790-025SF-5P5NMN](#) [790-025SJ-7P7NML](#) [DAM-7W2PC](#) [L717TWB5W5P3R](#) [L717TWB5W5PRM84](#) [L717TWP3W3P](#)  
[3003W3PXX56N40X](#) [3005W5PXX99A30X](#) [3005W5PXX99E40X](#) [3005W5SXX99A30X](#) [3005W5SXX99E40X](#) [3013W6SCM99A10X](#)  
[3036W4PCM41A10X](#) [3036W4SCM99A10X](#) [FCE17-E2W2SS-2N0](#) [212522-7](#) [PII-468-1](#) [3003W3PXX43A10X](#) [3003W3SXX56N40X](#)  
[3005W5PXX88N40X](#) [3007W2PAR71E20X](#) [3008W8SXX57A30X](#) [3009W4PCT57P20X](#) [3011W1SXX99A10X](#) [3013W3PCM99A10X](#)  
[3017W2SAR69C40X](#) [321WA4PXK99A60X](#) [3F3SSC22S41A30X](#) [L717TWA7W2PP2SY3R](#) [DBM-17W2S-1A8N-A190-A197-1](#)  
[421WA4PCR50E20X](#) [09691009009](#) [09691100022500](#) [09693009176](#) [09692009147](#) [09693909015](#) [6017W2PCM41B30X](#) [790-061SH-](#)  
[36W2NMNA](#) [790-044SE-7P3MNPB](#) [790-043PE-11P2MPA](#) [790-043PB-2P2MPB](#) [790-029SB-2P2MEPA](#) [790-028PK-9P9MPA](#) [790-028PH-](#)  
[54P2MGA](#) [790-028PH-36P2MNA](#) [790-028PB-2P2MPA](#) [790-027SH-5W5MTEP](#) [790-026PH-54P2ZNUG](#) [790-026PH-54P2MP](#) [790-026PH-](#)  
[36P2ZNUG](#)