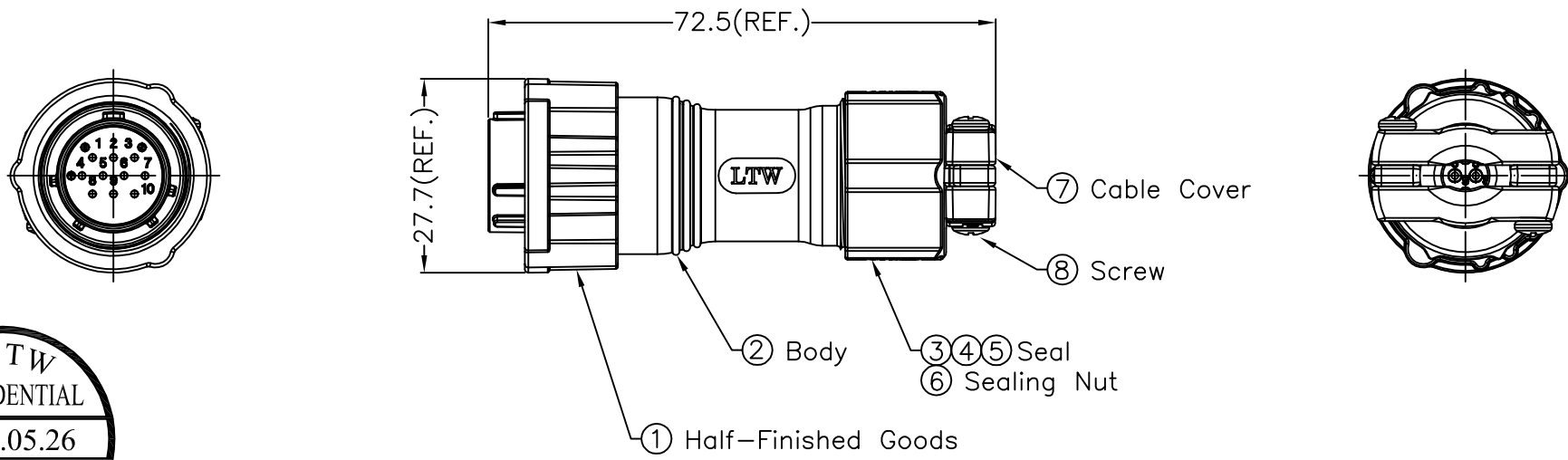
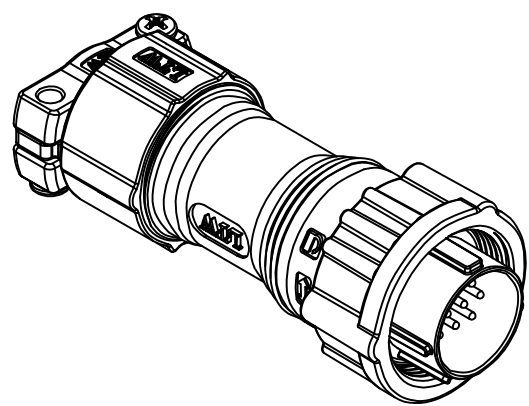


REV.	ECN NO.	DATE	SIGN	DESCRIPTION
A	Initial Release	2010/03/17	Jessie	Form Rev.01 To A
B	LE3-060089	2010/05/26	Jessie	Modify Note and Shell Plated



ALTW
CONFIDENTIAL
2010.05.26
R&D DEPT.



ALTW
DCC. DEPT.
CONFIDENTIAL
2010.06.10
ISSUED

- Note:
- * @C Important Dimension.
 - * Waterproof Rate: IP68.
 - △ IP68: 1M depth of water in 24 Hrs.
(防水等級: IP68)
IP68: 水深一米測試 24 小時 .
 - * Cable OD: $\phi 5.5\text{mm} \sim \phi 12.5\text{mm}$.
 - * Gasket: Silicone ,Gray.
 - △ * Shell: Zinc Alloy ,Ni Plated ,Silver.
 - * Male Pin: Copper Alloy ,Silver Plated.
 - * Insulation: Nylon ,Black.
 - ⑨ * One Set Assembled in one PE Bag.

UNIT:mm		TITLE Circular II Series 10 Pin Assy	Amphenol LTW		ITEM NO LD20-10BFMA-SL8001	DRAWN BY Jessie	DATE 2010/05/26
TOLERANCE .X ±0.25 .XX ±0.1 .XXX ±0.05 ANGLES ±1°	SCALE Free	SHEET 1 OF 1	安費諾亮泰企業股份有限公司		DWG NO LD20-10BFMA-SL8001	CHECKED BY Jimmy	DATE 2010/05/27
REV. B	SIZE A4	QC : Inspection Item			CUSTOMER ALTW	APPROVED BY Win	DATE 2010/06/01

THIS DOCUMENT IS SUBJECT TO CHANGE WITHOUT NOTICE. IT IS CONFIDENTIAL AND A PROPERTY OF Amphenol LTW. DISCLOSURE TO THIRD PARTY HAS TO BE AUTHORIZED BY Amphenol LTW.

X-ON Electronics

Largest Supplier of Electrical and Electronic Components

Click to view similar products for [Circular Metric Connectors](#) category:

Click to view products by [Amphenol](#) manufacturer:

Other Similar products are found below :

[600X518037X](#) [MA1EAF1200](#) [6STD15PCR99B70A](#) [8R4000A16M020](#) [8R4A00A18M020](#) [8R5000A16M005](#) [1200910008](#) [1200910011](#)
[1300140094](#) [130203-0054](#) [1300150099](#) [RF-12S1N8A90DU](#) [1-3637-600-5205](#) [1612618](#) [8R4006A16M010](#) [8R5006A18A120](#) [1604232](#)
[1R3006A20M005](#) [RF-12P1N8A80DU](#) [RF-12P1N8A90DU](#) [41-01016](#) [41-40011](#) [41-40017](#) [42-01015](#) [4-22279-4](#) [4-22281-1](#) [4-22284-9](#) [43-](#)
[00002](#) [43-01166](#) [41-40005](#) [41-40016](#) [43-00161](#) [43-01191](#) [XS3P-M421-2](#) [600X518050X](#) [SACC-DSI-FS-5P-PG9-L180 SC](#) [8R4006A16A120](#)
[8R4000A16M010](#) [RKC 50/16](#) [1R3004A20A1201](#) [6-22279-3](#) [N03FA03144](#) [1300140077](#) [XS8A-0441](#) [859RD04-103R004](#) [860RD04-113R004](#)
[860RD04-213R004](#) [860-X08-213R004](#) [1-213245-2](#) [2273142-2](#)