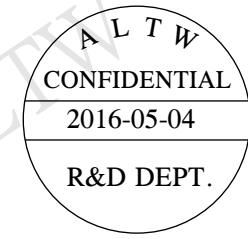
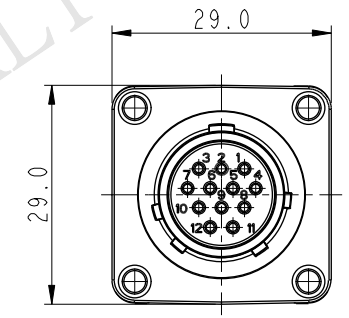
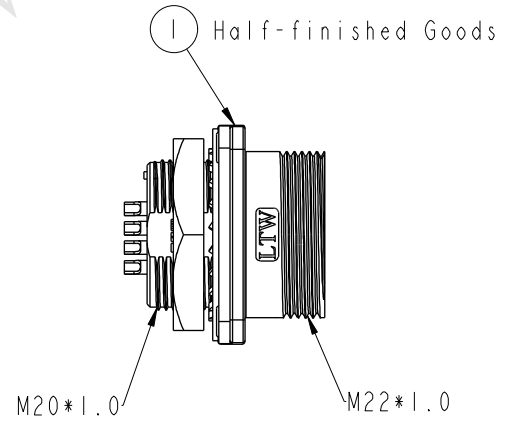
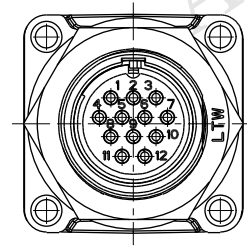
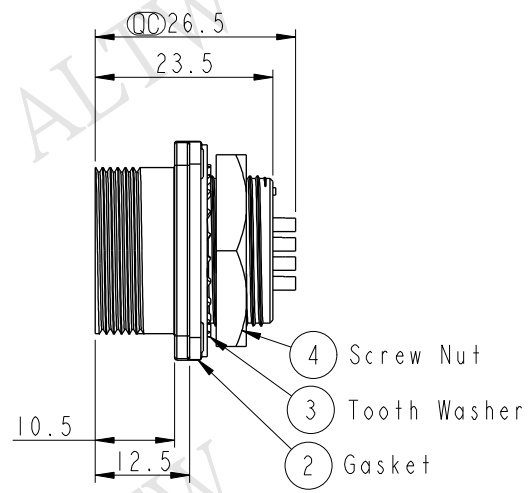
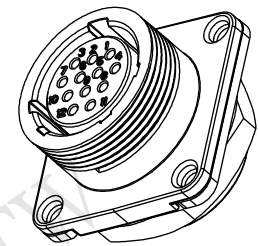
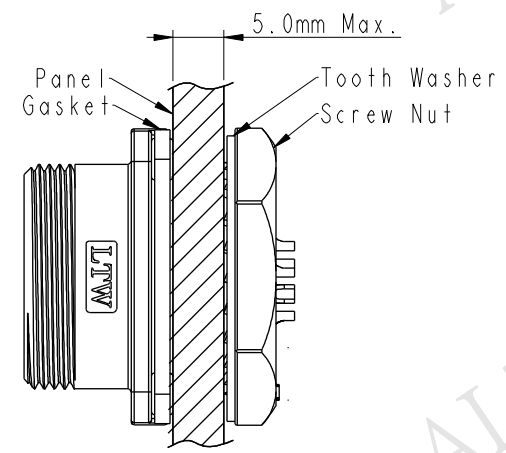


THIS DOCUMENT IS SUBJECT TO CHANGE WITHOUT NOTICE. IT IS CONFIDENTIAL AND A PROPERTY OF Amphenol LTW. DISCLOSURE TO THIRD PARTY HAS TO BE AUTHORIZED BY Amphenol LTW.

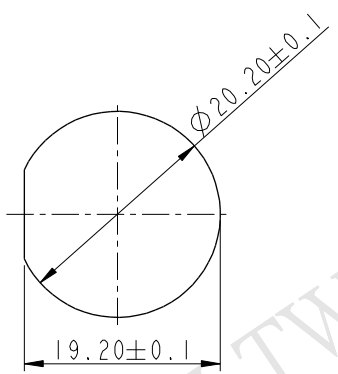
REV.	ECN NO.	DATE	SIGN	DESCRIPTION
A	Initial Release	2012/10/22	Ruru	LD20-12RMFS-SS8001 To LD20-12PMFS-SN8001
B	LE31650235	2016/05/04	Vicky	Update Note



Assembly Instruction



- Note:**
- \*  $\varnothing$  Important Dimension.
  - \* Waterproof Rate: IP68  
IP68: 1M depth of water in 24 Hrs.  
(防水等級: IP68)  
IP68: 水深一米測試 24 小時
  - \* Shell: Zinc Alloy#3, Ni Plated, Silver.
  - \* Insulation: Nylon, Black
  - \* Female Pin: Copper Alloy, Silver Plated
  - \* Gasket: Silicone, Gray
  - \* Recommended Panel Thickness 5.0mm(Max).



Recommend Panel Cut-Out

UNIT: mm		TITLE		ITEM NO.		DRAWN BY		DATE	
		PANEL NUT 12PIN M CONN F PIN		LD20-12PMFS-SN8001		Vicky		2016-05-04	
TOLERANCE		SCALE	SIZE	SHEET	OF	CHECKED BY	DATE		
.X ±0.25		1:1	A4	1	1	Rita	2016-05-04		
.XX ±0.1		REV.	WC-REV.	Inspection item		APPROVED BY	DATE		
.XXX ±0.05		B	A.2			Lisa	2016-05-04		
ANGLES ±1°				CUSTOMER					
				ALTW					

**Amphenol LTW**  
安費諾亮泰企業股份有限公司

## X-ON Electronics

Largest Supplier of Electrical and Electronic Components

*Click to view similar products for [Circular Metric Connectors](#) category:*

*Click to view products by [Amphenol](#) manufacturer:*

Other Similar products are found below :

[600X518037X](#) [6STD15PCR99B70A](#) [8R4000A16M020](#) [8R5000A16M005](#) [1200910002](#) [1203580030](#) [1200910008](#) [1200910011](#) [1300140094](#)  
[130203-0054](#) [1300140026](#) [1300150099](#) [1-3637-600-5205](#) [1612618](#) [21036836414](#) [8R4006A16M010](#) [1R3006A20M005](#) [41-40011](#) [42-00006](#)  
[42-01015](#) [4-22279-4](#) [4-22281-1](#) [4-22284-9](#) [43-00113](#) [43-01203](#) [41-40013](#) [42-00008](#) [43-00343](#) [43-01026](#) [43-01162](#) [43-01173](#) [43-10000](#)  
[XS3P-M421-2](#) [600X518050X](#) [8R5006A16M020](#) [8R5006A16M005](#) [8R4000A16M010](#) [6-22279-3](#) [1605332](#) [N03FA03144](#) [1300140077](#) [43-](#)  
[16213](#) [43-01338](#) [XS2RD4265](#) [XS2R-D426-1](#) [XS8A-0441](#) [859RD04-103R004](#) [860RD04-113R004](#) [860RD04-213R004](#) [1-213245-2](#)