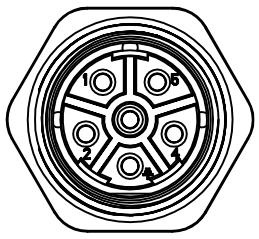
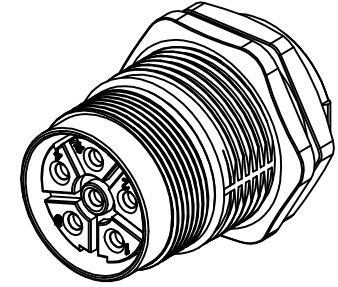
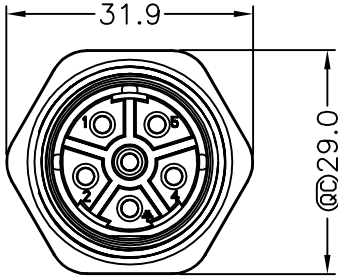
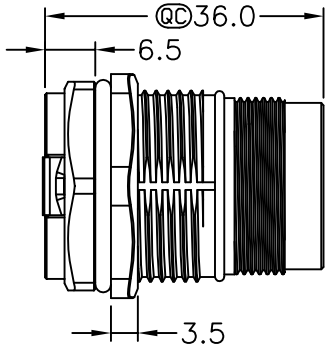
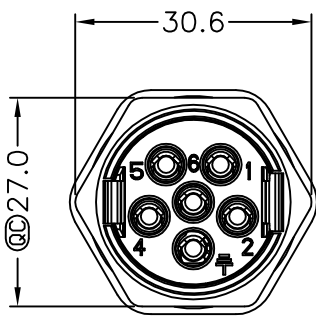
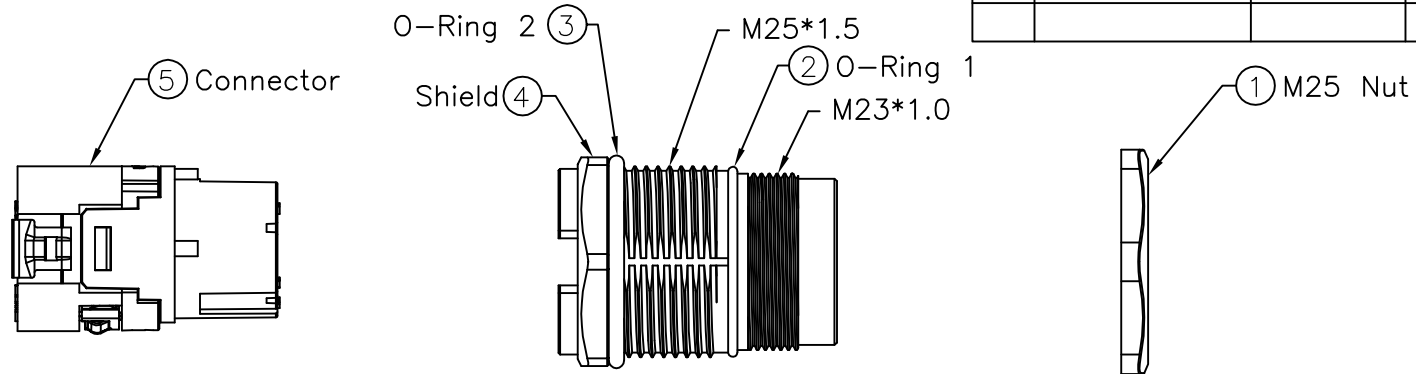
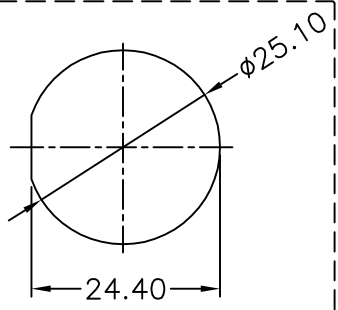


REV.	ECN NO.	DATE	SIGN	DESCRIPTION
A		Initial Release	2010/07/27	Doreen
				Change REV.01 to REV.A

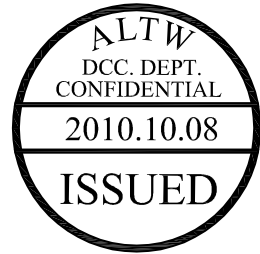
THIS DOCUMENT IS SUBJECT TO CHANGE WITHOUT NOTICE. IT IS CONFIDENTIAL AND A PROPERTY OF Amphenol LTW. DISCLOSURE TO THIRD PARTY HAS TO BE AUTHORIZED BY Amphenol LTW.



Conn.
Pin Assignments
Front View



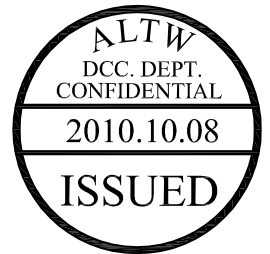
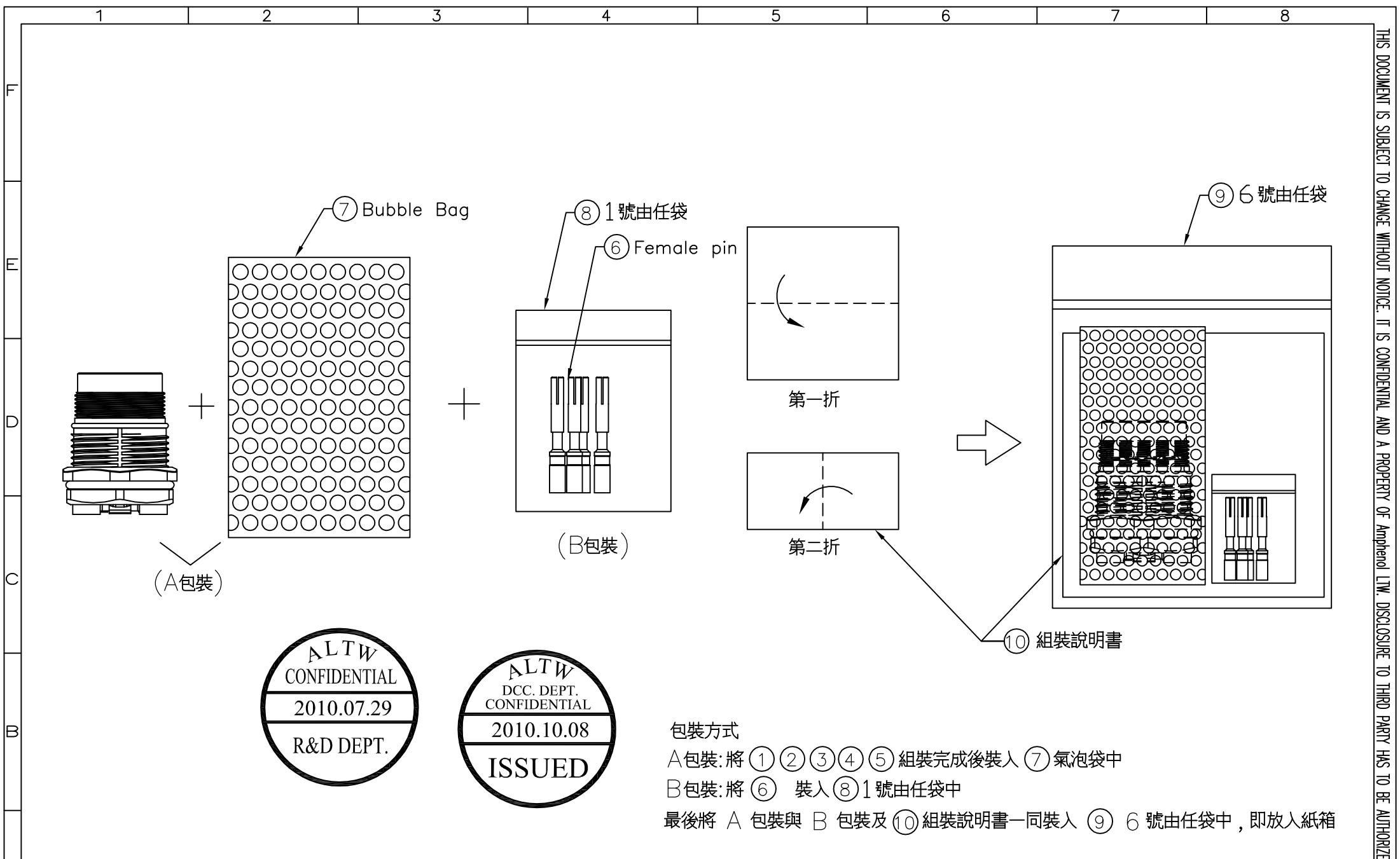
Recommended
Panel Cut-Out



Note:

- * @@ Important Dimension.
- * Waterproof Rate: IP67.
- * Connector: Nylon, Black.
- * Female Pin: Copper Alloy, Gold Plated.
- * Shield: Copper Alloy, Nickel Plated.
- * O-Ring: Silicone, UL94V-0, Gray.
- * Recommended Gauge: 14 Awg, 12 Awg.
- * Use without waterproof cap or dust cap
- Panel Thickness Max: 6.0mm.

UNIT:mm		TITLE	M23 Panel ASS'Y Type, M CON, F PIN		Amphenol LTW		ITEM NO	LJ23-06PMFC-SF7001	DRAWN BY	Doreen	DATE	2010/07/29
TOLERANCE	.X ±0.25 .XX ±0.1 .XXX ±0.05 ANGLES ±1'	SCALE	Free	SHEET	1 OF 2	安費諾亮泰企業股份有限公司	DWG NO	LJ23-06PMFC-SF7001	CHECKED BY	Winnie	DATE	2010/07/29
REV.	A	SIZE	A4	@@	: Inspection Item		CUSTOMER	ALTW	APPROVED BY	Kevin	DATE	2010/08/03



包裝方式

A包裝: 將 ① ② ③ ④ ⑤ 組裝完成後裝入 ⑦ 氣泡袋中

B包裝: 將 ⑥ 裝入 ⑧ 1號由任袋中

最後將 A 包裝與 B 包裝及 ⑩ 組裝說明書一同裝入 ⑨ 6號由任袋中, 即放入紙箱

UNIT:mm		TITLE M23 Panel ASS'Y Type, M CON, F PIN		Amphenol LTW		ITEM NO LJ23-06PMFC-SF7001	DRAWN BY Doreen	DATE 2010/07/29
TOLERANCE .X ±0.25 .XX ±0.1 .XXX ±0.05 ANGLES ±1'	SCALE Free	SHEET 2 OF 2	安費諾亮泰企業股份有限公司			DWG NO LJ23-06PMFC-SF7001	CHECKED BY Winnie	DATE 2010/07/29
REV. A	SIZE A4	◎ : Inspection Item				CUSTOMER ALTW	APPROVED BY Kevin	DATE 2010/08/03
1	2	3	4	5	6	7	8	FMWIG702-01-01A2

X-ON Electronics

Largest Supplier of Electrical and Electronic Components

Click to view similar products for [Circular Metric Connectors](#) category:

Click to view products by [Amphenol](#) manufacturer:

Other Similar products are found below :

[600X518037X](#) [6STD15PCR99B70A](#) [8R4000A16M020](#) [8R5000A16M005](#) [1200910002](#) [1203580030](#) [1200910008](#) [1200910011](#) [1300140094](#)
[130203-0054](#) [1300140026](#) [1300150099](#) [1-3637-600-5205](#) [1612618](#) [21036836414](#) [8R4006A16M010](#) [1R3006A20M005](#) [41-40011](#) [42-00006](#)
[42-01015](#) [4-22279-4](#) [4-22281-1](#) [4-22284-9](#) [43-00113](#) [43-01203](#) [41-40013](#) [42-00008](#) [43-00343](#) [43-01026](#) [43-01162](#) [43-01173](#) [43-10000](#)
[XS3P-M421-2](#) [600X518050X](#) [8R5006A16M020](#) [8R5006A16M005](#) [8R4000A16M010](#) [6-22279-3](#) [1605332](#) [N03FA03144](#) [1300140077](#) [43-](#)
[16213](#) [43-01338](#) [XS2RD4265](#) [XS2R-D426-1](#) [XS8A-0441](#) [859RD04-103R004](#) [860RD04-113R004](#) [860RD04-213R004](#) [1-213245-2](#)