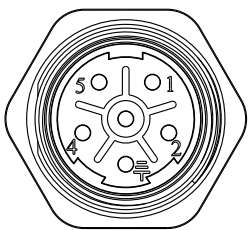
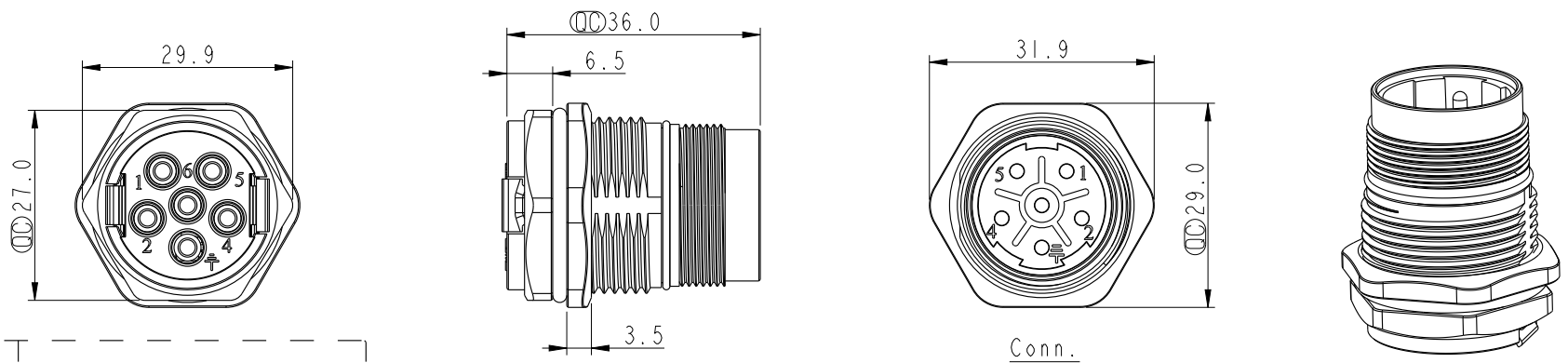
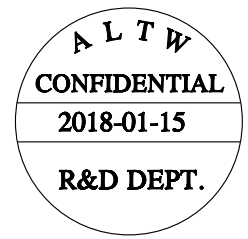
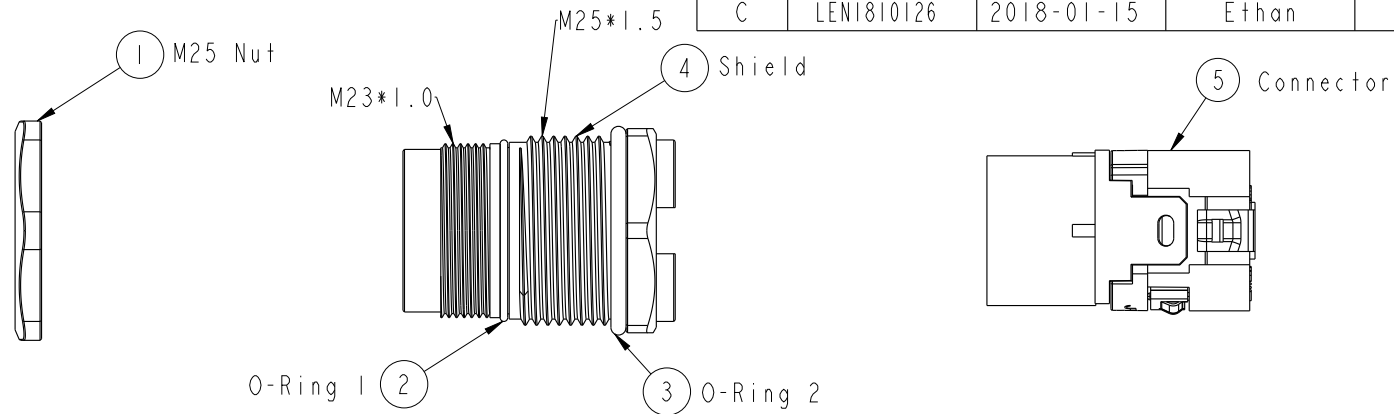
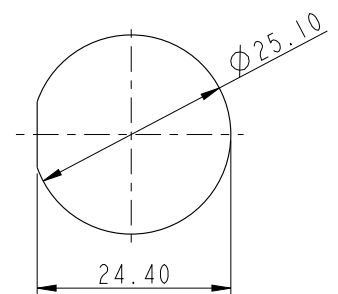


REV.	ECN NO.	DATE	SIGN	DESCRIPTION
B	LEN1660815	2016-06-24	Tom	Change Note
C	LEN1810126	2018-01-15	Ethan	Define Minimum Panel Thickness



Conn.  
Pin Assignments  
Front View



Recommended  
Panel Cut-Out

Note:  
 \*  $\varnothing$  Important Dimension.  
 \* Waterproof Rate: IP67.  
 \* Connector: Nylon, Black.  
 \* Male Pin: Copper Alloy, Gold Plated.  
 \* Shield: Copper Alloy, Nickel Plated.  
 \* O-Ring: Silicone, UL94V-0, Gray.  
 \* Recommended Gauge: 12 Awg  
 \* Use without waterproof cap or dust cap  
 Panel Thickness Max: 6.0mm  
 Panel Thickness Min: 2.0mm

UNIT:mm		
TOLERANCE		
.X	±0.25	
.XX	±0.1	
.XXX	±0.05	
ANGLES	±1°	

TITLE M23 Panel ASS'Y Type, M CON, M PIN			
SCALE 1:1	SIZE A4	SHEET 1 OF 2	
REV. C	WC-REV. A.4	$\varnothing$ : Inspection item	

**Amphenol LTW**  
 安費諾亮泰企業股份有限公司

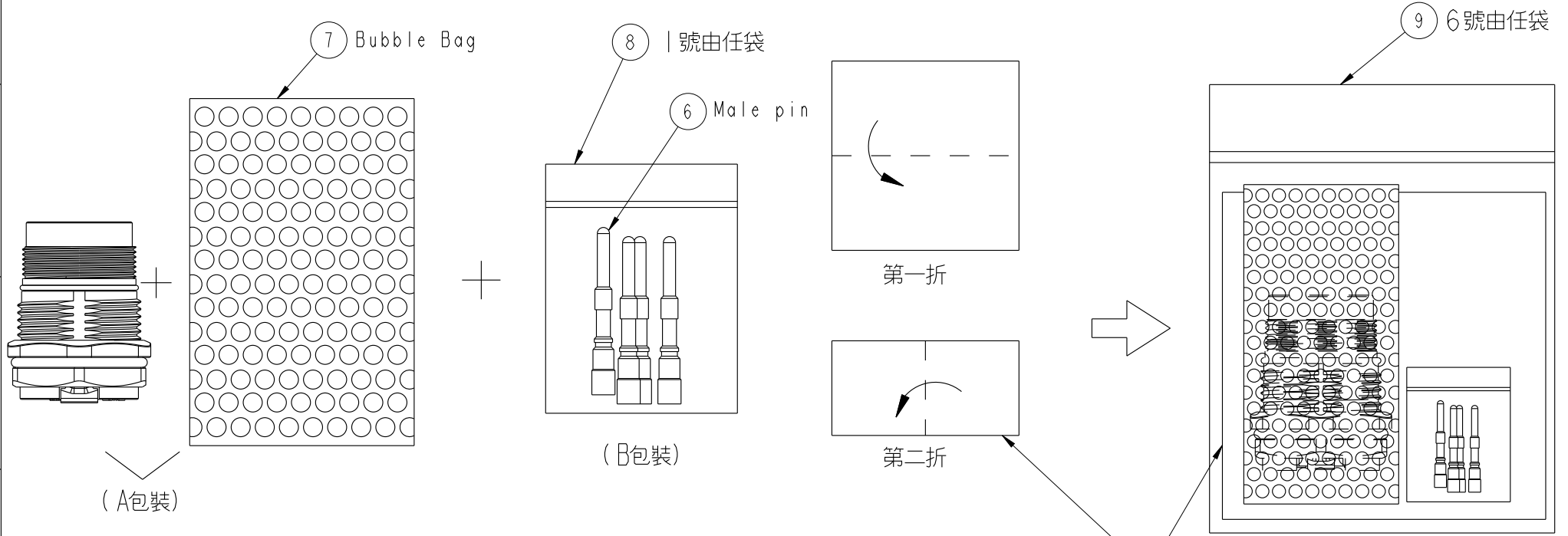
ITEM NO. LJ23-06PMMC-SF7001	DRAWN BY Ethan	DATE 2018-01-15
DWG NO. LJ23-06PMMC-SF7001	CHECKED BY Feng Li	DATE 2018-01-15
CUSTOMER ALTW	APPROVED BY Jerry	DATE 2018-01-15

THIS DOCUMENT IS SUBJECT TO CHANGE WITHOUT NOTICE. IT IS CONFIDENTIAL AND A PROPERTY OF AMPHENOL LTW. DISCLOSURE TO THIRD PARTY HAS TO BE AUTHORIZED BY AMPHENOL LTW.

REV.	ECN NO.	DATE	SIGN	DESCRIPTION

F  
E  
D  
C  
B  
A

THIS DOCUMENT IS SUBJECT TO CHANGE WITHOUT NOTICE. IT IS CONFIDENTIAL AND A PROPERTY OF AMPHENOL LTW. DISCLOSURE TO THIRD PARTY HAS TO BE AUTHORIZED BY AMPHENOL LTW.



**ALTW**  
**CONFIDENTIAL**  
 2018-01-15  
**R&D DEPT.**

包裝方式

A包裝 將 ① ② ③ ④ ⑤ 組裝完成後裝入 ⑦ 氣泡袋中

B包裝 將 ⑥ 裝入 ⑧ | 號由任袋中

最後將 A 包裝與 B 包裝及 ⑩ 組裝說明書一同裝入 ⑨ 6 號由任袋中，即放入紙箱

UNIT: mm		
TOLERANCE	±0.25	
.X	±0.1	
.XX	±0.05	
.XXX	±1°	
ANGLES		

TITLE M23 Panel ASS'Y Type, M CON, M PIN			
SCALE 1:1	SIZE A4	SHEET 2 OF 2	
REV. C	WC-REV. A.4	◎: Inspection item	

**Amphenol LTW**  
 安費諾亮泰企業股份有限公司

ITEM NO. LJ23-06PMMC-SF7001	DRAWN BY Ethan	DATE 2018-01-15
DWG NO. LJ23-06PMMC-SF7001	CHECKED BY Feng Li	DATE 2018-01-15
CUSTOMER ALTW	APPROVED BY Jerry	DATE 2018-01-15

## X-ON Electronics

Largest Supplier of Electrical and Electronic Components

*Click to view similar products for [Circular Metric Connectors](#) category:*

*Click to view products by [Amphenol](#) manufacturer:*

Other Similar products are found below :

[600X518037X](#) [6STD15PCR99B70A](#) [8R4000A16M020](#) [8R5000A16M005](#) [1200910002](#) [1203580030](#) [1200910008](#) [1200910011](#) [1300140094](#)  
[130203-0054](#) [1300140026](#) [1300150099](#) [1-3637-600-5205](#) [1612618](#) [21036836414](#) [8R4006A16M010](#) [1R3006A20M005](#) [41-40011](#) [42-00006](#)  
[42-01015](#) [4-22279-4](#) [4-22281-1](#) [4-22284-9](#) [43-00113](#) [43-01203](#) [41-40013](#) [42-00008](#) [43-00343](#) [43-01026](#) [43-01162](#) [43-01173](#) [43-10000](#)  
[XS3P-M421-2](#) [600X518050X](#) [8R5006A16M020](#) [8R5006A16M005](#) [8R4000A16M010](#) [6-22279-3](#) [1605332](#) [N03FA03144](#) [1300140077](#) [43-](#)  
[16213](#) [43-01338](#) [XS2RD4265](#) [XS2R-D426-1](#) [XS8A-0441](#) [859RD04-103R004](#) [860RD04-113R004](#) [860RD04-213R004](#) [1-213245-2](#)