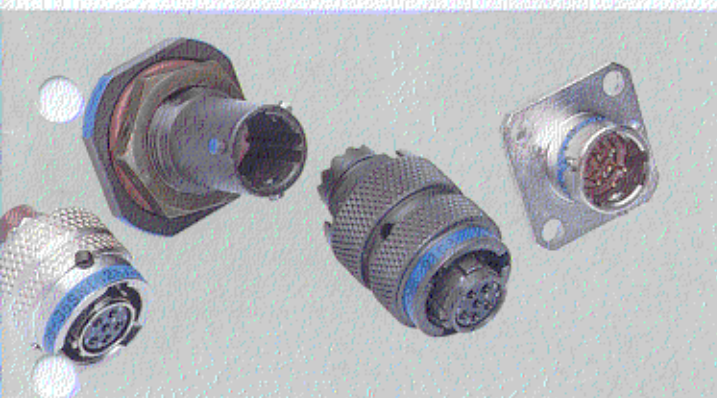


# Amphenol

## MIL-C-38999

Full range catalogue



Amphenol Ltd



MIL-C-38999 connectors are designed & approved to meet the most stringent requirements of the military and aerospace industry. Within the connector range Amphenol produce 4 series of connectors. These cover low profile light weight to ruggedised scoop proof connectors. All connectors are rated at 175°C for olive drab finish and 200°C for electroless Nickel. A Cadmium free olive drab version is available. Contact counts in the connectors range from 1 to 128 with five sizes of contact and over 100 insert planforms are available. With this broad range, a MIL-C-38999 connector is suitable for the majority of harsh environment applications



**JT** Light weight low profile bayonet connector. Ideal for use in avionics box and other limited space conditions.

**Approved to:** MIL-C-38999 series 2  
BS9520 G0002  
PAN 6433-1  
HE309



**SJT** A light weight scoop proof bayonet connector intermountable with MIL-C-26482 type connectors. Commonly used on European military aircraft

**Approved to:** LN29729  
VG96912  
PAN 6433-2  
JN1003

**LJT** A range of rugged scoop proof bayonet connector suitable for general duty applications ie. ground support systems.

**Approved to:** MIL-C-38999 series 1  
BS9522 F0029, BS9520 G0001  
HE308

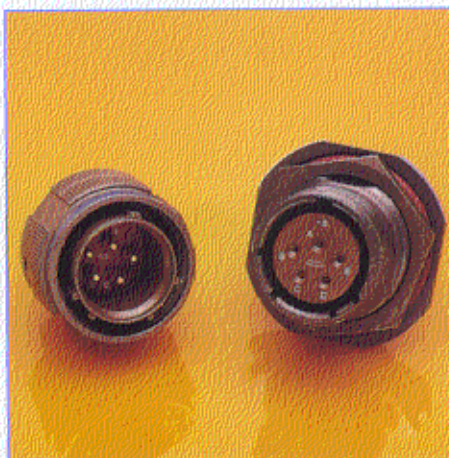


**TV** Highest performance connector with quick threaded coupling mechanism. Used in high vibration & EMI/RFI environments and on portable communication systems. A stainless steel connector firewall version is available for use on engine harnesses.

**CTV** Composite light weight connector ideal for use in aircraft or extreme salt spray environments.

**TVRB** Marine Nickel Aluminium Bronze version chosen for use on standard naval applications.

**Approved to:** MIL-C-38999 series 3  
BS9522 F0039 / BS9520 G0003  
JN1034



|  |   |
|--|---|
| TVP00R CTVP00R BS-C6170 D38999/20 JN1034A Wall mounting receptacle .....                           | 1 |
| TVP02R CTV02R JN1034F Box mounting receptacle .....  | 1 |
| TV06R BS-C6176 D38999/26 Straight plug JN1034C .....   | 1 |
| TV07R CTV07R BS-C6177 D38999/24 JN1034B Jam nut receptacle .....                                   | 1 |
| TV JN1034D Dummy receptacle .....  | 1 |
| TVPS02Y D38999/21 Hermetic box mounting receptacle .....   | 1 |
| TVS07Y D38999/23 Hermetic jam nut receptacle .....   | 1 |
| TVS1Y D388999/25 Hermetic solder mounting receptacle .....   | 1 |
| TV - Cable Clamp.....  | 1 |
| TV - Receptacle protection cap .....   | 1 |
| TV - Plug protection cap .....   | 2 |
|  |   |
| LJT00R BS-C6160 MS27466 HE308-00T Wall mounting receptacle .....                                   | 2 |
| LJTPO0R BS-C6163 MS27656 Wall mounting receptacle (back panel mounting) .....                      | 2 |
| LJT02R BS-C6162 MS27496 Box mounting receptacle .....  | 2 |
| LJTPO2R BS-C6164 MS27505 Box mounting receptacle (back panel mounting) .....                       | 2 |
| LJT06R BS-C6166 MS27467 HE308-06T Straight plug .....  | 2 |
| LJT06R (WXX) BS-C6165 Straight Plug (with heavy duty coupling ring) .....                          | 2 |
| LJT07R BS-C6167 MS27468 HE308-07T jam nut receptacle .....   | 2 |
| LJT00 MS27469 Hermetic wall mounting receptacle.....   | 2 |
| LJT07 MS27470 Hermetic jam nut receptacle.....   | 2 |
| LJT1Y MS27471 Hermetic solder mounting receptacle.....   | 2 |
| LJT Receptacle protection cap .....  | 3 |
| LJT Plug protection cap .....  | 3 |
|  |   |
| JT00R BS-C2022 MS27472 Wall mounting receptacle .....  | 3 |
| JTPO0R BS-C2023 MS27497 HE309 03T PAN 6432-1B Wall mounting receptacle (back panel mounting) ..... | 3 |
| JT02R BS-C2251 MS27499 Box mounting receptacle .....   | 3 |
| JTPO2R BS-C2253 MS27508E PAN 6433-1E Box mounting receptacle (back panel mounting) .....           | 3 |
| JT06R BS-C2020 MS27473 HE309 06T PAN 6433-IF - Ungrounded .....                                    | 3 |
| JTG06R BS-C2021 MS27484 HE309 G06T PAN 6433-IFG - Grounded straight plug .....                     | 3 |
| JT07R BS-C2024 MS27474 HE309-07T PAN 6433-1A Jam nut receptacle .....                              | 3 |
| JT00 MS27475 Hermetic wall mounting receptacle .....   | 3 |
| JT02 MS27476 Hermetic box mounting receptacle .....  | 3 |
| JT07 MS27477 Hermetic jam nut receptacle .....   | 4 |
| JT1 MS27478 Hermetic solder mounting receptacle .....  | 4 |
| JT PAN 6433-IM Receptacle protection cap .....   | 4 |
| JT PAN 6433-IM Plug protection cap .....   | 4 |
| JT/LJT Cable Clamp .....   | 4 |
|  |   |
| SJT00RT JN1003-B PAN 6433-2B VG96912-A Wall mounting receptacle .....                              | 4 |
| SJTPO2RE Box mounting receptacle (back panel mounting) .....                                       | 4 |
| SJT02RE JN1003-H Box Mounting Receptacle .....   | 4 |
| SJT06RT/SJTGO6RT JN1003-FG PAN 6433-2F, PAN 6433-2FG VG96912-D, VG96912-E Straight plugs.....      | 4 |
| SJT07RT JN1003-A PAN 6433-2A VG96912-B Jam nut receptacle .....                                    | 4 |
| SJT JN1003-R Dummy receptacle .....  | 5 |
| SJTB JN1003-J Through Bulkhead .....   | 5 |
| SJT1Y JN1003-E Hermetic solder mounting receptacle .....   | 5 |
| SJT07Y - Hermetic Jam nut receptacle .....   | 5 |
| SJT - Accessories Cable Clamp .....  | 5 |
| SJT - Accessories Receptacle protection cap .....  | 5 |
| SJT - Accessories Plug protection cap .....  | 5 |
|  |   |
| Thru-Bulkhead Receptacle.....  | 5 |
| Crimp Contacts .....   | 5 |
| Crimping/Insertion/Removal Tools .....   | 5 |
| Low Profile MIL-STD 1760 Breakaway - D38999/31 Style 1 Approved .....                              | 6 |
| Printed Circuit Board Contacts Coax and Twinax .....   | 6 |
| Coaxial Contacts .....   | 6 |
| Wire Wrap Contacts .....   | 6 |
| Printed Circuit Board Contacts Standard .....  | 6 |
| Multi-Mode Termini, Size 16 .....  | 6 |
| Ordering Information .....   | 6 |



| Wire Size                                      | Test Current |        |        |       |       |       |       |
|--|--------------|--------|--------|-------|-------|-------|-------|
| 28   | 1.5          | 1.5    | -      | -     | -     | -     | -     |
| 26   | 2.0          | 2.0    | 2.0    | -     | -     | -     | -     |
| 24   | 3.0          | 3.0    | 3.0    | 3.0   | -     | -     | -     |
| 22   | 5.0          | -      | 5.0    | 5.0   | -     | -     | -     |
| 20   | -            | -      | -      | 7.5   | 7.5   | -     | -     |
| 18   | -            | -      | -      | -     | 10.0  | -     | -     |
| 16   | -            | -      | -      | -     | 13.0  | -     | -     |
| 14   | -            | -      | -      | -     | -     | 17.0  | -     |
| 12   | -            | -      | -      | -     | -     | 23.0  | -     |
| 10   | -            | -      | -      | -     | -     | -     | -     |
| 8  | -            | -      | -      | -     | -     | -     | 46.0  |
| 6  | -            | -      | -      | -     | -     | -     | -     |
| 4  | -            | -      | -      | -     | -     | -     | -     |
| Hermetic Contacts                              | 3            | 2      | 3      | 5     | 10    | 17    | N/A   |
| <b>Crimp Well Data</b>                         |              |        |        |       |       |       |       |
| Diameter ± 0.01                                | 0.0345       | 0.0280 | 0.0365 | 0.047 | 0.067 | 0.100 | 0.181 |
| Depth  | 0.141        | 0.141  | 0.141  | 0.209 | 0.209 | 0.209 | 0.394 |
| <b>Maximum Millivolt Drop</b>                  |              |        |        |       |       |       |       |
| Crimp Contacts                                 | 73           | 45     | 73     | 55    | 49    | 42    | 26    |
| Hermetic Contacts                              | 85           | 60     | 85     | 60    | 85    | 85    | N/A   |
| Hermetic Contacts according to M39029 Standard | 803          | 803    | 803    | 605   | 539   | 462   | N/A   |

Tested using silver plated wire

### Service Rating\*\*

| Service Rating | Suggested Operating Voltage (Sea Level) |      | Test Voltage (Sea Level) | Test Voltage 50,000ft | Test Voltage 70,000ft | Test Voltage 110,000ft |
|----------------|---|------|--------------------------|-----------------------|-----------------------|------------------------|
|                | AC(RMS)                                 | DC   |                          |                       |                       |                        |
| M              | 400                                     | 500  | 1300 VRMS                | 550 VRMS              | 350 VRMS              | 200 VRMS               |
| N              | 300                                     | 450  | 1000 VRMS                | 400 VRMS              | 260 VRMS              | 200 VRMS               |
| I              | 600                                     | 850  | 1800 VRMS                | 600 VRMS              | 400 VRMS              | 200 VRMS               |
| II             | 900                                     | 1250 | 2300 VRMS                | 800 VRMS              | 500 VRMS              | 200 VRMS               |

\* Please note that the establishment of electrical safety factors is left entirely in the designers hands, since he is in the best position to know what peak voltages, switching surges, transients, etc., can be expected in a particular circuit.

### EMI shielding effectiveness

| Frequency MHz | Leakage attenuation (dB) Minimum |               |                     |               |                |
|---------------|----------------------------------|---------------|---------------------|---------------|----------------|
|               | Series II                        | Series III    |                     |               | Series I & SJT |
|               | Finish B and F                   | Class K and Y | Class F, N, M and S | Class W and J | Finish B and F |
| 100           | 65                               | 80            | 90                  | 90            | 90             |
| 200           | 60                               | 75            | 88                  | 88            | 88             |
| 300           | 55                               | 73            | 88                  | 88            | 88             |
| 400           | 55                               | 71            | 87                  | 87            | 87             |
| 800           | 45                               | 66            | 85                  | 85            | 85             |
| 1,000         | 45                               | 65            | 85                  | 85            | 85             |
| 1,500         | -                                | 59            | 76                  | 69            | 69             |
| 2,000         | -                                | 55            | 70                  | 65            | 65             |
| 3,000         | -                                | 52            | 69                  | 61            | 61             |
| 4,000         | -                                | 50            | 68                  | 58            | 58             |
| 6,000         | -                                | 48            | 66                  | 55            | 55             |
| 10,000        | -                                | 45            | 65                  | 50            | 50             |

### Fluid Immersion

- |  |                                 |  |
|--|---------------------------------|--|
| (a) MIL-H-5606                         | (i) Isopropyl alcohol per       | (k) Azeotrope or trichlorotri          |
| (b) M2-V chevroni                      | TT-1-735, grade A or B mixed    | fluoroethane (Freon TMC or             |
| (c) MIL-T-5624 (grade JP-5)            | one part by volume with three   | equal) and methylene chloride          |
| (d) MIL-L-7803                         | parts by volume of mineral spir | (l) Coolant-dielectric fluid synthetic |
| (e) MIL-L-23699                        | its per TT-T-291, type 1 or     | silicate ester base                    |
| (f) MIL-A-8243                         | P-D-680, type 1                 |  |
| (g) MIL-L-25769 (Diluted for cleaning) | (j) 1-1-1 trichloroethane       |  |
| (h) MIL-G-3056 Type 1                  |                                 |  |





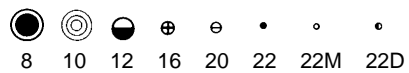
# Insert Arrangements

|                |                 |                |                |                |                 |                |                 |                 |                |      |              |              |
|----------------|-----------------|----------------|----------------|----------------|-----------------|----------------|-----------------|-----------------|----------------|------|--------------|--------------|
|                |                 |                |                |                |                 |                |                 |                 |                |      |              |              |
| 8-2            | 8-3<br>9-3      | 8-6*<br>9-6    | 9-7            | 9-22           | 8-35<br>9-35    | 8-44*<br>9-44  | 8-97            | 8-98<br>9-98    | 10-01<br>11-01 | 11-2 | 10-4<br>11-4 | 10-5<br>11-5 |
|                |                 |                |                |                |                 |                |                 |                 |                |      |              |              |
| 11-6           | 10-13*<br>11-13 | 10-35<br>11-35 | 10-98<br>11-98 | 10-99<br>11-99 | 12-3<br>13-3    | 12-4<br>13-4   | 12-8<br>13-8    | 12-22*<br>13-22 | 12-35<br>13-35 |      |              |              |
|                |                 |                |                |                |                 |                |                 |                 |                |      |              |              |
| 12-98<br>13-98 | 14-4<br>15-4    | 14-5<br>15-5   | 14-15<br>15-15 | 14-18<br>15-18 | 14-19<br>15-19  | 14-35<br>15-35 | 14-37*<br>15-37 |                 |                |      |              |              |
|                |                 |                |                |                |                 |                |                 |                 |                |      |              |              |
| 14-68<br>15-68 | 14-97<br>15-97  | 17-2           | 16-6<br>17-6   | 16-8<br>17-8   | 16-13<br>17-13  | 16-26<br>17-26 |                 |                 |                |      |              |              |
|                |                 |                |                |                |                 |                |                 |                 |                |      |              |              |
| 16-35<br>17-35 | 16-42<br>17-42  | 16-55<br>17-55 | 16-99<br>17-99 | 18-11<br>19-11 | 18-17<br>19-17  |                |                 |                 |                |      |              |              |
|                |                 |                |                |                |                 |                |                 |                 |                |      |              |              |
| 18-28<br>19-28 | 18-30<br>19-30  | 18-32<br>19-32 | 18-35<br>19-35 | 18-53<br>19-53 | 18-66*<br>19-66 |                |                 |                 |                |      |              |              |

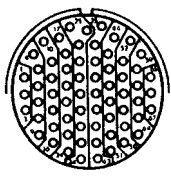
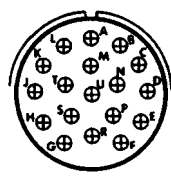
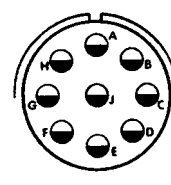
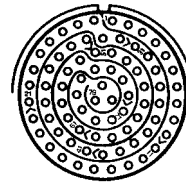
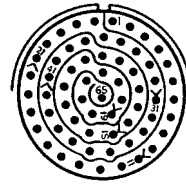
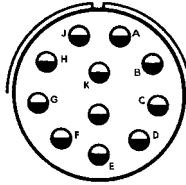
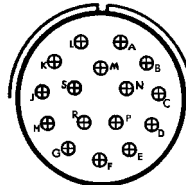
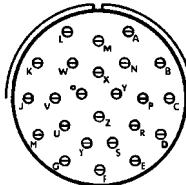
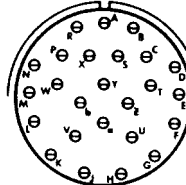
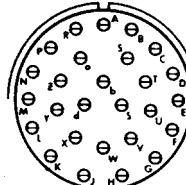
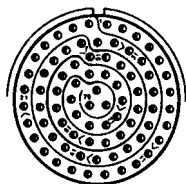
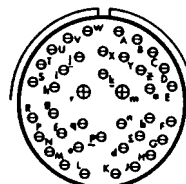
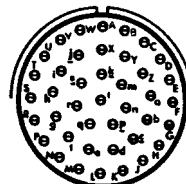
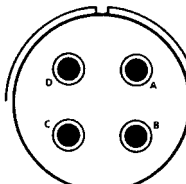
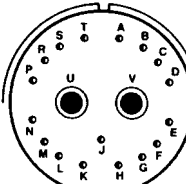
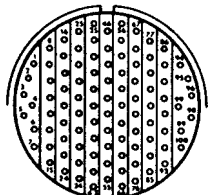
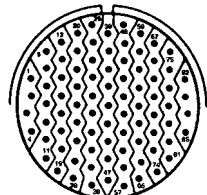
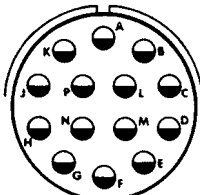
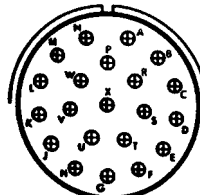
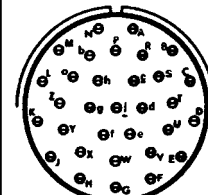
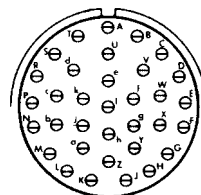
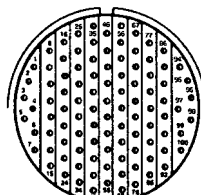
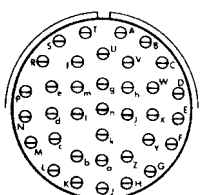
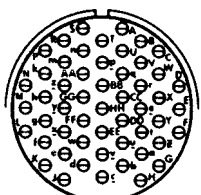
\* Inactive

## Contact Legend

Front end of pins illustrated

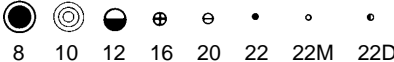


# Insert Arrangements

|   |   |   |   |   |
|---|---|---|---|---|
|    |    |    |     |    |
| 19-67   | 18-68<br>19-68  | 18-96   | 20-1*<br>21-1   | 20-2*<br>21-2   |
|    |    |    |     |    |
| 20-11<br>21-11  | 20-16<br>21-16  | 21-24   | 21-25   | 21-27   |
|    |    |    |     |    |
| 20-35<br>21-35  | 20-39<br>21-39  | 20-41<br>21-41  | 20-75<br>21-75  | 20-79<br>21-79  |
|  |  |  |   |  |
| 22-1*<br>23-1   | 22-2*<br>23-2   | 22-14<br>23-14  | 22-21<br>23-21  | 22-32<br>23-32  |
|  |  |  |  |   |
| 23-34   | 22-35<br>23-35  | 23-36   | 22-53<br>23-53  |   |

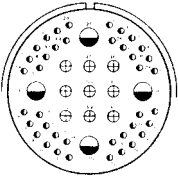
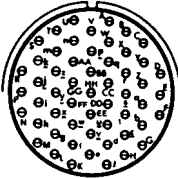
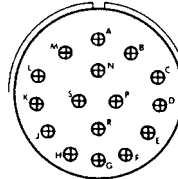
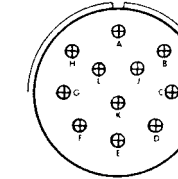
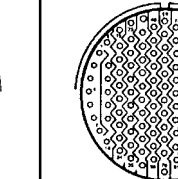
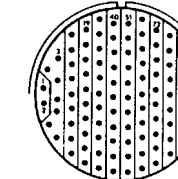
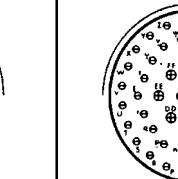
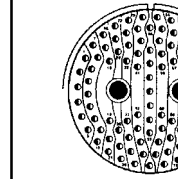
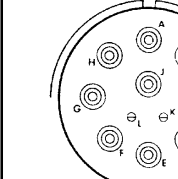
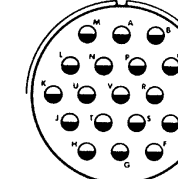
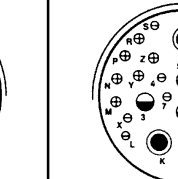
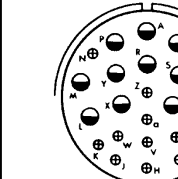
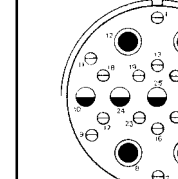
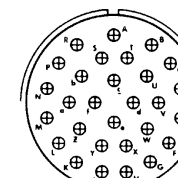
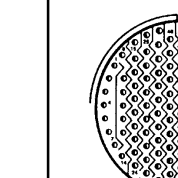
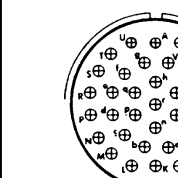
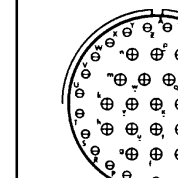
\* Inactive

**Contact Legend**  
Front end of pins illustrated

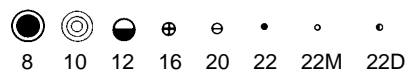




# Insert Arrangements

|   |   |   |   |   |
|---|---|---|---|---|
|    |    |    |     |  |
| 22-54<br>23-54  | 22-55<br>23-55  | 23-97   | 23-99   | 24-1<br>25-1  |
|    |    |    |    |   |
| 24-2<br>25-2  | 24-4<br>25-4  | 24-7<br>25-7  | 24-11<br>25-11  |   |
|   |   |   |   |   |
| 24-19<br>25-19  | 24-20<br>25-20  | 24-24<br>25-24  | 25-26   |   |
|  |  |  |  |   |
| 24-29<br>25-29  | 24-35<br>25-35  | 24-37<br>25-37  | 24-43<br>25-43  |   |

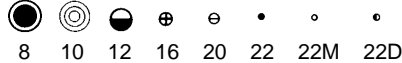
**Contact Legend**  
Front end of pins illustrated



# Insert Arrangements

|                        |                        |
|------------------------|------------------------|
|                        |                        |
| <p>24-46<br/>25-46</p> | <p>24-61<br/>25-61</p> |
|                        |                        |
| <p>24-41<br/>25-41</p> | <p>25-64</p>           |

**Contact Legend**  
Front end of pins illustrated



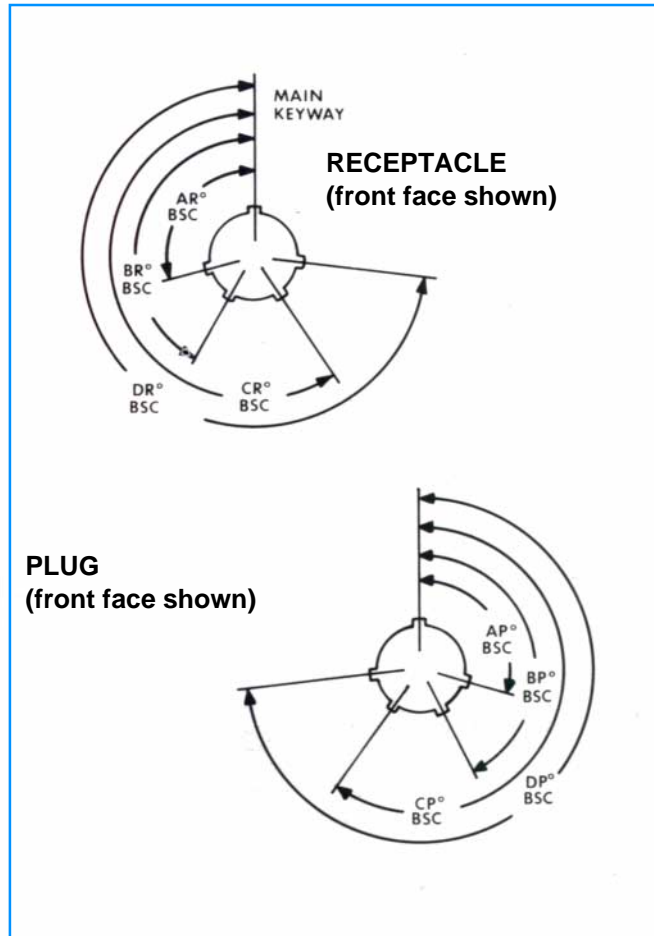
# New Inserts

|             |             |             |
|-------------|-------------|-------------|
|             |             |             |
| <p>23-5</p> | <p>23-6</p> | <p>25-8</p> |

A plug with a given rotation letter will mate with a receptacle with the same rotation letter. The angles for a given connector are the same whether it contains pins or sockets. Inserts are not rotated in conjunction with the master key/keyway.

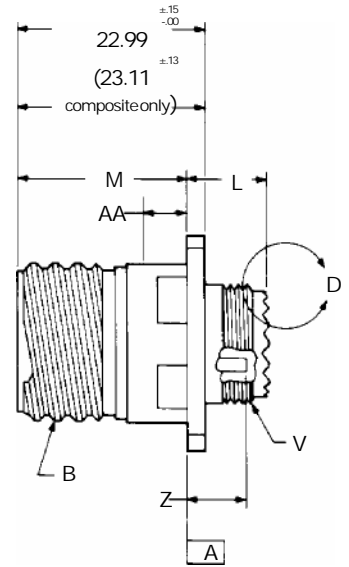
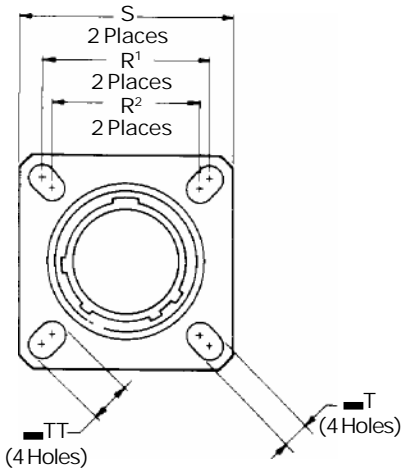
## Master Key/Keyway Rotation

| Shell Size     | Key & Keyway Arrangement identification letter | AR°        | BR°        | CR°        | DR°        |
|----------------|--|------------|------------|------------|------------|
|                |  | AP°<br>BSC | BP°<br>BSC | CP°<br>BSC | DP°<br>BSC |
| 9              | N  | 105        | 140        | 215        | 265        |
|                | A  | 102        | 132        | 248        | 320        |
|                | B  | 80         | 118        | 230        | 312        |
|                | C  | 35         | 140        | 205        | 275        |
|                | D  | 64         | 155        | 234        | 304        |
| 11<br>13<br>15 | N  | 95         | 141        | 208        | 236        |
|                | A  | 113        | 156        | 182        | 292        |
|                | B  | 90         | 145        | 195        | 252        |
|                | C  | 53         | 156        | 220        | 255        |
|                | D  | 119        | 146        | 176        | 298        |
| 17<br>19       | N  | 80         | 142        | 196        | 293        |
|                | A  | 135        | 170        | 200        | 310        |
|                | B  | 49         | 169        | 200        | 244        |
|                | C  | 66         | 140        | 200        | 257        |
|                | D  | 62         | 145        | 180        | 280        |
| 21<br>23<br>25 | N  | 80         | 142        | 196        | 293        |
|                | A  | 135        | 170        | 200        | 310        |
|                | B  | 49         | 169        | 200        | 244        |
|                | C  | 66         | 140        | 200        | 257        |
|                | D  | 62         | 145        | 180        | 280        |
|                | E  | 79         | 153        | 197        | 272        |



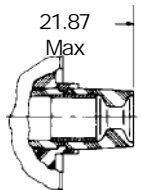


# wall mounting receptacle



- \*TVP00RW... Olive Drab Aluminium
- \*TVPS00RF... Nickel Plated Aluminium
- \*TVPS00RB... Marine Aluminium Bronze
- \*TVPS00RS... Nickel Plated Stainless
- \*TVPS00RK... Firewall Stainless Steel
- \*CTVP00RW... Olive Drab Composite
- \*CTVPS00RF... Electroless Nickel Composite
- \*BS9522G0003C6170... BS Specification
- \*D38999/20... Mil Specification
- \*JN1034A... Olive Drab Aluminium
- \*CECC 75-201-002B Marine Aluminium Bronze

From Surface A



View D enlarged for size 8 coaxial use only

\* To complete order see "how to order" pages.

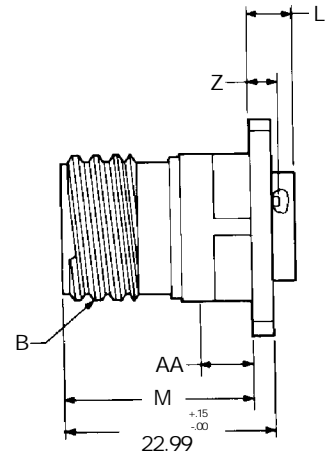
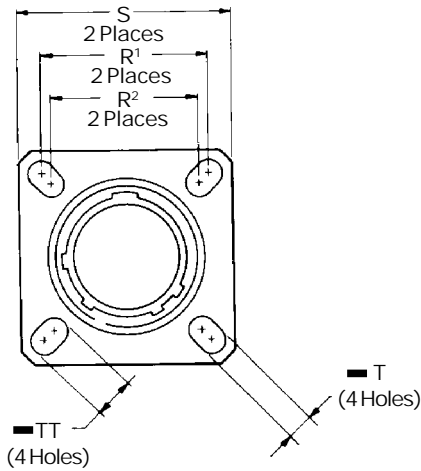
0.01 Dia (M)

| Shell Size | MS Shell Size Code | B Thread Class 2A 0.1P-0.3L-TS (Plated) | L Max | M +.00 - .13 | M Composite +.00 - .13 | <span style="border: 1px solid black; padding: 0 2px;">R<sup>1</sup></span> | <span style="border: 1px solid black; padding: 0 2px;">R<sup>2</sup></span> | S ±.25 | T -.20 - .13 | Z Max | TT +.20 - .13 | V Thread Metric | AA Max Panel Thickness |
|------------|--------------------|---|-------|--------------|------------------------|---|---|--------|--------------|-------|---------------|-----------------|------------------------|
| 9          | A                  | .6250                                   | 11.91 | 20.83        | 19.69                  | 18.26   | 15.09   | 24.1   | 3.25         | 3.89  | 5.49          | M12X1-6g        | 5.94                   |
| 11         | B                  | .7500                                   | 11.91 | 20.83        | 19.69                  | 20.62   | 18.26   | 26.5   | 3.25         | 3.89  | 4.93          | M15X1-6g        | 5.94                   |
| 13         | C                  | .8750                                   | 11.91 | 20.83        | 19.69                  | 23.01   | 20.62   | 28.9   | 3.25         | 3.89  | 4.93          | M18X1-6g        | 5.94                   |
| 15         | D                  | 1.0000                                  | 11.91 | 20.83        | 19.69                  | 24.61   | 23.01   | 31.3   | 3.25         | 3.89  | 4.93          | M22X1-6g        | 5.94                   |
| 17         | E                  | 1.1875                                  | 11.91 | 20.83        | 19.69                  | 26.97   | 24.61   | 33.7   | 3.25         | 3.89  | 4.93          | M25X1-6g        | 5.94                   |
| 19         | F                  | 1.2500                                  | 11.91 | 20.83        | 19.69                  | 29.36   | 26.97   | 36.9   | 3.25         | 3.89  | 4.93          | M28X1-6g        | 5.94                   |
| 21         | G                  | 1.3750                                  | 12.70 | 20.07        | 18.92                  | 31.75   | 29.36   | 40.1   | 3.25         | 4.65  | 4.93          | M31X1-6g        | 5.18                   |
| 23         | H                  | 1.5000                                  | 12.70 | 20.07        | 18.92                  | 34.93   | 31.75   | 43.3   | 3.91         | 4.65  | 6.15          | M34X1-6g        | 5.18                   |
| 25         | J                  | 1.6250                                  | 12.70 | 20.07        | 18.92                  | 38.10   | 34.93   | 46.4   | 3.91         | 4.65  | 6.15          | M37X1-6g        | 5.18                   |

All dimensions for reference only

  Designates true position dimensioning

# Box mounting receptacle



- \*TVP02RW... Olive Drab Aluminium
- \*TVPS02RF... Electroless Nickel Aluminium
- \*TVPS02RB... Marine Aluminium Bronze
- \*TVPS02RS... Nickel Plated Stainless Steel
- \*TVPS02RK... Firewall stainless Steel
- \*CTVP02RW... Olive Drab Composite
- \*CTVP02RF... Electroless Nickel Composite
- \*JN1034F... Olive Drab Aluminium

\* To complete order number, see "How to order" pages.

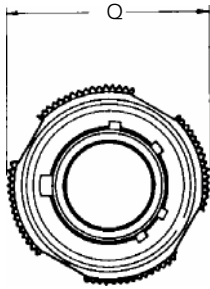
⊕ 0.13Dia (M)

| Shell Size | MS Shell Size Code | B Thread Class 2a 0.1P-0.3L-TS (Plated) | L Max | M +.00 - .13 | <span style="border: 1px solid black; padding: 2px;">R<sup>1</sup></span> | <span style="border: 1px solid black; padding: 2px;">R<sup>2</sup></span> | S ±.25 | T +.20 - .13 | Z Max | AA Max Panel Thickness | TT +.20 - .13 |
|------------|--------------------|---|-------|--------------|---|---|--------|--------------|-------|------------------------|---------------|
| 9          | A                  | .6250                                   | 5.21  | 20.83        | 18.26   | 15.09   | 23.82  | 3.25         | 3.89  | 5.94                   | 5.49          |
| 11         | B                  | .7500                                   | 5.21  | 20.83        | 20.62   | 18.26   | 26.19  | 3.25         | 3.89  | 5.94                   | 4.93          |
| 13         | C                  | .8750                                   | 5.21  | 20.83        | 23.01   | 20.62   | 28.58  | 3.25         | 3.89  | 5.94                   | 4.93          |
| 15         | D                  | 1.0000                                  | 5.21  | 20.83        | 24.61   | 23.01   | 30.96  | 3.25         | 3.89  | 5.94                   | 4.93          |
| 17         | E                  | 1.1875                                  | 5.21  | 20.83        | 26.97   | 24.61   | 33.32  | 3.25         | 3.89  | 5.94                   | 4.93          |
| 19         | F                  | 1.2500                                  | 5.21  | 20.83        | 29.36   | 26.97   | 36.52  | 3.25         | 3.89  | 5.94                   | 4.93          |
| 21         | G                  | 1.3750                                  | 5.97  | 20.07        | 31.75   | 29.36   | 39.67  | 3.25         | 4.65  | 5.18                   | 4.93          |
| 23         | H                  | 1.5000                                  | 5.97  | 20.07        | 34.92   | 31.75   | 42.88  | 3.91         | 4.65  | 5.18                   | 6.15          |
| 25         | J                  | 1.6250                                  | 5.97  | 20.07        | 38.10   | 34.92   | 46.02  | 3.91         | 4.65  | 5.18                   | 6.15          |

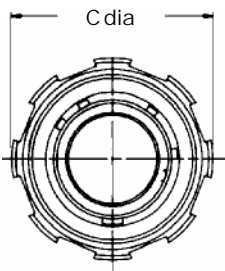
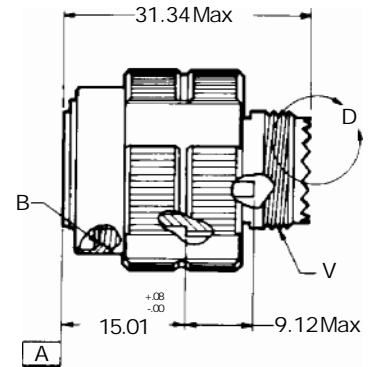
All dimensions for reference only

  Designates true position dimensioning

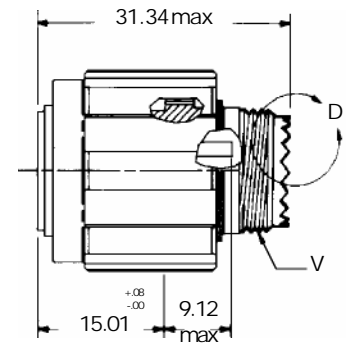
# Straight plug



- \* TV06RW-... Olive Drab Aluminium
- \* TVS06RF-... Electroless Nickel Aluminium
- \* TVS06RB-... Marine Aluminium Bronze
- \* TVS06RS-... Electroless Nickel Stainless Steel
- \* TVS06RK-... Firewall Stainless Steel
- \* CTV06RW-... Olive Drab Composite
- \* CTVS06RF Electroless Nickel Composite
- \* BS9520 G0003 C6176 ... BS Specification
- \* D38999/26-... MII Specification
- \* JN1034C... Olive drab Aluminium

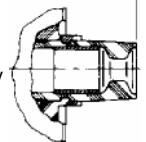


- \* TVS06RB-... (W88) Marine Aluminium Bronze
- \* CECC75-201-002A-... Marine Aluminium Bronze



From surface A  
42.06 Max

View D enlarged for  
size 8 coaxial use only



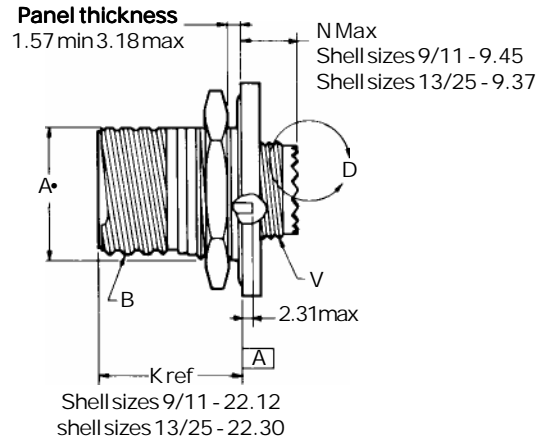
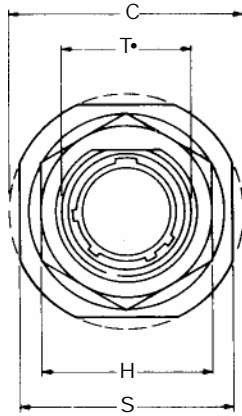
\* To complete order number, see "how to order" pages

| Shell Size | MS Shell Size Code | C Dia Max | B Thread<br>0.1P.0.3L.TS.2B<br>Code | Q Max | V Thread Metric |
|------------|--------------------|-----------|-------------------------------------|-------|-----------------|
| 9          | A                  | 21.1      | .6250                               | 21.82 | M12X1.6g        |
| 11         | B                  | 23.8      | .7500                               | 24.62 | M15X1.6g        |
| 13         | C                  | 28.2      | .8750                               | 28.98 | M18X1.6g        |
| 15         | D                  | 31.4      | 1.0000                              | 32.16 | M22X1.6g        |
| 17         | E                  | 36.5      | 1.1875                              | 35.33 | M25X1.6g        |
| 19         | F                  | 39.3      | 1.2500                              | 38.10 | M28X1.6g        |
| 21         | G                  | 42.5      | 1.3750                              | 41.28 | M31X1.6g        |
| 23         | H                  | 45.3      | 1.5000                              | 44.45 | M34X1.6g        |
| 25         | J                  | 48.4      | 1.6250                              | 47.63 | M37X1.6g        |

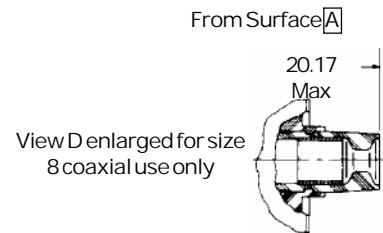
All dimensions for reference only



# Jam nut receptacle



- \* TV07RW-... Olive drab Aluminium
- \* TVS07RF-... Electroless Nickel Aluminium
- \* TVS07RB-... Marine Aluminium Bronze
- \* TVS07RS-... Electroless Nickel Stainless Steel
- \* TVS07RK-... Firewall stainless Steel
- \* CTV07RW-... Olive drab composite
- \* CTVS07RF-... Electroless Nickel composite
- \* BS9520 G0003 C6177-... BS approved
- \* D38999/24-... Mil Spec Approved
- \* JN1034B... Olive drab Aluminium
- \* CECC 75-201-002-C-... Marine Aluminium Bronze

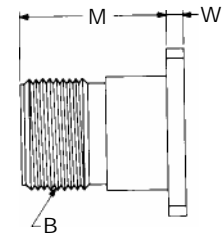
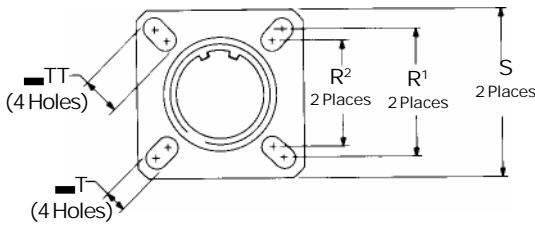


- \* To complete order number see "how to order" pages
- D shaped panel cut-out dimensions

| Shell size | MS shell size code | A*<br>+.00<br>-.25 | C<br>max | H hex<br>+.43<br>-.41 | S<br>±.25 | T*<br>+.25<br>-.00 | V<br>thread<br>metric | B Thread Class 2A<br>0.1 P-0.3L-TS<br>(Plated) |
|------------|--------------------|--------------------|----------|-----------------------|-----------|--------------------|-----------------------|--|
| 9          | A                  | 16.99              | 30.45    | 22.23                 | 26.97     | 17.70              | M12X1-6g              | .6250  |
| 11         | B                  | 19.53              | 35.20    | 25.40                 | 31.75     | 20.88              | M15X1-6g              | .7500  |
| 13         | C                  | 24.26              | 38.38    | 30.18                 | 34.93     | 25.58              | M18X1-6g              | .8750  |
| 15         | D                  | 27.53              | 41.55    | 33.32                 | 38.10     | 28.80              | M22X1-6g              | 1.000  |
| 17         | E                  | 30.68              | 44.73    | 36.53                 | 41.28     | 31.98              | M25X1-6g              | 1.1875   |
| 19         | F                  | 33.86              | 49.50    | 39.67                 | 46.02     | 35.15              | M28X1-6g              | 1.2500   |
| 21         | G                  | 37.06              | 52.65    | 42.88                 | 49.23     | 38.28              | M31X1-6g              | 1.3750   |
| 23         | H                  | 40.01              | 55.85    | 46.02                 | 52.37     | 41.50              | M34X1-6g              | 1.500  |
| 25         | J                  | 43.41              | 59.00    | 50.80                 | 55.58     | 44.68              | M37X1-6g              | 1.6250   |

All dimensions for reference only

# Dummy receptacle



## Aluminium

- \* 10-553974-XXX
- \* BS9522-G0003A6178
- \* JN1034D

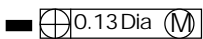
## Nickel Aluminium Bronze

- \* 418-1392-XX

| Finish                           | 10-No. Suffix |
|----------------------------------|---------------|
| Olive Drab, Cadmium, nickel base | -XX9          |
| Electroless nickel               | -XXG          |

\* To complete order number, add shell size and suffix number. For example, shell size 11 with olive drab cadmium nickel base, 10-553974-119

For Nickel Aluminium Bronze dummy receptacle shell size only "XX" =

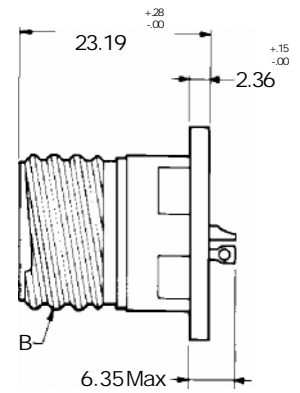
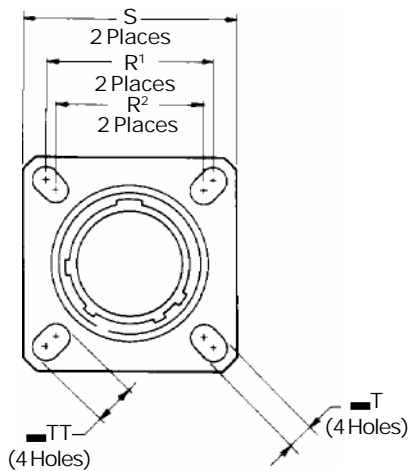


| Shell Size | MS Shell Size Code | B Thread Class 2A 0.1P-0.3L-TS (Plated) | M<br>+.51<br>-.00 | <span style="border: 1px solid black; padding: 2px;">R1</span> | <span style="border: 1px solid black; padding: 2px;">R2</span> | S<br>±.25 | T<br>+.20<br>-.15 | W<br>±.25 | TT<br>+.20<br>-.15 |
|------------|--------------------|---|-------------------|--|--|-----------|-------------------|-----------|--------------------|
| 9          | A                  | .6250                                   | 20.88             | 18.26  | 15.09  | 23.83     | 3.25              | 2.49      | 5.49               |
| 11         | B                  | .7500                                   | 20.88             | 20.62  | 18.26  | 26.19     | 3.25              | 2.49      | 4.93               |
| 13         | C                  | .8750                                   | 20.88             | 23.01  | 20.62  | 28.58     | 3.25              | 2.49      | 4.93               |
| 15         | D                  | 1.0000                                  | 20.88             | 24.61  | 23.01  | 30.96     | 3.25              | 2.49      | 4.93               |
| 17         | E                  | 1.1875                                  | 20.88             | 26.97  | 24.61  | 33.32     | 3.25              | 2.49      | 4.93               |
| 19         | F                  | 1.2500                                  | 20.88             | 29.36  | 26.97  | 36.53     | 3.25              | 2.49      | 4.93               |
| 21         | G                  | 1.3750                                  | 20.09             | 31.75  | 29.36  | 39.67     | 3.25              | 3.18      | 4.93               |
| 23         | H                  | 1.5000                                  | 20.09             | 34.93  | 31.75  | 42.88     | 3.91              | 3.18      | 6.15               |
| 25         | J                  | 1.6250                                  | 20.09             | 38.10  | 34.93  | 46.02     | 3.91              | 3.18      | 6.15               |

All dimensions for reference only

   Designates true position dimensioning

# Box mounting receptacle - Hermetic



- \*TVPS02Y... Stainless Steel
- \*TVPS02YN... Nickel Plated Stainless Steel
- \*D38999/21... Mil Specification

\* To complete order number, see "how to order" pages.

⊕ 0.13 Dia (M)

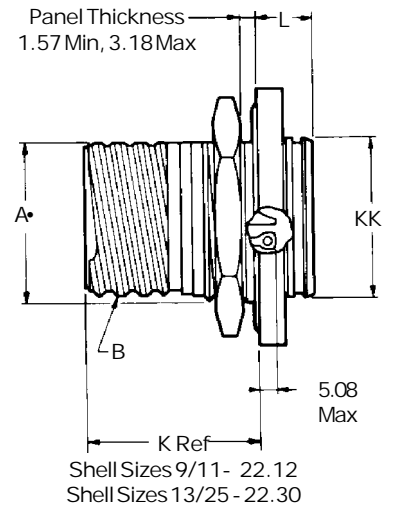
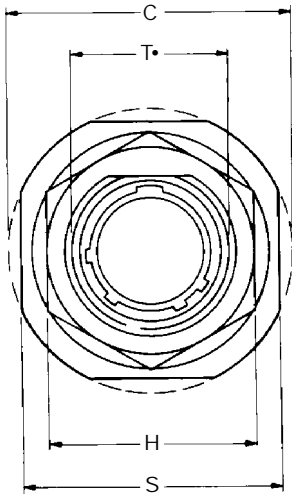
| Shell Size | MS Shell Size Code | B Thread Class 2a 0.1P-0.3L-TS (Plated) | <span style="border: 1px solid black; padding: 2px;">R<sup>1</sup></span> | <span style="border: 1px solid black; padding: 2px;">R<sup>2</sup></span> | S ±.25 | T +.20 - .13 | TT +.20 - .13 |
|------------|--------------------|---|---|---|--------|--------------|---------------|
| 9          | A                  | .6250                                   | 18.26   | 15.09   | 23.83  | 3.25         | 5.49          |
| 11         | B                  | .7500                                   | 20.62   | 18.26   | 26.19  | 3.25         | 4.93          |
| 13         | C                  | .8750                                   | 23.01   | 20.62   | 28.58  | 3.25         | 4.93          |
| 15         | D                  | 1.0000                                  | 24.61   | 23.01   | 30.96  | 3.25         | 4.93          |
| 17         | E                  | 1.1875                                  | 26.97   | 24.61   | 33.32  | 3.25         | 4.93          |
| 19         | F                  | 1.2500                                  | 29.36   | 26.97   | 36.53  | 3.25         | 4.93          |
| 21         | G                  | 1.3750                                  | 31.75   | 29.36   | 39.67  | 3.25         | 4.93          |
| 23         | H                  | 1.5000                                  | 34.93   | 31.75   | 42.88  | 3.91         | 6.15          |
| 25         | J                  | 1.6250                                  | 38.10   | 34.93   | 46.02  | 3.91         | 6.15          |

All dimensions for reference only

   designates true position dimensioning



# Jam Nut receptacle - Hermetic



- \* TVS07Y- ... Stainless Steel
- \* TVS07YN- ... Nickel Plated Stainless Steel
- \* D38999/23 ... Mil Specification

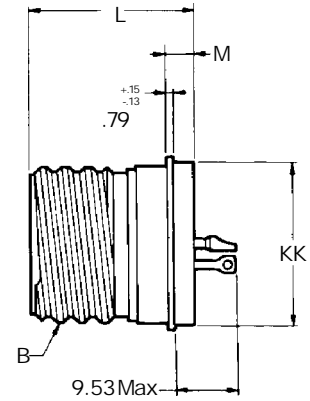
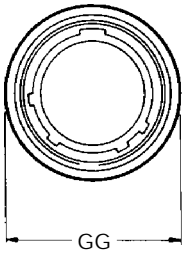
\* To complete order number, see "how to order" pages

| Shell Size | MS Shell Size Code | A•<br>+.00<br>-.25 | B Thread<br>Class 2a<br>0.1P-0.3L-TS<br>(Plated) | C<br>Max | H<br>Hex<br>+.43<br>-.41 | L<br>Max | S<br>±.25 | T•<br>-.25<br>-.00 | KK<br>+.28<br>-.00 |
|------------|--------------------|--------------------|--|----------|--------------------------|----------|-----------|--------------------|--------------------|
| 9          | A                  | 16.99              | .6250  | 30.45    | 22.23                    | 9.07     | 26.97     | 17.70              | 16.31              |
| 11         | B                  | 19.53              | .7500  | 35.20    | 25.40                    | 9.07     | 31.75     | 20.88              | 19.46              |
| 13         | C                  | 24.26              | .8750  | 38.38    | 30.18                    | 9.07     | 34.93     | 25.58              | 22.66              |
| 15         | D                  | 27.53              | 1.0000   | 41.55    | 33.32                    | 9.07     | 38.10     | 28.80              | 25.86              |
| 17         | E                  | 30.68              | 1.1875   | 44.73    | 36.53                    | 9.07     | 41.28     | 31.98              | 29.01              |
| 19         | F                  | 33.86              | 1.2500   | 49.50    | 39.67                    | 9.68     | 46.02     | 35.15              | 32.21              |
| 21         | G                  | 37.06              | 1.3750   | 52.65    | 42.80                    | 9.68     | 49.23     | 38.28              | 35.36              |
| 23         | H                  | 40.01              | 1.5000   | 55.85    | 46.02                    | 9.68     | 52.37     | 41.50              | 38.56              |
| 25         | J                  | 43.41              | 1.6250   | 59.00    | 50.80                    | 9.68     | 55.58     | 44.68              | 41.71              |

All dimensions for reference only.

• D shaped panel cut-out dimensions

# Solder mounting receptacle - Hermetic



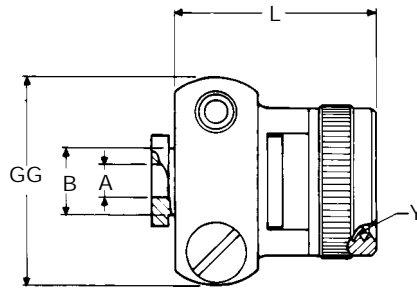
- \* TVS1Y ... Stainless Steel
- \* TVS1YN-... Nickel Plated Stainless Steel
- \* D38999/25... Mil Specification

\* To complete order number, see "how to order" pages

| Shell Size | MS Shell Size Code | B Thread Class 2a 0.1P-0.3L-TS (Plated) | L +.28 - .00 | M +.15 - .13 | GG Dia +.28 - .25 | KK Dia +.03 - .13 |
|------------|--------------------|---|--------------|--------------|-------------------|-------------------|
| 9          | A                  | .6250                                   | 20.47        | 3.18         | 19.05             | 17.07             |
| 11         | B                  | .7500                                   | 20.47        | 3.18         | 21.44             | 19.84             |
| 13         | C                  | .8750                                   | 20.47        | 3.18         | 24.61             | 23.01             |
| 15         | D                  | 1.0000                                  | 20.47        | 3.18         | 27.79             | 26.19             |
| 17         | E                  | 1.1875                                  | 20.47        | 3.18         | 30.94             | 29.36             |
| 19         | F                  | 1.2500                                  | 20.47        | 3.18         | 33.32             | 31.75             |
| 21         | G                  | 1.3750                                  | 20.47        | 3.18         | 36.53             | 34.93             |
| 23         | H                  | 1.5000                                  | 21.29        | 3.96         | 39.70             | 38.10             |
| 25         | J                  | 1.6250                                  | 21.29        | 3.96         | 42.88             | 41.28             |

All dimensions for reference only

# Cable Clamp



\* 10-595103-XXX

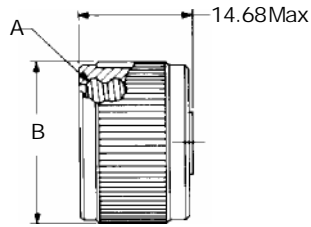
\* To complete order number, add shell size and suffix number.  
For example, shell size 11 with cadmium plate, nickel base, 10-595103-119.

| Finish                           | 10-No. Suffix |
|----------------------------------|---------------|
| Chromate treat                   | -XX0          |
| Anodic coating                   | -XX5          |
| Cadmium plate nickel base        | -XX7          |
| Olive Drab, Cadmium, nickel base | -XX9          |
| Electroless nickel               | -XXG          |

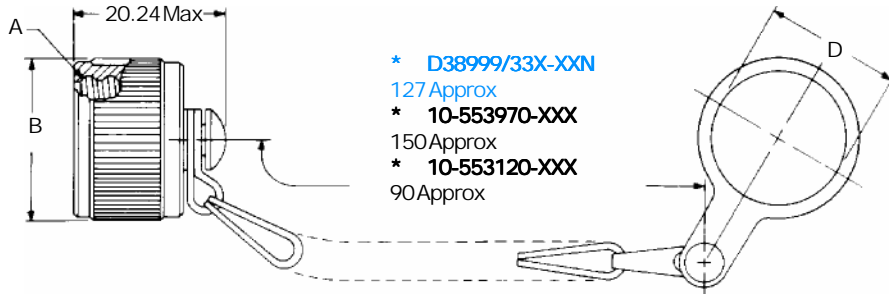
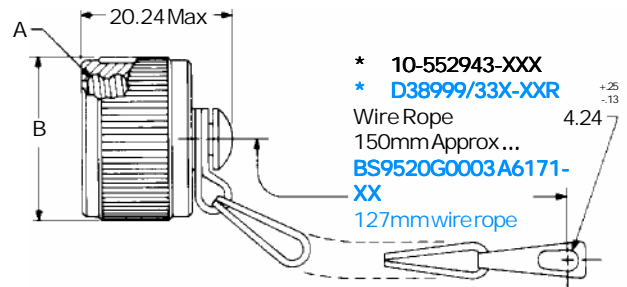
| Shell Size | A Dia<br>+.02<br>-.06 | B Dia<br>+.00<br>-.03 | L Max | Y Thread | GG Max |
|------------|-----------------------|-----------------------|-------|----------|--------|
| 9          | 3.17                  | 6.35                  | 23.42 | M12X1-6H | 19.68  |
| 11         | 4.77                  | 7.92                  | 23.42 | M15X1-6H | 20.09  |
| 13         | 7.92                  | 11.12                 | 23.42 | M18X1-6H | 24.46  |
| 15         | 9.52                  | 14.27                 | 29.76 | M22X1-6H | 27.60  |
| 17         | 12.70                 | 15.89                 | 29.76 | M25X1-6H | 29.31  |
| 19         | 15.87                 | 19.05                 | 29.76 | M28X1-6H | 35.54  |
| 21         | 15.87                 | 19.05                 | 29.76 | M31X1-6H | 35.54  |
| 23         | 19.03                 | 23.82                 | 32.94 | M34X1-6H | 40.31  |
| 25         | 20.32                 | 25.54                 | 32.94 | M37X1-6H | 42.69  |

All dimensions for reference only

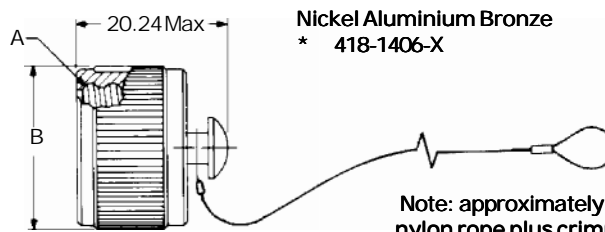
# Receptacle protection cap



\*10-55310-XXX



\* BSA6172-... 127mm wire rope



Note: approximately 450mm of nylon rope plus crimp ferrule is supplied with each 418-1406 cap

\*To complete order number, add shell size and suffix number.  
For example, shell size 11 with olive drab cadmium nickel base, 10-552943-119.

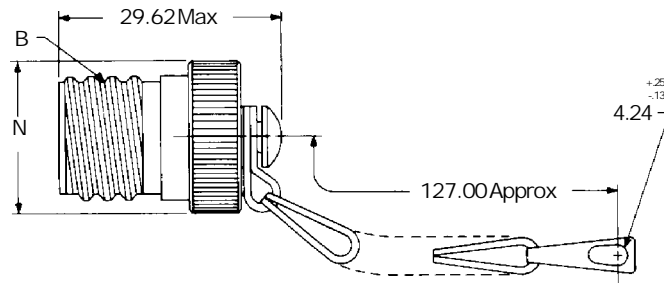
| Plating Finish on Aluminium      | 10-No. Suffix | MIL Spec Suffix |
|----------------------------------|---------------|-----------------|
| Olive Drab, Cadmium, nickel base | -XX9          | W               |
| Electroless nickel               | -XXG          | F               |

| Shell Size | MS Shell Size Code | A Thread Class 2a 0.1P-0.3L-TS | B Dia -.00 | D Dia +.25 -.00 |
|------------|--------------------|--------------------------------|------------|-----------------|
| 9          | A                  | .6250                          | 22.23      | 17.86           |
| 11         | B                  | .7500                          | 25.40      | 21.44           |
| 13         | C                  | .8750                          | 28.58      | 25.81           |
| 15         | D                  | 1.0000                         | 31.75      | 28.98           |
| 17         | E                  | 1.1875                         | 36.53      | 32.16           |
| 19         | F                  | 1.2500                         | 38.10      | 35.33           |
| 21         | G                  | 1.3750                         | 41.28      | 38.51           |
| 23         | H                  | 1.5000                         | 44.45      | 41.68           |
| 25         | J                  | 1.6250                         | 47.63      | 44.86           |

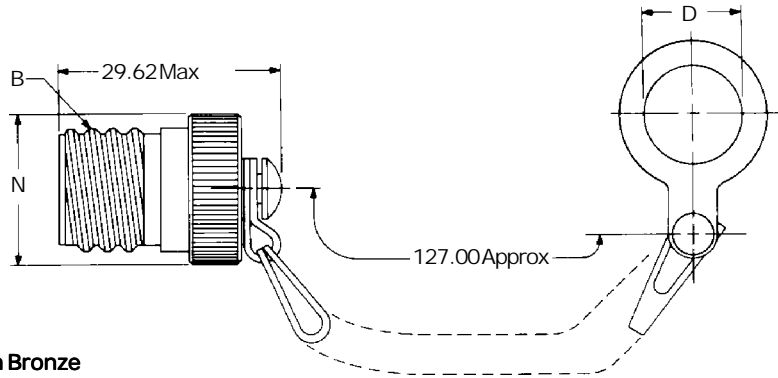
All dimensions for reference only

# Plug protection cap

- \* 10-552944-XXX
- \* BS9520G0003A6173-...
- \* D38999/32X-XXR

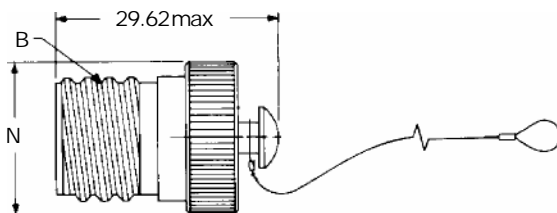


- \* 10-553998-XX
- \* D38999/32X-XXN



## Nickel Aluminium Bronze

- \* 418-1405-XX



Note: Approximately 450mm of Nylon rope, plus crimp ferrule is supplied with each 418-1405 cap.

\* To complete order number, add shell size and suffix number.  
For example, shell size 11 with olive drab cadmium nickel base, 10-552944-119.

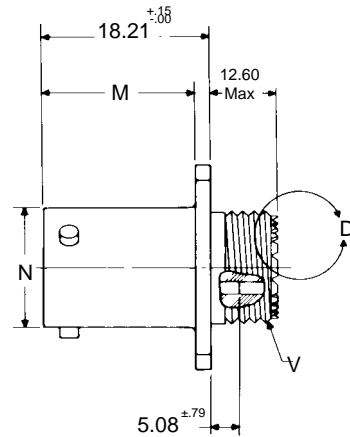
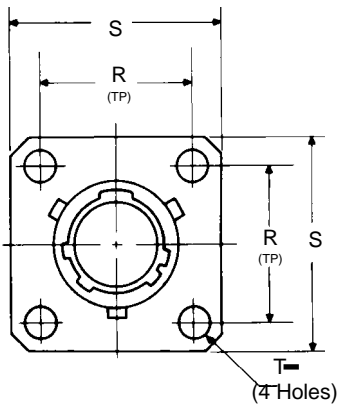
| Plating Finish on Aluminium      | 10-No. Suffix | MIL Spec Suffix |
|----------------------------------|---------------|-----------------|
| Olive Drab, Cadmium, nickel base | -XX9          | W               |
| Electroless nickel               | -XXG          | F               |

| Shell Size | MS Shell Size Code | B Thread Class 2a 0.1P-0.3L-TS | D +.25 -0.00 | N Dia Max |
|------------|--------------------|--------------------------------|--------------|-----------|
| 9          | A                  | .6250                          | 13.11        | 22.73     |
| 11         | B                  | .7500                          | 16.28        | 25.40     |
| 13         | C                  | .8750                          | 19.46        | 29.74     |
| 15         | D                  | 1.0000                         | 22.63        | 32.99     |
| 17         | E                  | 1.1875                         | 25.81        | 36.47     |
| 19         | F                  | 1.2500                         | 28.98        | 39.19     |
| 21         | G                  | 1.3750                         | 32.16        | 42.42     |
| 23         | H                  | 1.5000                         | 34.11        | 45.39     |
| 25         | J                  | 1.6250                         | 38.51        | 48.62     |

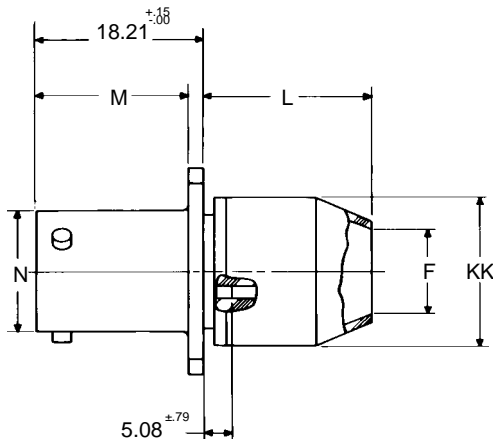
All dimensions for reference only



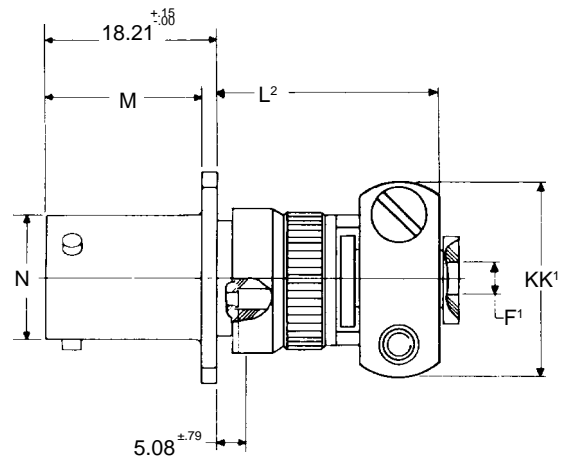
# Wall mounting receptacle



- \* LJT00RT-...
- \* MS27466T...
- \* BS-9520-G0001-C6160...

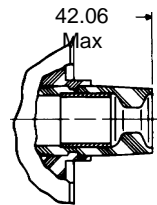


- \* LJT00RP-...
- \* MS27466P...

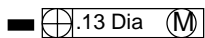


- \* LJT00RE-... (SR)

View D enlarged for coaxial use only



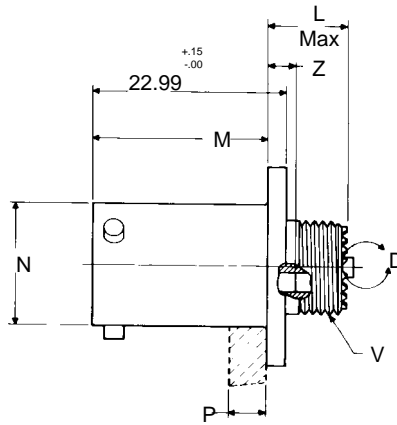
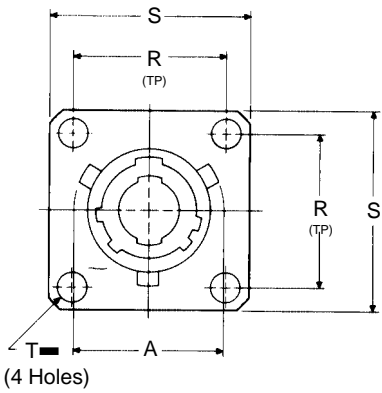
\* To complete order number, see "how to order" pages



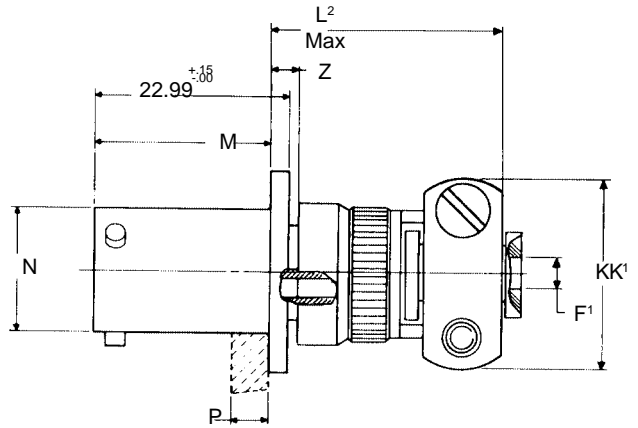
| Shell Size | M<br>+0.00<br>-0.13 | V Thread Class 2A (Plated) | N<br>+0.03<br>-0.13 | S<br>+0.41 | R (TP) | T Dia<br>+0.13 | F Dia | KK Dia Max | L Max | KK <sup>1</sup> Max | F <sup>1</sup> Dia<br>+0.25 |
|------------|---------------------|----------------------------|---------------------|------------|--------|----------------|-------|------------|-------|---------------------|-----------------------------|
| 9          | 16.05               | .4375-28UNEF               | 14.53               | 23.83      | 18.26  | 3.25           | 8.31  | 15.44      | 20.65 | 20.62               | 3.18                        |
| 11         | 16.05               | .5625-24UNEF               | 17.78               | 26.19      | 20.62  | 3.25           | 11.28 | 18.64      | 20.65 | 22.23               | 4.78                        |
| 13         | 16.05               | .6875-24UNEF               | 21.59               | 28.58      | 23.01  | 3.25           | 14.17 | 21.74      | 20.65 | 25.40               | 7.92                        |
| 15         | 16.05               | .8125-20UNEF               | 24.77               | 30.96      | 24.61  | 3.25           | 17.35 | 24.99      | 20.65 | 28.58               | 9.53                        |
| 17         | 16.05               | .9375-20UNEF               | 27.94               | 33.32      | 26.97  | 3.25           | 20.52 | 28.19      | 20.65 | 30.18               | 12.70                       |
| 19         | 16.05               | 1.0625-18UNEF              | 30.66               | 36.53      | 29.36  | 3.25           | 23.09 | 31.34      | 20.65 | 36.53               | 15.88                       |
| 21         | 15.29               | 1.1875-18UNEF              | 33.83               | 39.67      | 31.75  | 3.25           | 26.26 | 34.54      | 23.01 | 36.53               | 15.88                       |
| 23         | 15.29               | 1.3125-18UNEF              | 37.01               | 42.88      | 34.93  | 3.73           | 29.44 | 37.69      | 23.01 | 41.28               | 19.05                       |
| 25         | 15.29               | 1.4375-18UNEF              | 40.18               | 46.02      | 38.10  | 3.73           | 40.89 | 40.89      | 23.01 | 43.66               | 20.32                       |

All dimensions for reference only

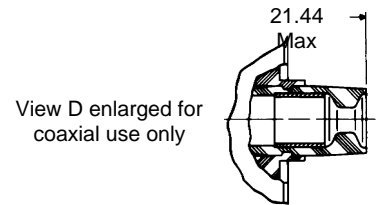
# Wall mounting receptacle (back panel mounting)



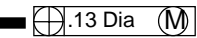
- \* BS-9520-G0001-C6163...
- \* LJTPQ00RT-...
- \* MS27656T...



- \* LJTPQ00RE-XX-XXX (SR)



\* To complete order number, see "how to order" pages



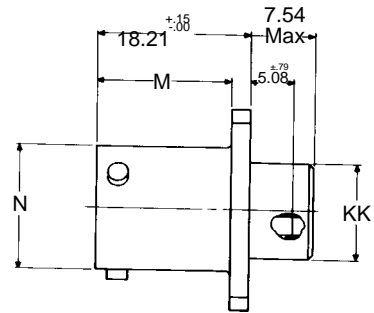
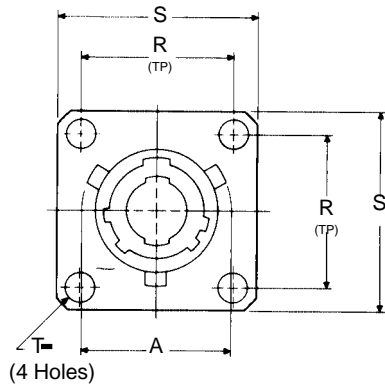
| Shell Size | F Dia<br>+.25 | L Max | L <sup>1</sup> Max | M<br>+.00<br>-.13 | N Dia | P Max Panel Thickness | R (TP) | S<br>+.28<br>-.25 | T Dia<br>+.13 | V Thread UNEF Class 2A (Plated) | Z Max | KK Dia Max | A Dia<br>+.00<br>-.41 | KK <sup>1</sup> Max | F <sup>1</sup> Dia<br>+.25<br>-.64 |
|------------|---------------|-------|--------------------|-------------------|-------|-----------------------|--------|-------------------|---------------|---------------------------------|-------|------------|-----------------------|---------------------|------------------------------------|
| 9          | 11.28         | 11.51 | 16.28              | 20.83             | 14.53 | 5.94                  | 18.26  | 23.83             | 3.25          | .4375-28                        | 3.51  | 15.88      | 16.81                 | 20.62               | 3.18                               |
| 11         | 14.17         | 11.51 | 16.28              | 20.83             | 17.78 | 5.94                  | 20.62  | 26.18             | 3.25          | .5625-24                        | 3.51  | 19.05      | 20.57                 | 22.23               | 4.78                               |
| 13         | 17.35         | 11.51 | 16.28              | 20.83             | 21.59 | 5.94                  | 23.01  | 28.58             | 3.25          | .6875-24                        | 3.51  | 22.23      | 24.38                 | 25.40               | 7.92                               |
| 15         | 20.52         | 11.51 | 16.28              | 20.83             | 24.77 | 5.94                  | 24.61  | 30.96             | 3.25          | .8125-20                        | 3.51  | 25.40      | 27.56                 | 28.58               | 9.53                               |
| 17         | 23.09         | 11.51 | 16.28              | 20.83             | 27.94 | 5.94                  | 26.97  | 33.32             | 3.25          | .9375-20                        | 3.51  | 28.58      | 30.73                 | 30.18               | 12.70                              |
| 19         | 26.26         | 11.51 | 16.28              | 20.83             | 30.66 | 5.94                  | 29.36  | 36.53             | 3.25          | 1.0625-18                       | 3.51  | 31.05      | 33.45                 | 36.53               | 15.88                              |
| 21         | 29.44         | 12.29 | 17.07              | 20.07             | 33.83 | 5.18                  | 31.75  | 39.67             | 3.25          | 1.1875-18                       | 4.27  | 34.93      | 36.53                 | 36.53               | 15.88                              |
| 23         | 32.61         | 12.29 | 17.07              | 20.07             | 37.01 | 5.18                  | 34.93  | 42.88             | 3.73          | 1.3125-18                       | 4.27  | 38.10      | 39.30                 | 41.28               | 19.05                              |
| 25         | 35.79         | 12.29 | 17.07              | 20.07             | 40.18 | 5.18                  | 38.10  | 46.02             | 3.73          | 1.4375-18                       | 4.27  | 41.28      | 42.98                 | 43.66               | 20.32                              |

All dimensions for reference only

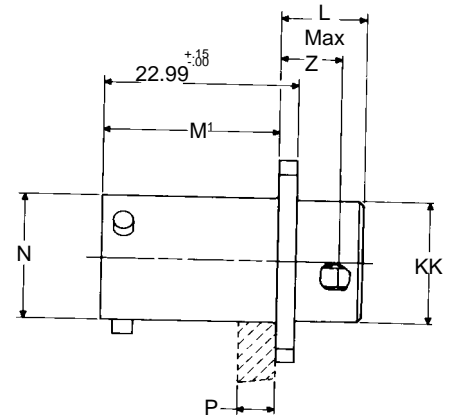
# Box mounting receptacle

## LJTP02R BS-C6164 MS27505

Box mounting receptacle (back panel mounting)

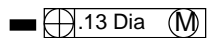


- \* LJTP02RE-...
- \* BS-9520-G0001-C6162...
- \* MS27496E...

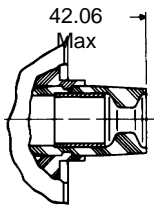


- \* LJTP02RE-...
- \* BS-9520-G0001-C6164...
- \* MS27505E...

\* To complete order number, see "how to order" pages



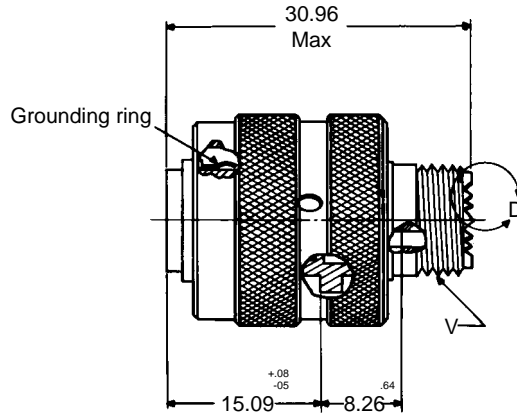
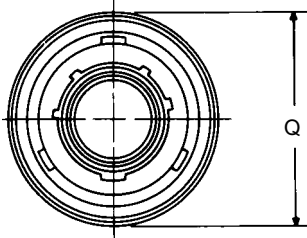
View D enlarged for coaxial use only



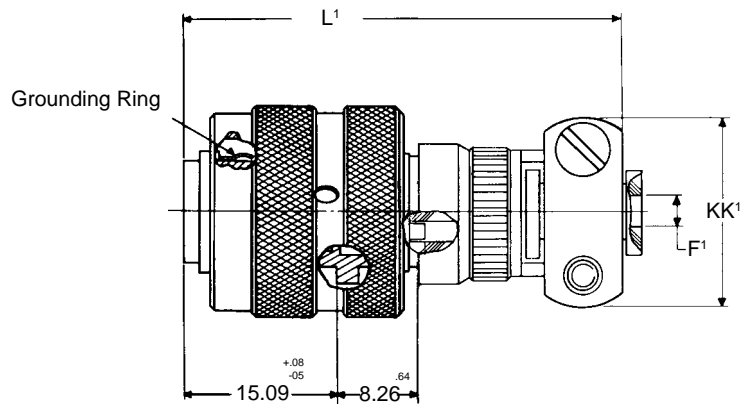
| Shell Size | L Max | M +.00 - .13 | M' +.00 - .13 | N Dia +.03 - .13 | P Max Panel Thickness | R (TP) | S +.28 - .25 | T Dia ±.13 | Z ±.79 | KK Dia +.15 - .13 | A Dia +.00 - .41 |
|------------|-------|--------------|---------------|------------------|-----------------------|--------|--------------|------------|--------|-------------------|------------------|
| 9          | 5.16  | 16.05        | 20.83         | 14.53            | 5.94                  | 18.26  | 23.33        | 3.25       | 2.72   | 11.00             | 16.81            |
| 11         | 5.16  | 16.05        | 20.83         | 17.78            | 5.94                  | 20.62  | 26.19        | 3.25       | 2.72   | 14.15             | 20.57            |
| 13         | 5.16  | 16.05        | 20.83         | 21.59            | 5.94                  | 23.01  | 28.58        | 3.25       | 2.72   | 17.17             | 24.38            |
| 15         | 5.16  | 16.05        | 20.83         | 24.77            | 5.94                  | 24.61  | 30.96        | 3.25       | 2.72   | 20.35             | 27.56            |
| 17         | 5.16  | 16.05        | 20.83         | 27.94            | 5.94                  | 26.87  | 33.32        | 3.25       | 2.72   | 23.52             | 30.73            |
| 19         | 5.16  | 16.05        | 20.83         | 30.66            | 5.94                  | 29.36  | 36.53        | 3.25       | 2.72   | 26.21             | 33.45            |
| 21         | 5.94  | 15.29        | 20.07         | 33.93            | 5.18                  | 31.75  | 39.67        | 3.25       | 3.48   | 29.39             | 36.63            |
| 23         | 5.94  | 15.29        | 20.07         | 37.01            | 5.18                  | 34.93  | 42.88        | 3.73       | 3.48   | 32.56             | 39.80            |
| 25         | 5.94  | 15.29        | 20.07         | 40.18            | 4.90                  | 38.10  | 46.02        | 3.73       | 3.48   | 35.74             | 42.98            |

All Dimensions for reference only

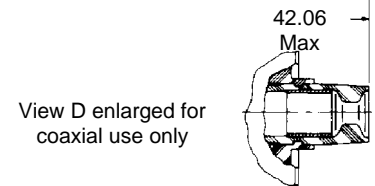
# Straight plug



- \* LJT06RE-XX-XXX
- \* MS27467E
- \* LJT06RT-XX-XXX
- \* MS27467T
- \* HE308-06T-XX-XXXX
- \* BS9520-G0001-C6165-XX-XXXX



- \* LJT06RE-XX-XXX (SR)



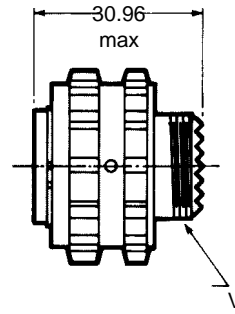
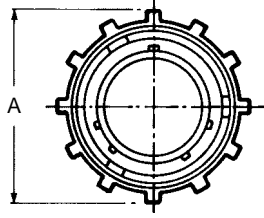
View D enlarged for coaxial use only

\* To complete order number, see "how to order" page

| Shell Size | L Max | L <sup>1</sup> Max | V Thread Class 2a (Plated) | Q Max | F Dia | KK Dia Max | KK <sup>1</sup> max | F <sup>1</sup> Dia +.010 -0.025 |
|------------|-------|--------------------|----------------------------|-------|-------|------------|---------------------|---------------------------------|
| 9          | 38.89 | 48.00              | .4375-28UNEF               | 21.44 | 8.31  | 15.44      | 20.62               | 3.18                            |
| 11         | 38.89 | 48.00              | .5625-24UNEF               | 24.61 | 11.28 | 18.64      | 22.23               | 4.78                            |
| 13         | 38.89 | 48.00              | .6875-24UNEF               | 28.98 | 14.17 | 21.79      | 25.40               | 7.92                            |
| 15         | 38.89 | 54.35              | .8125-20UNEF               | 32.16 | 17.35 | 24.99      | 28.58               | 9.53                            |
| 17         | 38.89 | 54.35              | .9375-20UNEF               | 35.33 | 20.52 | 28.19      | 30.18               | 12.70                           |
| 19         | 38.89 | 54.35              | 1.0625-18UNEF              | 38.10 | 23.09 | 31.34      | 36.53               | 15.88                           |
| 21         | 41.28 | 54.35              | 1.1875-18UNEF              | 41.28 | 26.26 | 34.54      | 36.53               | 15.88                           |
| 23         | 41.28 | 57.54              | 1.3125-18UNEF              | 44.45 | 29.44 | 37.68      | 41.28               | 19.05                           |
| 25         | 41.28 | 57.54              | 1.4375-18UNEF              | 47.63 | 32.61 | 40.89      | 43.66               | 20.32                           |

All dimensions for reference only

# Straight Plug (with heavy duty coupling ring)

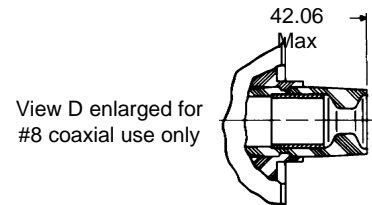


- \* LJT06RT-XX-XX (WXX)
- \* BS-9520-G0001-C6165-XXXXX

\* To complete order number, see "how to order" page

All other dimension are as per standard plug

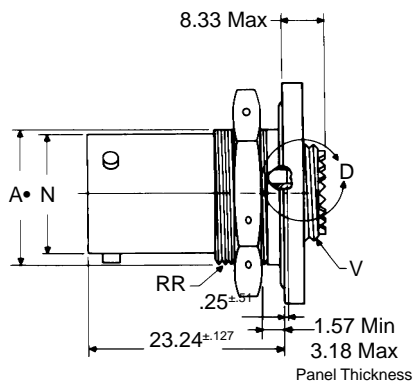
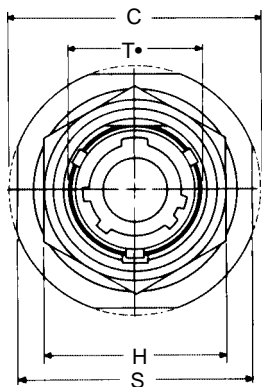
| Finish                               | Military Finish Data | Normal Finish Deviation | Heavy Duty Coupling Ring + Finish Deviation |
|--------------------------------------|----------------------|-------------------------|---|
| Cadmium plated nickel base           | A                    |                         | W03   |
| Olive drab cadmium plate nickel base | B                    | (014)                   | W09   |
| Electroless nickel                   | F                    | (023)                   | W12   |



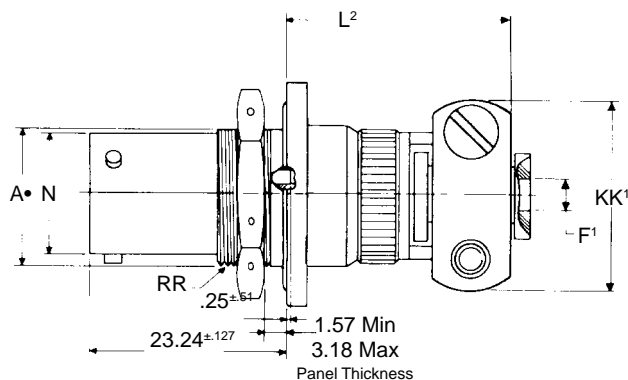
| Shell Size | V Thread Class 2A (Plated) | A Max |
|------------|----------------------------|-------|
| 9          | .4375-28UNEF               | 24.87 |
| 11         | .5625-24UNEF               | 29.01 |
| 13         | .6875-24UNEF               | 32.18 |
| 15         | .8125-20UNEF               | 35.58 |
| 17         | .9375-20UNEF               | 38.23 |
| 19         | 1.0625-18UNEF              | 41.94 |
| 21         | 1.1875-18UNEF              | 45.11 |
| 23         | 1.3125-18UNEF              | 48.18 |
| 25         | 1.4375-18UNEF              | 49.73 |



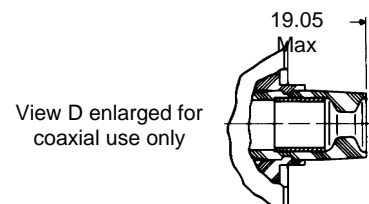
# Jam nut receptacle



- \* LJT07RT-...
- \* BS-9520-G0001-C6167...
- \* HE308-07T...
- \* MS 27468T...



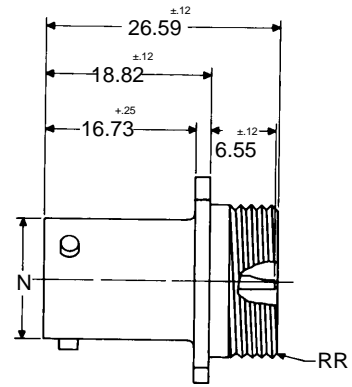
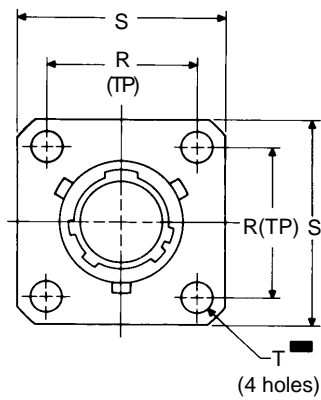
- \* LJT07RE-XX-XXX (SR)



- "D" shaped mounting hole dimensions
- \* To complete order number, see "how to order" page

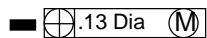
| Shell Size | RR Thread Class 2A (Plated) | N<br>+.03<br>-.13 | A•<br>+.00<br>-.25 | T•<br>+.25<br>-.00 | C<br>Max | H<br>Hex<br>+.43<br>-.41 | S<br>±.41 | V Thread Class 2A (Plated) | KK Dia<br>Max | F Dia | L<br>Max | KK <sup>1</sup><br>Max | F <sup>1</sup><br>Dia<br>+.25<br>-.64 |
|------------|-----------------------------|-------------------|--------------------|--------------------|----------|--------------------------|-----------|----------------------------|---------------|-------|----------|------------------------|---------------------------------------|
| 9          | .6875-24UNEF                | 14.53             | 16.99              | 17.70              | 30.45    | 22.23                    | 26.97     | .4375-28UNEF               | 15.44         | 8.31  | 15.88    | 20.62                  | 3.18                                  |
| 11         | .8125-20UNEF                | 17.78             | 19.53              | 20.88              | 35.20    | 25.40                    | 31.75     | .5625-24UNEF               | 18.64         | 11.28 | 15.88    | 22.23                  | 4.78                                  |
| 13         | 1.0000-20UNEF               | 21.59             | 24.26              | 25.38              | 33.38    | 30.18                    | 34.93     | .6875-24UNEF               | 21.79         | 14.17 | 15.88    | 25.40                  | 7.92                                  |
| 15         | 1.1250-18UNEF               | 24.77             | 27.53              | 28.80              | 41.55    | 33.32                    | 38.10     | .8125-20UNEF               | 24.99         | 17.35 | 15.88    | 28.38                  | 9.53                                  |
| 17         | 1.2500-18UNEF               | 27.94             | 30.68              | 31.93              | 44.73    | 36.53                    | 41.28     | .9375-20UNEF               | 28.19         | 20.52 | 15.88    | 30.18                  | 12.70                                 |
| 19         | 1.3750-18UNEF               | 30.66             | 33.86              | 35.15              | 49.50    | 39.67                    | 46.02     | 1.0625-18UNEF              | 31.34         | 23.09 | 15.88    | 36.53                  | 15.88                                 |
| 21         | 1.5000-18UNEF               | 33.83             | 37.06              | 38.28              | 52.65    | 42.88                    | 49.23     | 1.1875-18UNEF              | 34.54         | 26.26 | 19.05    | 36.53                  | 15.88                                 |
| 23         | 1.6250-18UNEF               | 37.01             | 40.13              | 41.50              | 55.35    | 46.02                    | 52.37     | 1.3125-18UNEF              | 37.69         | 29.44 | 19.05    | 41.28                  | 19.05                                 |
| 25         | 1.7500-18UNS                | 40.18             | 43.41              | 44.68              | 59.00    | 50.30                    | 55.58     | 1.4375-18UNEF              | 40.39         | 32.61 | 19.05    | 43.66                  | 20.32                                 |

# Wall mounting receptacle



- \* LJT00H-XX-XXX
- \*\* LJT00Y-XX-XXX
- \*\* MS27469YXXDXXXX
- \*\*\* LJTS00Y-XX-XXX
- \*\*\* MS27469YXXEXXXX

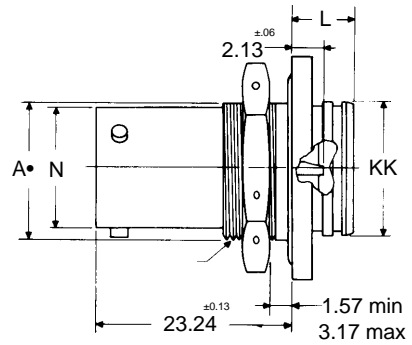
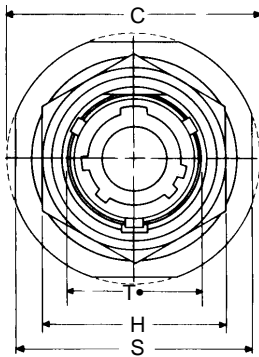
- \* To complete order number, see "how to order" page
- \*\* Interfacial seal wafer, to complete order number, see "how to order" page
- \*\*\* High temperature version, interfacial seal wafer with stainless steel shell, to complete order number see "how to order" page



| Shell Size | N Dia<br>+.02<br>-.12 | R (TP) | S<br>±0.40 | RR Thread Class 2A | T Dia<br>±0.12 |
|------------|-----------------------|--------|------------|--------------------|----------------|
| 9          | 14.52                 | 18.26  | 23.82      | .6875-24UNEF       | 3.25           |
| 11         | 17.78                 | 20.62  | 26.18      | .8125-20UNEF       | 3.25           |
| 13         | 21.59                 | 23.01  | 28.57      | .9375-20UNEF       | 3.25           |
| 15         | 24.76                 | 24.61  | 30.96      | 1.0625-18UNEF      | 3.25           |
| 17         | 27.94                 | 26.97  | 33.82      | 1.1875-18UNEF      | 3.25           |
| 19         | 30.65                 | 29.36  | 36.52      | 1.3125-18UNEF      | 3.25           |
| 21         | 33.83                 | 31.75  | 39.67      | 1.4375-18UNEF      | 3.25           |
| 23         | 37.00                 | 34.92  | 42.87      | 1.5625-18UNEF      | 3.73           |
| 25         | 40.18                 | 38.10  | 46.02      | 1.6875-18UNEF      | 3.78           |

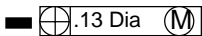
All dimensions for reference only

# Jam nut receptacle



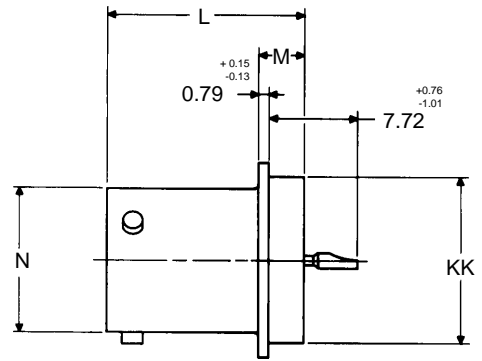
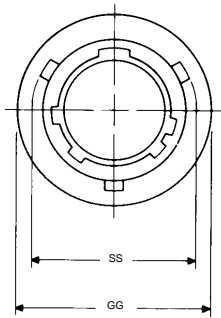
- \* LJT07H-XX-XXX
- \*\* LJT07Y-XX-XXX
- \*\* MS27470YXXDXXXX
- \*\*\* LJTS07Y-XX-XXX
- \*\*\* MS27470YXXEXXXX

- "D" shaped mounting hole dimensions
- \* To complete order number, see "how to order" page
- \*\* Interfacial seal wafer, to complete order number, see "how to order" page
- \*\*\* High temperature version, interfacial seal wafer with stainless steel shell, to complete order number see "how to order" page



| Shell Size | L Max | KK +0.27 -0.00 | RR Thread Class 2A (Plated) | N +.00 -.13 | A• +.00 -.02 | T• +.02 -.00 | C Max | H Hex +0.43 -0.41 | S ±0.41 |
|------------|-------|----------------|-----------------------------|-------------|--------------|--------------|-------|-------------------|---------|
| 9          | 7.54  | 16.30          | .6875-24UNEF                | 14.52       | 16.55        | 17.70        | 30.45 | 22.22             | 26.97   |
| 11         | 7.54  | 19.45          | .8125-20UNEF                | 17.78       | 19.57        | 20.87        | 35.20 | 25.40             | 31.75   |
| 13         | 7.54  | 22.65          | 1.0000-20UNEF               | 21.59       | 24.25        | 25.57        | 38.79 | 30.17             | 34.92   |
| 15         | 7.54  | 25.85          | 1.1250-18UNEF               | 24.76       | 27.53        | 28.80        | 41.55 | 33.32             | 38.10   |
| 17         | 7.54  | 29.01          | 1.2500-18UNEF               | 27.94       | 30.68        | 31.97        | 44.72 | 36.52             | 41.27   |
| 19         | 8.33  | 32.20          | 1.3750-18UNEF               | 30.65       | 33.85        | 35.15        | 49.50 | 39.67             | 46.02   |
| 21         | 8.33  | 35.35          | 1.5000-18UNEF               | 33.83       | 37.05        | 38.27        | 52.65 | 42.87             | 49.22   |
| 23         | 8.33  | 38.55          | 1.6250-18UNEF               | 37.01       | 40.13        | 41.50        | 55.85 | 46.02             | 52.37   |
| 25         | 8.32  | 41.70          | 1.7500-18UNS                | 40.18       | 43.40        | 44.67        | 25.40 | 50.80             | 55.57   |

# Solder mounting receptacle



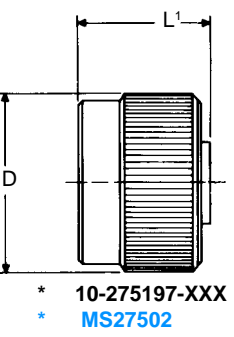
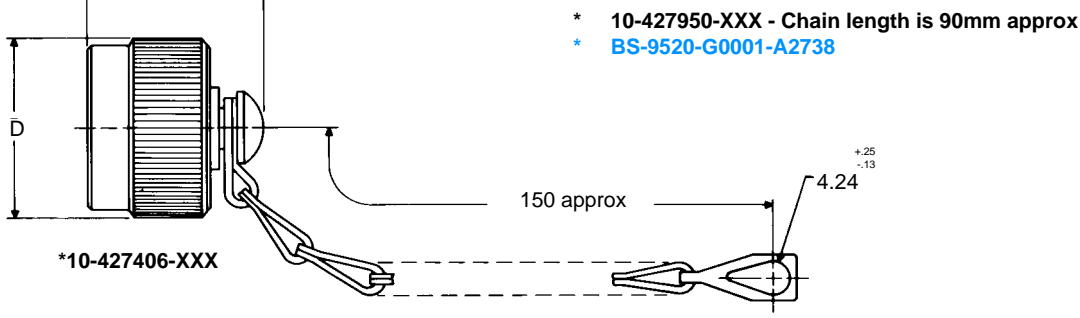
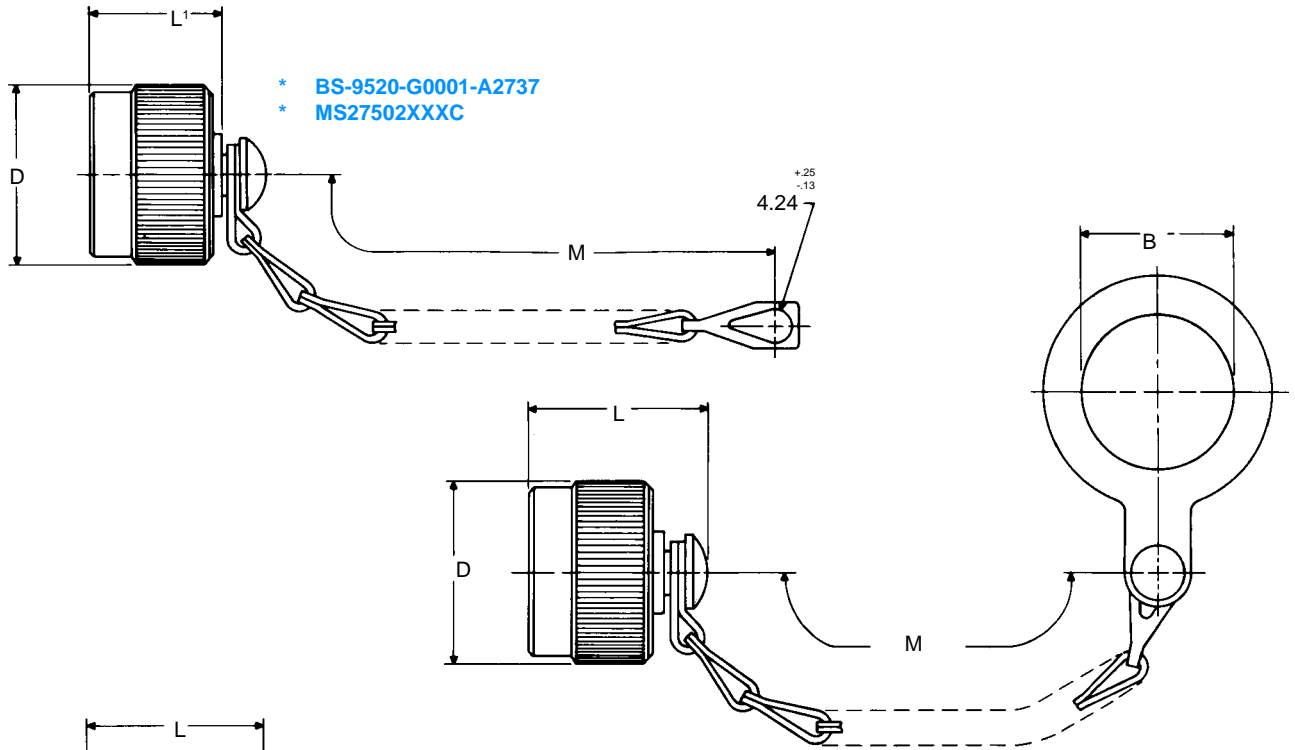
- \* LJT1H-...
- \*\* LJT1Y-...
- \*\* MS27470YXXD
- \*\*\* LJTS1Y-...
- \*\*\* MS27470YXXE

- \* To complete order number, see "how to order" page
- \*\* Interfacial seal wafer, to complete order number, see "how to order" page
- \*\*\* High temperature version, interfacial seal wafer with stainless steel shell, to complete order number see "how to order" page

| Shell Size | N Dia<br>+0.02<br>-0.13 | SS Dia<br>+0.00<br>0.40 | L<br>+0.28<br>-0.00 | M<br>+0.15<br>-0.13 | GG Dia<br>+0.28<br>-0.25 | KK Dia<br>+0.02<br>-0.13 |
|------------|-------------------------|-------------------------|---------------------|---------------------|--------------------------|--------------------------|
| 9          | 14.53                   | 16.81                   | 20.04               | 3.17                | 19.05                    | 17.07                    |
| 11         | 14.78                   | 20.57                   | 20.04               | 3.17                | 21.36                    | 19.84                    |
| 13         | 21.59                   | 24.38                   | 20.04               | 3.17                | 24.61                    | 25.01                    |
| 15         | 24.76                   | 28.16                   | 20.04               | 3.17                | 24.79                    | 26.19                    |
| 17         | 27.94                   | 30.73                   | 20.04               | 3.17                | 30.94                    | 29.36                    |
| 19         | 30.66                   | 33.45                   | 20.04               | 3.17                | 33.32                    | 31.75                    |
| 21         | 33.83                   | 36.63                   | 20.04               | 3.17                | 36.52                    | 34.92                    |
| 23         | 37.01                   | 39.80                   | 20.85               | 3.96                | 39.70                    | 38.10                    |
| 25         | 40.18                   | 42.97                   | 20.85               | 3.96                | 42.87                    | 41.27                    |

All dimensions for reference only

# Receptacle protection cap



\* To complete order number, add shell size and suffix number. For example, shell size 11 with cadmium plate, nickel base, 10-427406-117, MS27502A11C

Nylon cord & insulated wire rope caps are available on request

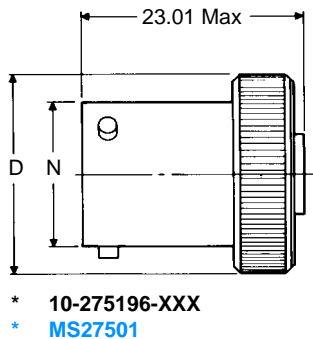
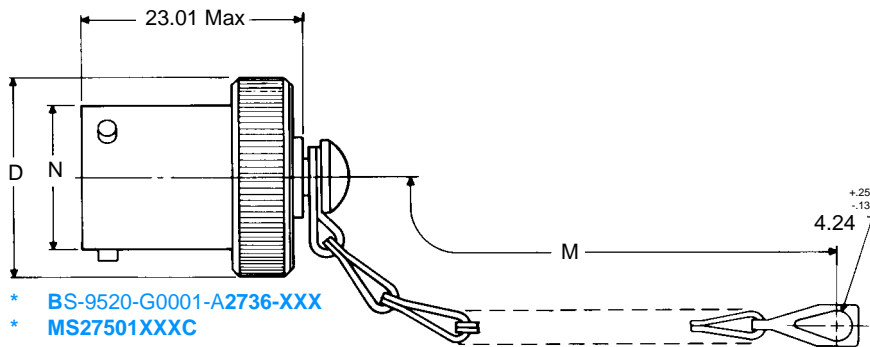
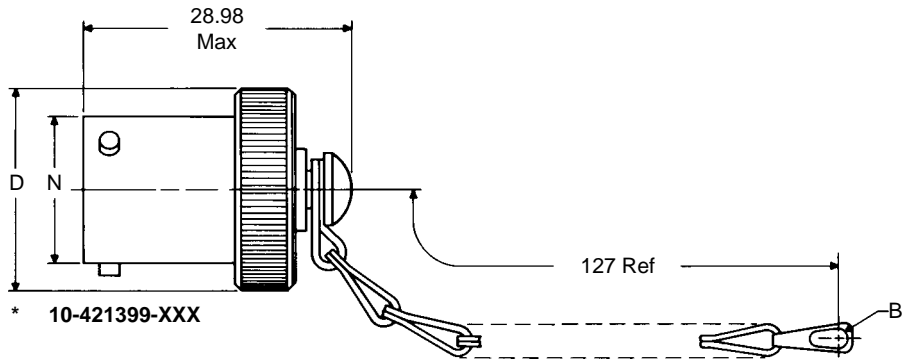
| Shell Size | B Dia<br>+.25<br>-.00 | D Dia<br>Max | L Max | L <sup>1</sup> Max | M<br>±6.00 |
|------------|-----------------------|--------------|-------|--------------------|------------|
| 9          | 17.86                 | 21.44        | 27.18 | 21.44              | 76         |
| 11         | 21.44                 | 24.61        | 27.18 | 21.44              | 76         |
| 13         | 25.81                 | 28.58        | 27.18 | 21.44              | 89         |
| 15         | 28.98                 | 31.75        | 27.18 | 21.44              | 89         |
| 17         | 32.16                 | 35.71        | 27.18 | 21.44              | 89         |
| 19         | 35.53                 | 38.10        | 27.18 | 21.44              | 89         |
| 21         | 38.51                 | 41.28        | 27.18 | 21.44              | 102        |
| 23         | 41.68                 | 44.45        | 27.18 | 21.44              | 102        |
| 25         | 44.86                 | 47.63        | 27.66 | 22.23              | 102        |

| Finish                           | 10-No. Suffix | MS No. Suffix With Chain | MS No. Suffix Without Chain |
|----------------------------------|---------------|--------------------------|-----------------------------|
| Chromate treat                   | -XX0          |                          |                             |
| Anodic coating                   | -XX5          | CXXC                     |                             |
| Cadmium plate nickel base        | -XX7          | AXXC                     | AXX                         |
| Olive Drab, Cadmium, nickel base | -XX9          | BXXC                     | BXX                         |
| Electroless nickel               | -XXG          | FXXC                     | FXX                         |

All dimensions for reference only



# Plug protection cap



Nylon cord & wire rope caps are available on request

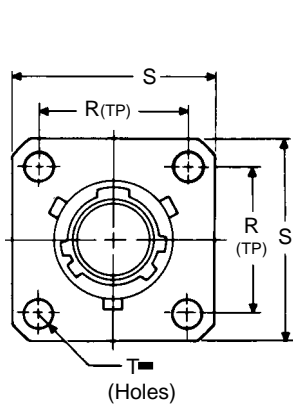
\* To complete order number, add shell size and suffix number.

For example, shell size 11 with cadmium plate, nickel base, 10-421399-117, MS27501A11C or MS20048A11

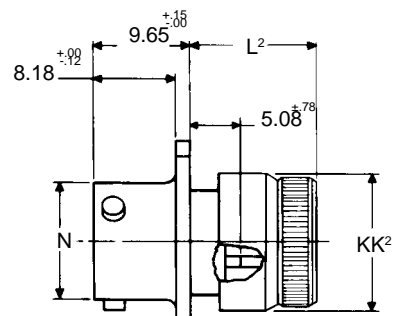
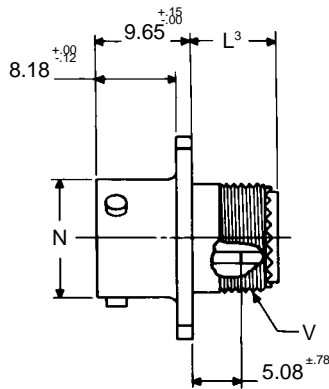
| Shell Size | B Dia Ref. | D Dia Max. | M ±6.35 | N Dia +.03 -0.13 |
|------------|------------|------------|---------|------------------|
| 9          | 4.57       | 20.62      | 76.00   | 14.53            |
| 11         | 4.57       | 23.83      | 76.00   | 17.78            |
| 13         | 4.57       | 26.97      | 89.00   | 21.59            |
| 15         | 4.57       | 30.18      | 89.00   | 24.77            |
| 17         | 4.57       | 33.32      | 89.00   | 27.94            |
| 19         | 5.31       | 36.53      | 89.00   | 30.66            |
| 21         | 5.31       | 39.67      | 102.00  | 33.83            |
| 23         | 5.31       | 42.88      | 102.00  | 37.01            |
| 25         | 5.31       | 46.02      | 102.00  | 40.18            |

| Finish                           | 10-No. Suffix | MS No. Suffix With Chain | MS No. Suffix Without Chain |
|----------------------------------|---------------|--------------------------|-----------------------------|
| Chromate treat                   | -XX0          |                          |                             |
| Anodic coating                   | -XX5          | CXXC                     |                             |
| Cadmium plate nickel base        | -XX7          | AXXC                     | AXX                         |
| Olive Drab, Cadmium, nickel base | -XX9          | BXXC                     | BXX                         |
| Electroless nickel               | -XXG          | FXXC                     | FXX                         |

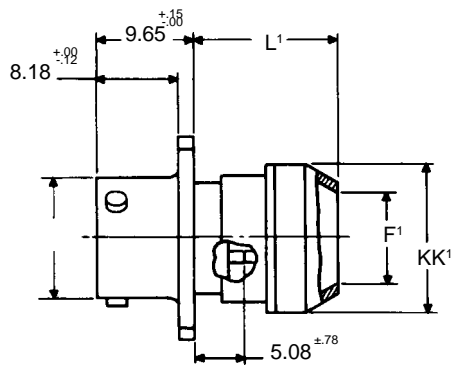
# Wall mounting receptacle



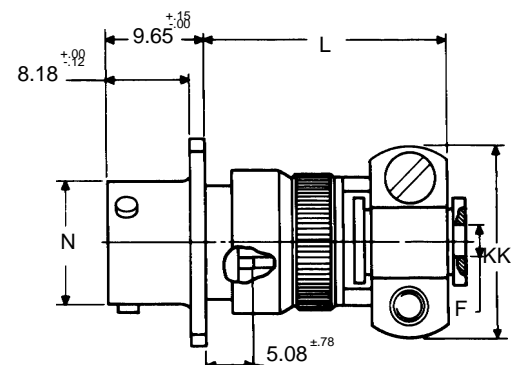
- \* JT00RT-XX-XXX
- \*\* JTS00RT-XX-XXX
- \*\*\* JTN00RT-XX-XXX
- \* C2022
- \* MS27472T



- \* JT00RE-XX-XXX
- \* MS27472E
- \*\* JTS00RE-XX-XXX
- \*\* MS27479E
- \*\*\* JTN00RE-XX-XXX

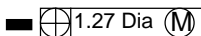


- \* JT00RP-XX-XXX
- \*\* JTS00RP-XX-XXX
- \*\*\* JTN00RP-XX-XXX
- \* MS27472P
- \* MS27479P



- \* JT00RE-XX-XXX (SR)
- \*\* JTS00RE-XX-XXX (SR)
- \*\*\* JTN00RE-XX-XXX (SR)

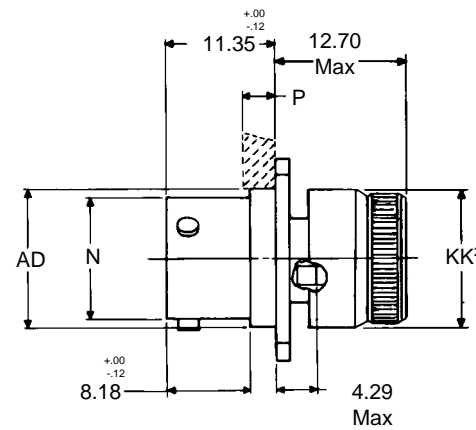
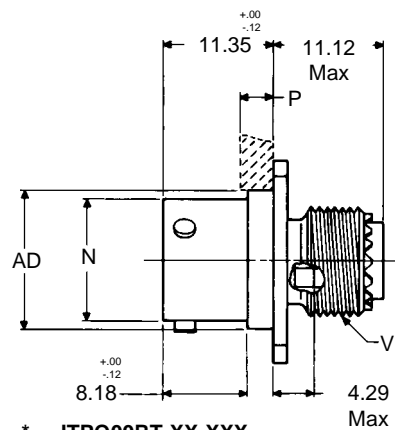
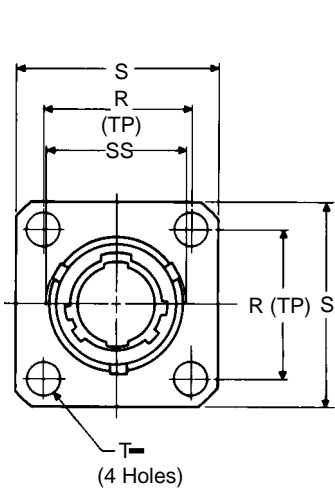
\* To complete order number, see "How to order" pages  
 \*\* High temperature version.  
 \*\*\* Clear iridite finish (gold colour), N<sub>2</sub>O<sub>4</sub> resistant



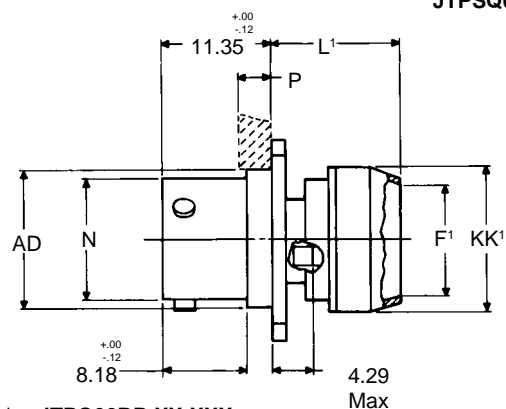
| Shell Size | KK Max | KK <sup>1</sup> Dia Max | KK <sup>2</sup> Dia Max | F Dia +.25 - .63 | F <sup>1</sup> Dia | L Max | L <sup>1</sup> Max | L <sup>2</sup> Max | L <sup>3</sup> Max | R (TP) | S ±.41 | T ±.13 | N +.02 - .13 | V Thread UNEF Class 2A |
|------------|--------|-------------------------|-------------------------|------------------|--------------------|-------|--------------------|--------------------|--------------------|--------|--------|--------|--------------|------------------------|
| 8          | 20.62  | 15.89                   | 14.68                   | 3.18             | 11.28              | 27.79 | 15.47              | 13.89              | 12.70              | 15.09  | 20.62  | 3.05   | 12.01        | .4375-28               |
| 10         | 22.23  | 19.05                   | 17.86                   | 4.78             | 14.17              | 27.79 | 15.47              | 13.89              | 12.70              | 18.26  | 23.83  | 3.05   | 14.99        | .5625-24               |
| 12         | 25.40  | 22.23                   | 21.03                   | 7.92             | 17.35              | 27.79 | 15.47              | 13.89              | 12.70              | 20.62  | 26.89  | 3.05   | 19.05        | .6875-24               |
| 14         | 28.58  | 25.40                   | 24.81                   | 9.53             | 20.52              | 34.14 | 15.47              | 13.89              | 12.70              | 23.01  | 28.58  | 3.05   | 22.23        | .8125-20               |
| 16         | 30.18  | 28.58                   | 27.38                   | 12.70            | 23.09              | 34.14 | 15.47              | 13.89              | 12.70              | 24.61  | 30.96  | 3.05   | 25.40        | .9375-20               |
| 18         | 36.53  | 31.75                   | 30.56                   | 15.88            | 26.26              | 34.14 | 15.47              | 13.89              | 12.70              | 26.97  | 33.32  | 3.05   | 28.58        | 1.0625-18              |
| 20         | 36.53  | 34.93                   | 33.73                   | 15.88            | 29.44              | 34.14 | 15.47              | 13.89              | 12.70              | 29.36  | 36.53  | 3.05   | 31.75        | 1.1875-18              |
| 22         | 41.28  | 38.60                   | 36.91                   | 19.05            | 32.61              | 37.31 | 15.47              | 13.89              | 12.70              | 31.75  | 39.67  | 3.05   | 34.73        | 1.3125-18              |
| 24         | 43.66  | 41.28                   | 40.08                   | 20.32            | 35.79              | 37.31 | 17.48              | 13.89              | 12.70              | 34.93  | 42.88  | 3.05   | 38.10        | 1.4375-18              |

All dimensions for reference only

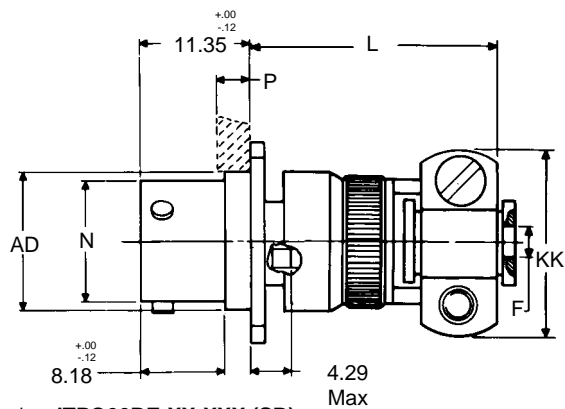
# Wall mounting (back panel mounting)



- \* JTPQ00RT-XX-XXX
- \* BS-9520-G0002-C2023-XXX
- \* MS27497T-XX-XXX
- \* HE309 03T-XXXX
- \* PAN6432-1B-XX-XXX
- \*\* JTPSQ00RT-XX-XXX

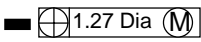


- \* JTPQ00RP-XX-XXX
- \* MS27597P



- \* JTPQ00RE-XX-XXX (SR)

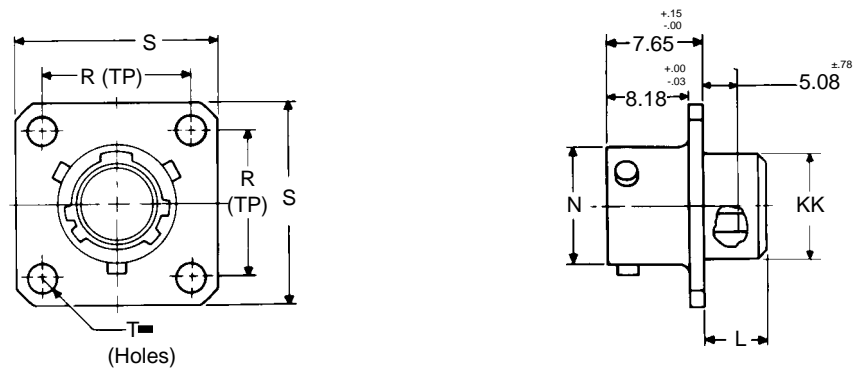
\* To complete order number see "How to order" pages  
 \*\* High temperature version, to complete order number see "How to order" pages



| Shell Size | F Dia<br>+.25<br>-.64 | F <sup>1</sup> Dia<br>±.25 | L Max | L <sup>1</sup> Max | N Dia<br>+.03<br>-.13 | P Max<br>Panel<br>Thickness | R (TP) | S<br>±.41 | T Dia<br>±.13 | V Thread<br>UNEF<br>Class 2a<br>(Plated) | AD Dia<br>±.13 | KK Max | KK <sup>1</sup> Dia<br>Max | KK <sup>2</sup> Dia<br>Max | SS Dia<br>+.00<br>-.41 |
|------------|-----------------------|----------------------------|-------|--------------------|-----------------------|-----------------------------|--------|-----------|---------------|--|----------------|--------|----------------------------|----------------------------|------------------------|
| 8          | 3.18                  | 11.28                      | 28.96 | 11.89              | 12.01                 | 3.61                        | 15.09  | 20.62     | 3.05          | .4375-28                                 | 13.11          | 19.84  | 15.88                      | 14.68                      | 14.30                  |
| 10         | 4.78                  | 14.17                      | 28.96 | 11.89              | 14.98                 | 3.61                        | 18.26  | 23.83     | 3.05          | .5625-24                                 | 16.08          | 21.44  | 19.05                      | 17.86                      | 17.27                  |
| 12         | 7.92                  | 17.35                      | 28.96 | 11.89              | 19.05                 | 3.61                        | 20.62  | 26.19     | 3.05          | .6875-24                                 | 20.37          | 24.61  | 22.23                      | 21.03                      | 21.82                  |
| 14         | 9.53                  | 20.52                      | 34.93 | 11.89              | 22.23                 | 3.61                        | 23.01  | 28.58     | 3.05          | .8125-20                                 | 23.55          | 27.79  | 25.40                      | 24.21                      | 24.99                  |
| 16         | 12.70                 | 23.09                      | 34.93 | 11.89              | 25.40                 | 3.61                        | 24.61  | 30.96     | 3.05          | .9375-20                                 | 26.72          | 29.31  | 28.58                      | 27.38                      | 28.14                  |
| 18         | 15.88                 | 26.26                      | 34.93 | 11.89              | 28.58                 | 3.61                        | 26.97  | 33.32     | 3.05          | 1.0625-18                                | 29.90          | 35.71  | 31.75                      | 30.56                      | 31.32                  |
| 20         | 15.88                 | 29.44                      | 34.93 | 11.89              | 31.75                 | 3.61                        | 29.36  | 36.53     | 3.05          | 1.1875-18                                | 33.07          | 35.71  | 34.93                      | 33.73                      | 34.49                  |
| 22         | 19.05                 | 32.61                      | 38.51 | 11.89              | 34.93                 | 3.61                        | 31.75  | 39.67     | 3.05          | 1.3125-18                                | 36.25          | 40.49  | 38.10                      | 36.91                      | 37.67                  |
| 24         | 20.32                 | 35.79                      | 38.10 | 13.72              | 38.10                 | 3.61                        | 34.93  | 42.88     | 3.73          | 1.4375-18                                | 39.42          | 42.88  | 41.28                      | 40.08                      | 40.89                  |

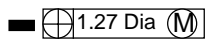
All dimensions for reference only

# Box mounting receptacle



- \* JT02RE-...
- \* BS-9520-G0002-C2251-...
- \* MS27499E-...
- \*\* JTS02RE-...
- \*\*\* JTN02RE-...

- \* To complete order number, see "How to order" pages
- \*\* High temperature version
- \*\*\* Clear iridite finish (gold colour), N<sub>2</sub>O<sub>4</sub> resistant

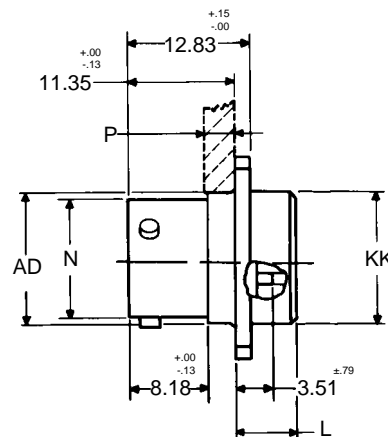
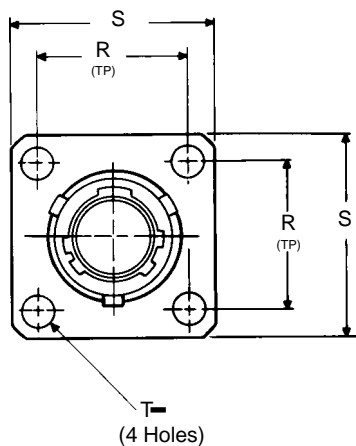


| Shell Size | L Max | KK Max | S ±.41 | R (TP) | T ±.13 | N +.03<br>-.13 |
|------------|-------|--------|--------|--------|--------|----------------|
| 8          | 7.26  | 11.13  | 20.62  | 15.09  | 3.05   | 12.01          |
| 10         | 7.26  | 14.30  | 23.83  | 18.26  | 3.05   | 14.99          |
| 12         | 7.26  | 17.48  | 26.19  | 20.62  | 3.05   | 19.05          |
| 14         | 7.26  | 20.65  | 28.58  | 23.01  | 3.05   | 22.23          |
| 16         | 7.26  | 23.83  | 30.96  | 24.61  | 3.05   | 25.40          |
| 18         | 7.26  | 26.59  | 33.32  | 26.97  | 3.05   | 28.58          |
| 20         | 7.26  | 29.77  | 36.53  | 29.36  | 3.05   | 31.75          |
| 22         | 7.26  | 32.94  | 39.67  | 31.75  | 3.05   | 34.93          |
| 24         | 7.26  | 36.11  | 42.88  | 34.93  | 3.73   | 38.10          |

All dimensions for reference only

Note: For applications requiring an environmental seal, please refer to JT00R

# Box mounting receptacle (back panel mounting)



- \* JTP02RE-XX-XXX
- \* BS-9520-G0002-C2253-...
- \* MS27508E-...
- \* PAN 6433-1E-...
- \*\* JTPN02RE-XX-XX
- \*\*\* JTPS02RE-XX-XXX

- \* To complete order number, see "How to order" pages
- \*\* High temperature version.
- \*\*\* Clear iridite finish (gold colour),  $N_2O_4$  resistant

■  $\text{Ø}1.27 \text{ Dia (M)}$

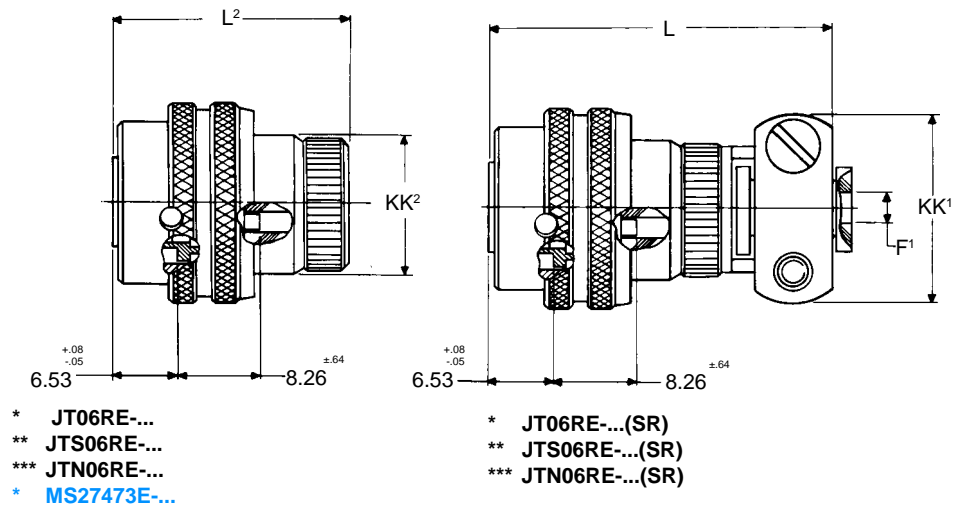
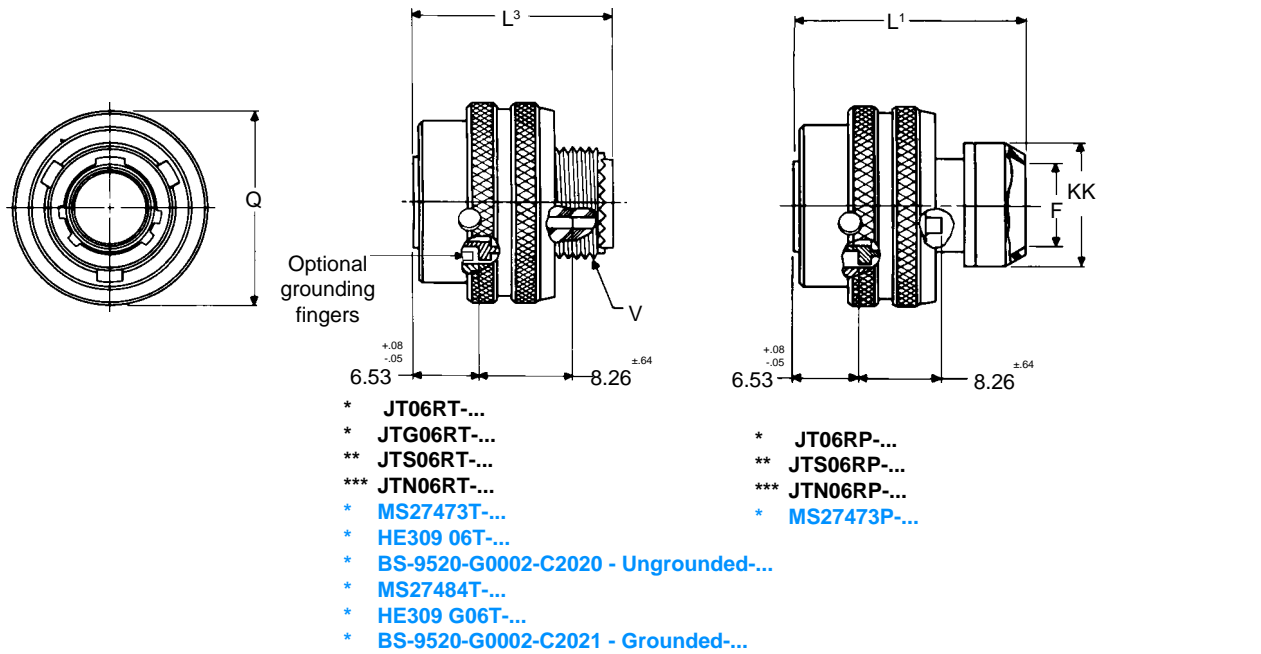
| Shell Size | N Dia<br>+0.03<br>-0.13 | R (TP) | S<br>±.41 | L<br>Max | AD<br>Dia<br>±.13 | T<br>Dia<br>±.13 | P<br>Max Panel<br>Thickness | KK<br>Max |
|------------|-------------------------|--------|-----------|----------|-------------------|------------------|-----------------------------|-----------|
| 8          | 12.01                   | 15.09  | 20.62     | 5.72     | 13.11             | 3.05             | 3.73                        | 13.49     |
| 10         | 15.00                   | 18.26  | 23.83     | 5.72     | 16.08             | 3.05             | 3.86                        | 16.66     |
| 12         | 19.05                   | 20.62  | 26.19     | 5.72     | 20.37             | 3.05             | 3.86                        | 21.03     |
| 14         | 22.23                   | 23.01  | 28.58     | 5.72     | 23.55             | 3.05             | 3.86                        | 24.21     |
| 16         | 25.40                   | 24.61  | 30.96     | 5.72     | 26.72             | 3.05             | 3.86                        | 27.89     |
| 18         | 28.58                   | 26.97  | 33.32     | 5.72     | 29.90             | 3.05             | 3.86                        | 30.56     |
| 20         | 31.75                   | 29.36  | 36.53     | 5.72     | 33.07             | 3.05             | 4.55                        | 33.73     |
| 22         | 34.93                   | 31.75  | 39.67     | 5.72     | 36.25             | 3.05             | 4.55                        | 36.91     |
| 24         | 38.10                   | 34.93  | 42.88     | 5.72     | 39.42             | 3.73             | 4.29                        | 40.08     |

All dimensions for reference only

# Ungrounded

## JTG06R BS-C2021 MS27484 HE309 G06T PAN 6433-IFG

### Grounded straight plug

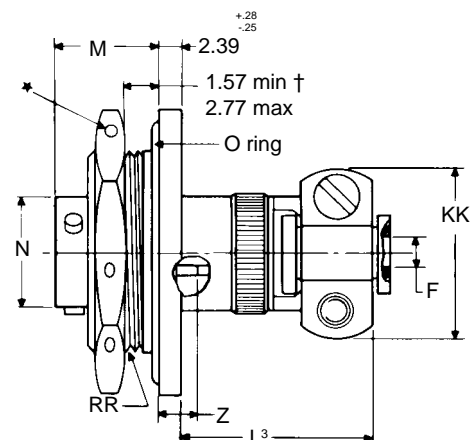
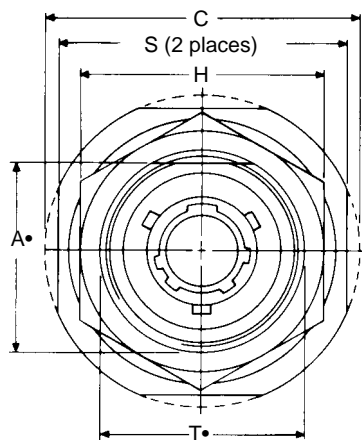


\* To complete order number, see "How to order" pages  
 \*\* High temperature version. To complete order number, see "How to order" pages  
 \*\*\* Clear iridite finish (gold colour), N<sub>2</sub>O<sub>4</sub> resistant. To complete order number, see "How to order" pages

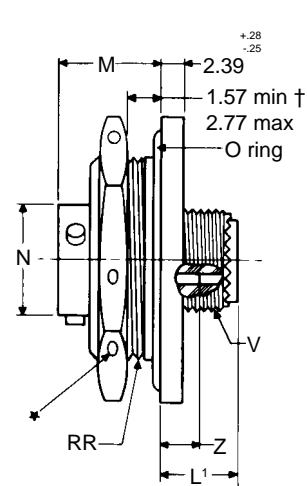
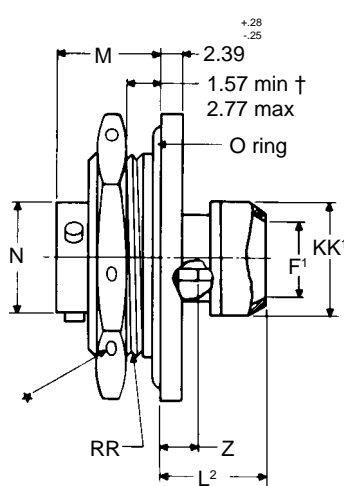
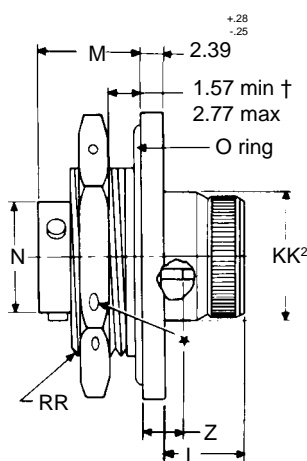
| Shell Size | KK Dia Max | KK <sup>1</sup> Max | KK <sup>2</sup> Max | F Dia | F <sup>1</sup> Dia +.25 - .64 | L Max | L <sup>1</sup> Max | L <sup>2</sup> Max | L <sup>3</sup> Max | Q Dia Max | V Thread Modified |                    |
|------------|------------|---------------------|---------------------|-------|-------------------------------|-------|--------------------|--------------------|--------------------|-----------|-------------------|--------------------|
|            |            |                     |                     |       |                               |       |                    |                    |                    |           | Class 2a          | Modified Major Dia |
| 8          | 15.88      | 20.62               | 14.68               | 11.28 | 3.18                          | 39.67 | 25.40              | 23.83              | 22.63              | 18.64     | .4375-28UNEF      | .421- .417         |
| 10         | 19.05      | 22.23               | 17.86               | 14.17 | 4.78                          | 39.67 | 25.40              | 23.83              | 22.63              | 21.44     | .5625-24UNEF      | .542- .538         |
| 12         | 22.23      | 25.40               | 21.03               | 17.35 | 7.92                          | 39.67 | 25.40              | 23.83              | 22.63              | 25.81     | .6875-24UNEF      | .667- .663         |
| 14         | 25.40      | 28.58               | 24.21               | 20.52 | 9.53                          | 46.02 | 25.40              | 23.83              | 22.63              | 28.98     | .8125-20UNEF      | .791- .787         |
| 16         | 28.58      | 30.18               | 27.38               | 23.09 | 12.70                         | 46.02 | 25.40              | 23.83              | 22.63              | 32.13     | .9375-20UNEF      | .916- .912         |
| 18         | 31.75      | 36.53               | 30.56               | 26.26 | 15.88                         | 46.02 | 25.40              | 23.83              | 22.63              | 35.33     | 1.0625-18UNEF     | 1.034 - 1.030      |
| 20         | 34.93      | 36.53               | 33.73               | 29.44 | 15.88                         | 46.02 | 25.40              | 23.83              | 22.63              | 38.10     | 1.1875-18UNEF     | 1.158- 1.154       |
| 22         | 38.10      | 41.28               | 36.91               | 32.61 | 19.05                         | 49.23 | 25.40              | 23.83              | 22.63              | 41.28     | 1.3125-18UNEF     | 1.283- 1.279       |
| 24         | 41.28      | 43.66               | 40.08               | 35.79 | 20.32                         | 49.23 | 26.97              | 23.83              | 22.63              | 44.45     | 1.4375-18UNEF     | 1.408- 1.404       |



# Jam nut nutstac



- \* JT07RE...(SR)
- \*\* JTS07RE...(SR)
- \*\*\* JTN07RE...(SR)



- \* JT07RE-...
- \* [MS27474E-...](#)
- \*\* JTS07RE-...
- \*\*\* JTN07RE-...

- \* JT07RP-...
- \* [MS27474P-...](#)
- \*\* JTS07RP-...
- \*\*\* JTN07RP-...

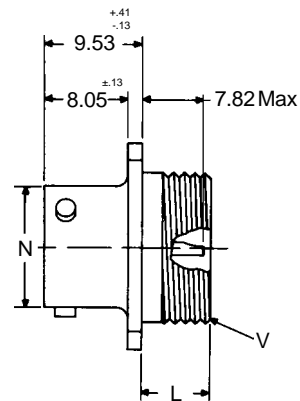
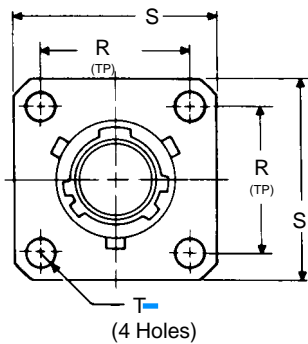
- \* JT07RT-...
- \* [MS27474T-...](#)
- \*\* JTS07RT-...
- \*\*\* JTN07RT-...
- \*\*\* [BS-9522-G0002-C2024-...](#)
- \*\*\* [HE309-07T-...](#)
- \*\*\* [PAN6433-1A-...](#)

- ★ 1.50 dia min. 3 locking wire holes
- "D" shaped mounting hole dimensions
- \* To complete order number see "How to order" pages
- \*\* High temperature version
- \*\*\* Clear iridite finish (gold colour), N<sub>2</sub>O<sub>4</sub> resistant
- † Panel thickness

| Shell Size | A*<br>+.00<br>-.25 | KK<br>Max | KK¹<br>Dia<br>Max | KK²<br>Dia<br>Max | L<br>Max | L¹<br>Max | L²<br>Max | L³<br>Max | F<br>Dia<br>+.25<br>-.64 | F¹<br>Dia | M<br>±.13 | H<br>Hex<br>+.43<br>-.41 | S<br>±.41 | Z<br>±.79 | RR<br>Thread<br>(Plated)<br>Class 2a | V<br>Thread<br>UNEF<br>Class 2a | C<br>Max | T•<br>+.25<br>-.00 | N<br>+.03<br>-.13 |
|------------|--------------------|-----------|-------------------|-------------------|----------|-----------|-----------|-----------|--------------------------|-----------|-----------|--------------------------|-----------|-----------|--------------------------------------|---------------------------------|----------|--------------------|-------------------|
| 8          | 21.08              | 20.62     | 15.88             | 14.68             | 12.29    | 11.51     | 14.30     | 26.59     | 3.18                     | 11.28     | 11.13     | 26.97                    | 31.75     | 3.66      | .8750-20UNEF                         | .4375-28                        | 35.31    | 22.45              | 12.01             |
| 10         | 24.26              | 22.23     | 19.05             | 17.86             | 12.29    | 11.51     | 14.30     | 26.59     | 4.78                     | 14.17     | 11.13     | 30.18                    | 34.93     | 3.66      | 1.0000-20UNEF                        | .5625-24                        | 38.48    | 25.58              | 14.99             |
| 12         | 27.53              | 25.40     | 22.23             | 21.03             | 12.29    | 11.51     | 14.30     | 26.59     | 7.92                     | 17.35     | 11.13     | 33.32                    | 38.10     | 3.66      | 1.1250-18UNEF                        | .6875-24                        | 41.66    | 28.80              | 19.05             |
| 14         | 30.68              | 28.58     | 25.40             | 24.21             | 12.29    | 11.51     | 14.30     | 32.94     | 9.53                     | 20.52     | 11.13     | 36.53                    | 41.28     | 3.66      | 1.2500-18UNEF                        | .8125-20                        | 44.83    | 31.98              | 22.23             |
| 16         | 33.86              | 30.18     | 28.58             | 27.38             | 12.29    | 11.51     | 14.30     | 32.94     | 12.70                    | 23.09     | 11.13     | 39.67                    | 45.24     | 3.66      | 1.3750-18UNEF                        | .9375-20                        | 49.61    | 35.15              | 25.40             |
| 18         | 37.06              | 36.53     | 31.75             | 30.56             | 12.29    | 11.51     | 14.30     | 32.94     | 15.88                    | 26.26     | 11.13     | 42.88                    | 48.01     | 3.66      | 1.5000-18UNEF                        | 1.0625-18                       | 51.59    | 38.28              | 28.58             |
| 20         | 40.03              | 36.53     | 34.93             | 33.73             | 11.51    | 10.72     | 13.49     | 32.16     | 15.88                    | 29.44     | 11.79     | 46.02                    | 51.21     | 4.78      | 1.6250-18UNEF                        | 1.1875-18                       | 54.76    | 41.50              | 31.75             |
| 22         | 43.21              | 41.28     | 38.10             | 36.91             | 11.51    | 10.72     | 13.49     | 35.33     | 19.05                    | 32.61     | 11.79     | 50.80                    | 54.36     | 4.78      | 1.7500-18UNS                         | 1.3125-18                       | 57.91    | 44.68              | 34.93             |
| 24         | 46.38              | 43.66     | 41.28             | 40.08             | 9.53     | 10.72     | 13.47     | 35.33     | 20.32                    | 35.79     | 11.79     | 53.98                    | 57.53     | 4.78      | 1.8750-16UN                          | 1.4375-18                       | 61.09    | 47.85              | 38.10             |

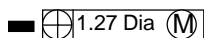
All dimensions for reference only

# Hermetic wall mounting receptacle



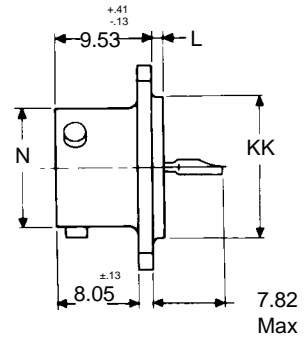
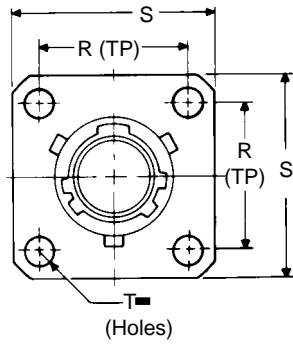
- \* JT00H-...
- \*\* JT00Y-...
- \*\* MS27475Y..D...
- \*\*\* JTS00Y-XX-XXX
- \*\* MS27482Y..E...

- \* To complete order number, see "How to order" pages
- \*\* Interfacial water seal.
- \*\*\* High temperature version, interfacial water seal with stainless shell.



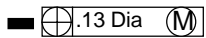
| Shell Size | N<br>+.03<br>-.13 | S<br>±.41 | R<br>(TP) | T<br>±.13 | V Thread Size<br>Class 2a | L<br>Max |
|------------|-------------------|-----------|-----------|-----------|---------------------------|----------|
| 8          | 12.01             | 20.62     | 15.09     | 3.05      | .5625-24UNEF              | 5.94     |
| 10         | 14.99             | 23.83     | 18.26     | 3.05      | .6875-24UNEF              | 5.94     |
| 12         | 19.05             | 26.19     | 20.62     | 3.05      | .8125-20UNEF              | 5.94     |
| 14         | 22.23             | 28.58     | 23.01     | 3.05      | .9375-20UNEF              | 5.94     |
| 16         | 25.40             | 30.96     | 24.61     | 3.05      | 1.0625-18UNEF             | 5.94     |
| 18         | 28.58             | 33.32     | 26.97     | 3.05      | 1.1875-18UNEF             | 5.94     |
| 20         | 31.75             | 36.53     | 29.35     | 3.05      | 1.3125-18UNEF             | 5.94     |
| 22         | 34.93             | 39.67     | 31.75     | 3.05      | 1.4375-18UNEF             | 5.94     |
| 24         | 38.10             | 42.88     | 34.93     | 3.73      | 1.5625-18UNEF             | 7.95     |

# Hermetic box mounting receptacle



- \* JT02H-...
- \*\* JT02Y-...
- \*\* MS27476Y..D...
- \*\*\* JTS02Y-...
- \*\*\* MS27476Y..E...

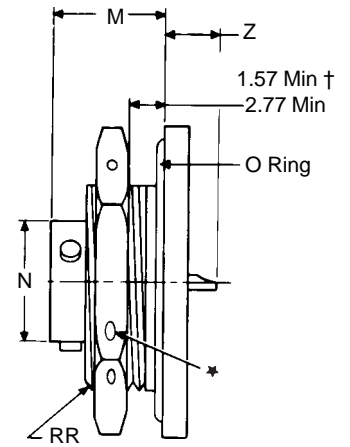
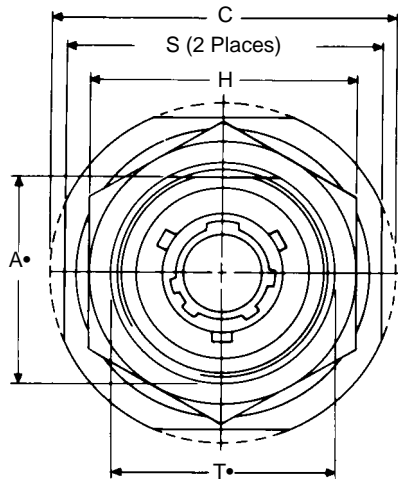
- \* To complete order number, see "How to order" pages
- \*\* Interfacial water seal
- \*\*\* High temperature version. interfacial water seal with stainless steel shell



| Shell Size | L<br>+.15<br>-.38 | KK<br>+.03<br>-.13 | S<br>±.41 | R (TP) | T<br>±.13 | N<br>+.03<br>-.13 |
|------------|-------------------|--------------------|-----------|--------|-----------|-------------------|
| 8          | 1.30              | 14.27              | 20.62     | 15.09  | 3.05      | 12.01             |
| 10         | 1.30              | 17.07              | 23.83     | 18.26  | 3.05      | 14.99             |
| 12         | 1.30              | 19.84              | 26.19     | 20.62  | 3.05      | 19.05             |
| 14         | 1.30              | 23.01              | 28.58     | 23.01  | 3.05      | 22.23             |
| 16         | 1.30              | 26.19              | 30.96     | 24.61  | 3.05      | 25.40             |
| 18         | 1.30              | 29.36              | 33.32     | 26.97  | 3.05      | 28.58             |
| 20         | 1.30              | 31.75              | 36.53     | 29.36  | 3.05      | 31.75             |
| 22         | 2.03              | 34.93              | 39.67     | 31.75  | 3.05      | 34.93             |
| 24         | 2.03              | 38.10              | 42.88     | 34.93  | 3.73      | 38.10             |

All dimensions for reference only

# Hermetic jam nut receptacle



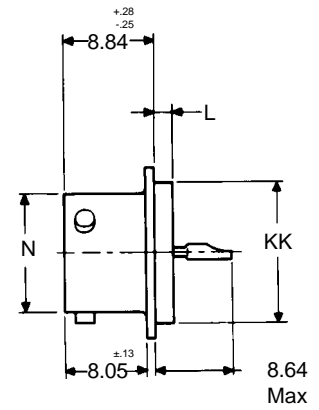
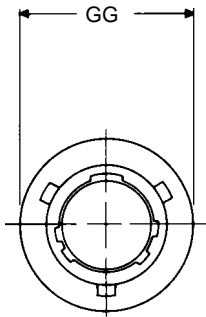
- \* JT07H-...
- \*\*\* JT07Y-...
- MS27477Y..D...
- \*\*\*\* JTS07Y-...
- MS27483Y..E...

- \* .15 dia. min .3 lockwire holes
- "D" shaped mounting hole dimensions
- \* To complete order number, see "How to order" pages
- \*\* Interfacial seal water
- \*\*\* High temperature version, interfacial seal water with stainless steel shell
- † Panel thickness

| Shell Size | M ±.13 | Z Max | RR Thread Class 2a | N +.03 - .13 | C Max | S ±.41 | H +.43 - .41 | T• +.25 - .00 | A• +.00 - .25 |
|------------|--------|-------|--------------------|--------------|-------|--------|--------------|---------------|---------------|
| 8          | 11.13  | 6.20  | .8750-20UNEF       | 12.01        | 35.31 | 31.75  | 26.97        | 22.45         | 21.08         |
| 10         | 11.13  | 6.20  | 1.0000-20UNEF      | 14.99        | 38.48 | 34.93  | 30.18        | 25.58         | 24.26         |
| 12         | 11.13  | 6.20  | 1.1250-18UNEF      | 19.05        | 41.66 | 38.10  | 33.32        | 28.80         | 27.53         |
| 14         | 11.13  | 6.20  | 1.2500-18UNEF      | 22.23        | 44.83 | 41.28  | 36.53        | 31.98         | 30.68         |
| 16         | 11.13  | 6.20  | 1.3750-18UNEF      | 25.40        | 49.61 | 45.24  | 39.67        | 35.15         | 33.86         |
| 18         | 11.13  | 6.20  | 1.5000-18UNEF      | 28.58        | 51.59 | 48.01  | 42.88        | 38.28         | 37.06         |
| 20         | 11.79  | 5.54  | 1.6250-18UNEF      | 31.75        | 54.76 | 51.21  | 46.02        | 41.50         | 40.03         |
| 22         | 11.79  | 5.54  | 1.7500-18UNS       | 34.93        | 57.91 | 54.36  | 50.80        | 44.68         | 43.21         |
| 24         | 11.79  | 5.54  | 1.8750-16UN        | 38.10        | 61.09 | 57.53  | 53.98        | 47.85         | 46.38         |

All dimensions for reference only

# Hermetic solder mounting receptacle



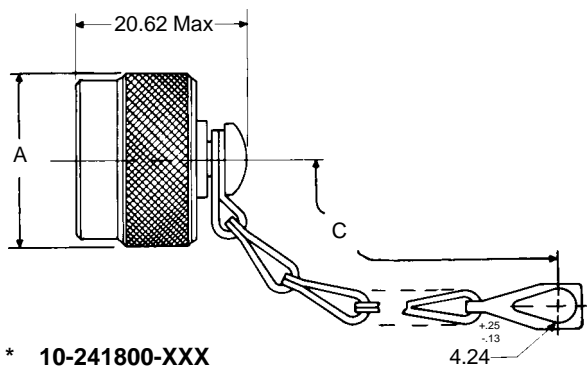
- \* JTIH-...
- \*\* JTIY-...  
MS27478Y..D...
- \*\*\* JTSIY-...  
MS27503Y..E...

- \* To complete order number, see "How to order" pages
- \*\* Interfacial water seal
- \*\*\* High temperature version. interfacial water seal with stainless steel shell

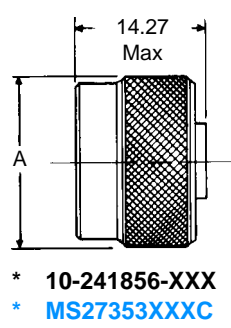
| Shell Size | L<br>+.28<br>-.25 | KK<br>+.03<br>-.13 | GG<br>+.28<br>-.25 | N<br>+.03<br>-.13 |
|------------|-------------------|--------------------|--------------------|-------------------|
| 8          | 1.98              | 14.27              | 17.45              | 12.01             |
| 10         | 1.98              | 17.07              | 20.24              | 14.99             |
| 12         | 1.98              | 19.84              | 23.01              | 19.05             |
| 14         | 1.98              | 23.01              | 26.19              | 22.22             |
| 16         | 1.98              | 26.19              | 29.36              | 25.40             |
| 18         | 1.98              | 29.36              | 32.54              | 28.58             |
| 20         | 1.98              | 31.75              | 34.93              | 31.75             |
| 22         | 2.72              | 34.93              | 38.10              | 34.93             |
| 24         | 2.72              | 38.10              | 41.28              | 38.10             |

All dimensions for reference only

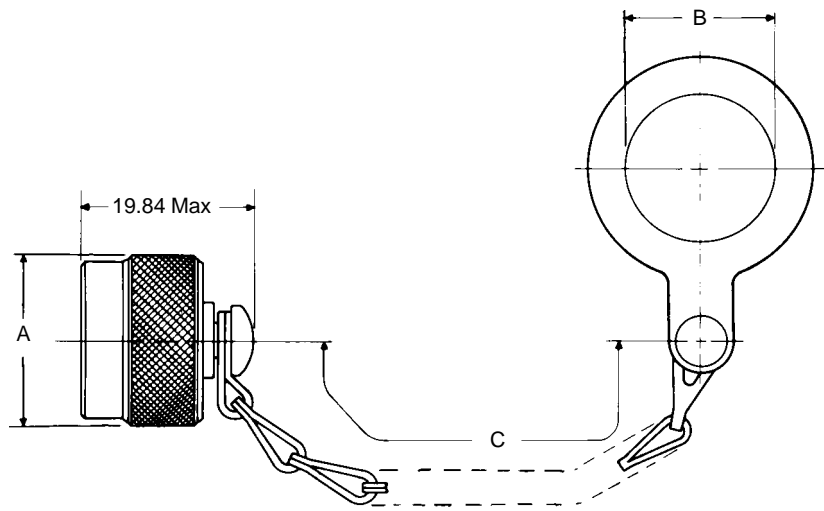
# Receptacle protection cap



- \* 10-241800-XXX
- \* MS27511XXXC
- \* PAN 6433-IMB



- \* 10-241856-XXX
- \* MS27353XXXC



- \* 10-241802-XXX
- \* PAN 6433-IMA

For MS stamping identification, accessories must be ordered by MS part number. If ordered by 10-part number, they will be stamped with said number.

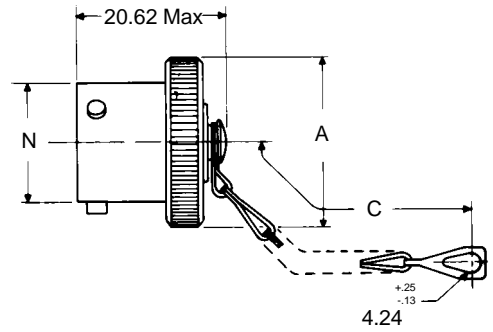
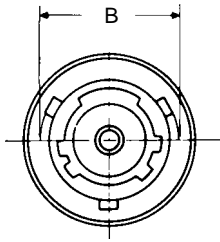
\* To complete order number, add shell size and suffix number.  
 For example, shell size 10 with cadmium plate, nickel base, 10-241800-107, MS27511A10C or MS27353A10.

| Shell Size | A Dia Max | B +.25 - .00 | C Approx |
|------------|-----------|--------------|----------|
| 8          | 18.26     | 22.63        | 76.00    |
| 10         | 21.44     | 25.81        | 76.00    |
| 12         | 25.40     | 28.98        | 89.00    |
| 14         | 28.58     | 32.16        | 89.00    |
| 16         | 31.75     | 35.33        | 89.00    |
| 18         | 34.93     | 38.51        | 89.00    |
| 20         | 38.10     | 41.68        | 102.00   |
| 22         | 41.28     | 44.86        | 102.00   |
| 24         | 44.45     | 48.03        | 102.00   |

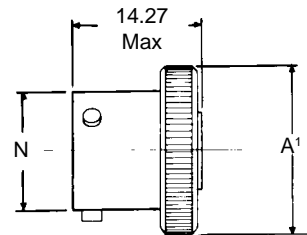
| Finish                           | 10-No. Suffix | MS No. Suffix With Chain | MS No. Suffix Without Chain |
|----------------------------------|---------------|--------------------------|-----------------------------|
| Chromate treat                   | -XX0          |                          |                             |
| Anodic coating                   | -XX5          | CXXC                     |                             |
| Cadmium plate nickel base        | -XX7          | AXXC                     | AXX                         |
| Olive Drab, Cadmium, nickel base | -XX9          | BXXC                     | BXX                         |
| Electroless nickel               | -XXG          | FXXC                     | FXX                         |

All dimensions for reference only

# Plug protection cap



- \* 10-241801-XXX
- \* MS27501XXXX
- \* PAN 6433-IMF



For MS stamping identification, accessories must be ordered by MS part number. If ordered by 10-part number, they will be stamped with said number.

\* To complete order number, add shell size and suffix number.  
For example, shell size 10 with cadmium plate, nickel base, 10-241801-107, MS27510A10C or MS27352A10.

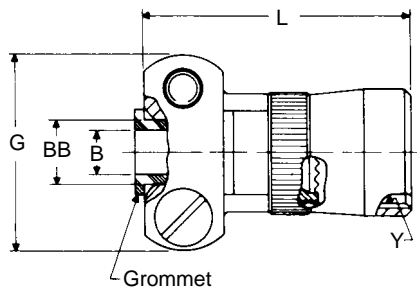
| Shell Size | A Dia Max | A' Dia Max | B +.00 - .41 | C Approx | N N <sub>ia</sub> +.03 - .13 |
|------------|-----------|------------|--------------|----------|------------------------------|
| 8          | 18.26     | 17.86      | 14.30        | 76.00    | 12.01                        |
| 10         | 21.44     | 21.03      | 17.27        | 76.00    | 14.99                        |
| 12         | 25.40     | 24.99      | 21.82        | 89.00    | 19.05                        |
| 14         | 28.58     | 28.17      | 24.99        | 89.00    | 22.23                        |
| 16         | 31.75     | 31.34      | 28.14        | 89.00    | 25.40                        |
| 18         | 34.93     | 34.52      | 31.32        | 89.00    | 28.58                        |
| 20         | 38.10     | 37.69      | 34.49        | 102.00   | 31.75                        |
| 22         | 41.23     | 40.87      | 37.67        | 102.00   | 34.93                        |
| 24         | 44.45     | 44.04      | 40.89        | 102.00   | 38.10                        |

| Finish                           | 10-No. Suffix | MS No. Suffix With Chain | MS No. Suffix Without Chain |
|----------------------------------|---------------|--------------------------|-----------------------------|
| Chromate treat                   | -XX0          |                          |                             |
| Anodic coating                   | -XX5          | CXXC                     | CXX                         |
| Cadmium plate nickel base        | -XX7          | AXXC                     | AXX                         |
| Olive Drab, Cadmium, nickel base | -XX9          | BXXC                     | BXX                         |
| Electroless nickel               | -XXG          | FXXC                     | FXX                         |

All dimensions for reference only



# Cable Clamp



- \* 10-405982-...
- \* MS27506...-2 or M85049/49...
- \* HE309-11-...

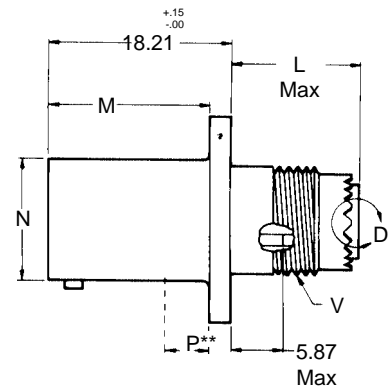
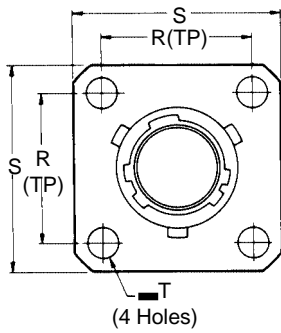
\* To complete order number, add shell size and suffix number.  
 For example, shell size 10 with cadmium plate, nickel base, 10-405982-107, or M85049/49-2-10W.

| Finish                           | 10-No. Suffix | MS27506 Suffix | M85049/49 Suffix |
|----------------------------------|---------------|----------------|------------------|
| Chromate treat                   | -XX0          |                | NA               |
| Anodic coating                   | -XX5          | CXX-2          | NA               |
| Cadmium plate nickel base        | -XX7          | AXX-2          | NA               |
| Olive Drab, Cadmium, nickel base | -XX9          | BXX-2          | (-2-XXW)         |
| Electroless nickel               | -XXG          | FXX-2          | NA               |

| Shell Size | G Max | L Max | Y Thread (Modified) |                    | BB Dia +.00 -.28 | Screw Size | B Dia +.25 -.64 |
|------------|-------|-------|---------------------|--------------------|------------------|------------|-----------------|
|            |       |       | Size Class 2B       | Modified Minor Dia |                  |            |                 |
| 8/9        | 19.69 | 24.99 | .4375-28UNEF        | .399-.405          | 6.35             | 6-32UNC    | 3.18            |
| 10/11      | 21.26 | 24.99 | .5625-24UNEF        | .524-.529          | 7.92             | 6-32UNC    | 4.78            |
| 12/13      | 24.46 | 24.99 | .6875-24UNEF        | .649-.654          | 11.13            | 6-32UNC    | 7.92            |
| 14/15      | 27.61 | 31.34 | .8125-20UNEF        | .766-.771          | 14.27            | 6-32UNC    | 9.53            |
| 16/17      | 29.21 | 31.34 | .9375-20UNEF        | .891-.896          | 15.88            | 6-32UNC    | 12.70           |
| 18/19      | 35.56 | 31.34 | 1.0625-18UNEF       | 1.002-1.007        | 19.05            | 8-32UNC    | 15.88           |
| 20/21      | 35.56 | 31.34 | 1.1875-18UNEF       | 1.135-1.140        | 19.05            | 8-32UNC    | 15.88           |
| 22/23      | 40.31 | 34.52 | 1.3125-18UNEF       | 1.252-1.257        | 23.83            | 8-32UNC    | 19.05           |
| 24/25      | 42.70 | 34.52 | 1.4375-18UNEF       | 1.377-1382         | 25.40            | 8-32UNC    | 20.32           |

All dimensions for reference only

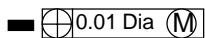
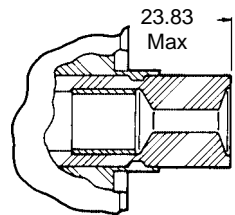
# wall mounting receptacle



- \* SJT00RT-...
- \* JN1003-B...
- \* PAN6433-2B...
- \* VG96912-A...

\* To complete order number, see "how to order" page  
 \*\* Standard wall mount may be back panel mounted where panel thickness does not exceed these dimensions. For thicker panel applications, SJTP00RT should be used

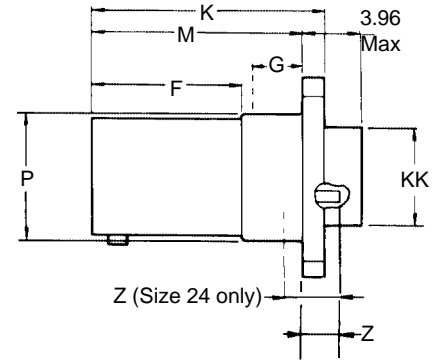
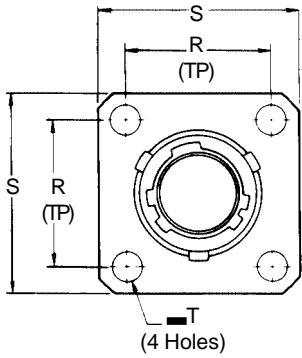
View D enlarged for size 8 coaxial use only



| Shell Size | L Max | M +.00 -0.01 | R (TP) | S ±.04 | T ±.01 | VThread Modified       |                    | N +.00 -0.01 | P** Max |
|------------|-------|--------------|--------|--------|--------|------------------------|--------------------|--------------|---------|
|            |       |              |        |        |        | Class 2A UNEF (Plated) | Modified Major Dia |              |         |
| 8          | 12.70 | 16.05        | 15.09  | 20.62  | 3.05   | .4375-28               | .421-.417          | 12.61        | 2.92    |
| 10         | 12.70 | 16.05        | 18.26  | 23.82  | 3.05   | .5625-24               | .542-.538          | 14.99        | 2.92    |
| 12         | 12.70 | 16.05        | 20.62  | 26.19  | 3.05   | .6875-24               | .667-.663          | 19.65        | 2.92    |
| 14         | 12.70 | 16.05        | 23.01  | 28.57  | 3.05   | .8125-20               | .791-.787          | 22.22        | 2.92    |
| 16         | 12.70 | 16.05        | 24.61  | 30.96  | 3.05   | .9375-20               | .916-.912          | 25.40        | 2.92    |
| 18         | 12.70 | 16.05        | 26.97  | 33.32  | 3.05   | 1.0625-18              | 1.034-1.030        | 28.57        | 2.92    |
| 20         | 12.70 | 15.29        | 29.36  | 36.52  | 3.05   | 1.1875-18              | 1.158-1.154        | 31.75        | 2.21    |
| 22         | 12.70 | 15.29        | 31.75  | 39.67  | 3.05   | 1.3125-18              | 1.283-1.279        | 34.92        | 2.21    |
| 24         | 13.97 | 15.29        | 34.92  | 42.87  | 3.73   | 1.4375-18              | 1.408-1.404        | 38.10        | 1.39    |

All dimensions for reference only

# Box receptacle (back panel mounting)



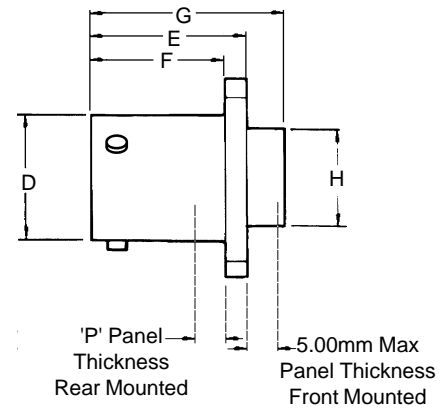
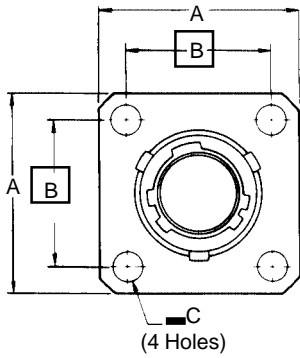
\* SJTP02RE-...

\* To complete order number, see "how to order" page

0.01 Dia (M)

| Shell Size | F<br>+0.00<br>-0.01 | K<br>+0.01<br>-0.00 | M<br>+0.00<br>-0.01 | R (TP) | S<br>+0.03<br>-0.02 | T<br>±0.01 | Z<br>±0.08 | P<br>Dia<br>+0.00<br>-0.01 | KK<br>Dia<br>+0.01<br>-0.00 | G<br>Max |
|------------|---------------------|---------------------|---------------------|--------|---------------------|------------|------------|----------------------------|-----------------------------|----------|
| 8          | 15.47               | 24.00               | 21.84               | 15.09  | 20.62               | 3.05       | 1.57       | 13.11                      | 10.59                       | 8.76     |
| 10         | 15.47               | 24.00               | 21.84               | 18.26  | 23.82               | 3.05       | 1.57       | 16.08                      | 13.66                       | 8.76     |
| 12         | 15.47               | 24.00               | 21.84               | 20.62  | 26.18               | 3.05       | 1.57       | 20.37                      | 16.84                       | 8.76     |
| 14         | 15.47               | 24.00               | 21.84               | 23.01  | 28.57               | 3.05       | 1.57       | 23.54                      | 19.99                       | 8.76     |
| 16         | 15.47               | 24.00               | 21.84               | 24.61  | 30.96               | 3.05       | 1.57       | 26.72                      | 23.16                       | 8.76     |
| 18         | 15.47               | 24.00               | 21.84               | 26.97  | 33.32               | 3.05       | 1.57       | 29.89                      | 26.16                       | 8.76     |
| 20         | 15.47               | 24.00               | 21.84               | 29.36  | 36.52               | 3.05       | 1.57       | 33.07                      | 29.31                       | 8.76     |
| 22         | 15.47               | 24.00               | 21.84               | 31.75  | 39.67               | 3.05       | 1.57       | 36.24                      | 32.49                       | 8.76     |
| 24         | 19.05               | 27.56               | 25.40               | 34.92  | 42.87               | 3.73       | 1.98       | 39.42                      | 35.66                       | 11.48    |

All dimensions for reference only



\* JN1003H ...

\* To complete order number, see "how to order" page

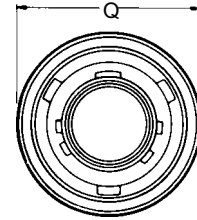
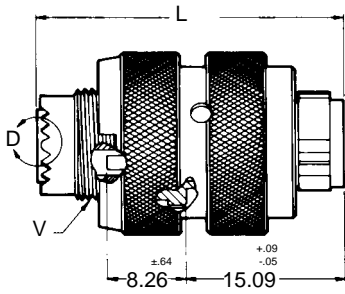
⊕ 0.01 Dia (M)

| Shell Size | A<br>±0.40 | <span style="border: 1px solid black; padding: 2px;">B</span><br>±0.13 | C<br>+0.10 | D<br>+0.00<br>-0.13 | E<br>+0.15<br>-0.00 | F<br>+0.00<br>-0.13 | G<br>Max | H<br>Max | P<br>Max |
|------------|------------|--|------------|---------------------|---------------------|---------------------|----------|----------|----------|
| 8          | 20.62      | 15.10  | 3.20       | 12.00               | 18.21               | 16.05               | 27.65    | 11.91    | 3.00     |
| 10         | 23.83      | 18.30  | 3.20       | 15.00               | 18.21               | 16.05               | 27.65    | 15.09    | 3.00     |
| 12         | 26.19      | 20.60  | 3.20       | 19.05               | 18.21               | 16.05               | 27.65    | 18.26    | 3.00     |
| 14         | 28.57      | 23.00  | 3.20       | 22.22               | 18.21               | 16.05               | 27.65    | 21.44    | 3.00     |
| 16         | 30.96      | 24.60  | 3.20       | 25.40               | 18.21               | 16.05               | 27.65    | 24.61    | 3.00     |
| 18         | 33.32      | 27.00  | 3.20       | 28.57               | 18.21               | 16.05               | 27.65    | 27.38    | 3.00     |
| 20         | 36.53      | 29.40  | 3.20       | 31.75               | 18.21               | 15.29               | 27.65    | 30.56    | 3.00     |
| 22         | 39.67      | 31.80  | 3.20       | 34.92               | 18.21               | 15.29               | 27.65    | 33.73    | 3.00     |
| 24         | 42.90      | 34.90  | 3.70       | 38.10               | 18.21               | 15.29               | 28.72    | 36.91    | 2.26     |

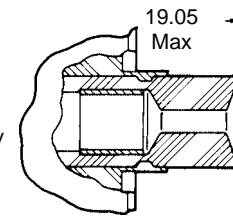
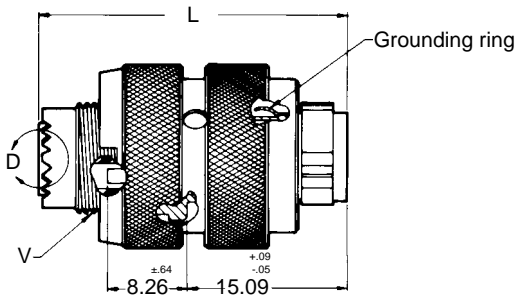
All dimensions for reference only

   Designates true position dimensioning

PAN 6433-2F, PAN 6433-2FG VG96912-D, VG96912-E  
 Straight plug / Straight plug (with grounding fingers)



- \* SJT06RT-
- \* PAN6433-2F...
- \* VG96912-E...



View D enlarged for size 8 coaxial use only

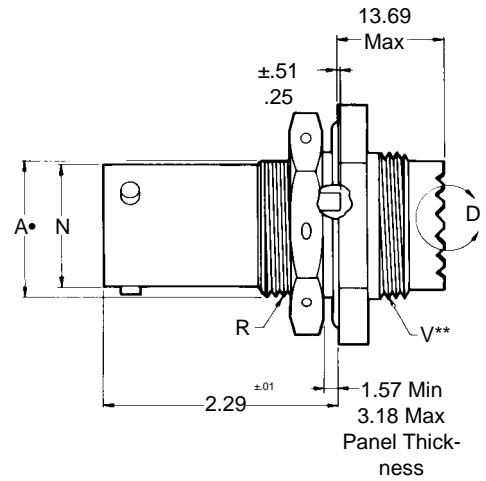
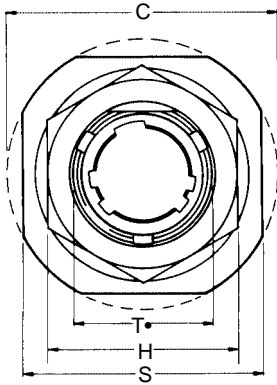
- \* SJTG06RT-
- \* PAN6433-2FG...
- \* VG96912-D...
- \* JN1003FG...

\* To complete order number, see "how to order" page

| Shell size | L<br>Max | Q<br>Dia Max | V Thread                  |                        |
|------------|----------|--------------|---------------------------|------------------------|
|            |          |              | Class 2a<br>UNEF (Plated) | Modified<br>Major Dia. |
| 8          | 30.96    | 18.64        | .4375-28                  | 10.69 - 10.59          |
| 10         | 30.96    | 21.44        | .5625-24                  | 13.77- 13.67           |
| 12         | 30.96    | 25.81        | .6875-24                  | 16.94 - 16.84          |
| 14         | 30.96    | 28.98        | .8125-20                  | 20.09 - 19.99          |
| 16         | 30.96    | 32.13        | .9375-20                  | 22.27 - 23.16          |
| 18         | 30.96    | 35.33        | 1.0625-18                 | 26.26 - 26.16          |
| 20         | 30.96    | 38.10        | 1.1875-18                 | 29.41 - 29.31          |
| 22         | 30.96    | 41.28        | 1.3125-18                 | 32.59 - 32.49          |
| 24         | 31.95    | 44.45        | 1.4375-18                 | 35.76 - 35.66          |

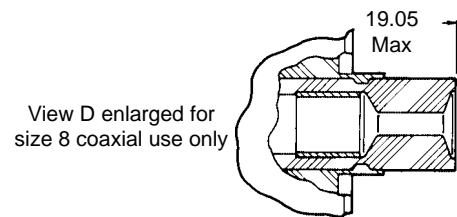
All dimensions for reference only

# Jam nut receptacle



- \* SJT07RT...
- \* PAN 6433-2A...
- \* VG96912-B...
- \* JN 1003A

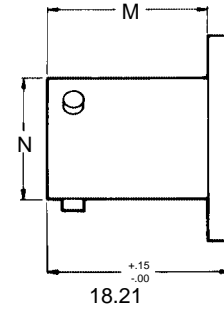
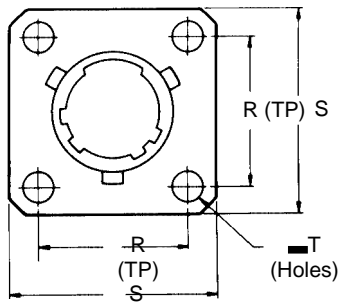
- "D" shaped panel cut-out dimensions
- \* To complete order number, see "how to order" page
- \*\* Oversize threads. Check accessory threads before ordering



| Shell Size | A•<br>+.00<br>-.25 | H Hex<br>+.43<br>-.41 | S<br>±.41 | V Thread<br>Class 2a<br>UNEF (Plated) | R Thread<br>Class 2a<br>UNEF (Plated) | N<br>+.02<br>-.05 | C<br>Max | T•<br>+.25<br>-.00 |
|------------|--------------------|-----------------------|-----------|---------------------------------------|---------------------------------------|-------------------|----------|--------------------|
| 8          | 13.77              | 19.05                 | 23.82     | .5625-24                              | .5625-24                              | 18.01             | 27.38    | 14.52              |
| 10         | 16.92              | 22.22                 | 26.97     | .6875-24                              | .6875-24                              | 14.99             | 30.56    | 17.70              |
| 12         | 21.08              | 26.97                 | 31.75     | .8125-20                              | .8750-20                              | 19.05             | 35.33    | 22.45              |
| 14         | 24.26              | 30.17                 | 34.92     | .9375-20                              | 1.0000-20                             | 22.22             | 38.48    | 25.58              |
| 16         | 27.53              | 33.32                 | 38.10     | 1.0625-18                             | 1.1250-18                             | 25.40             | 41.68    | 28.80              |
| 18         | 30.68              | 36.52                 | 41.27     | 1.1875-18                             | 1.2500-18                             | 28.57             | 44.86    | 31.98              |
| 20         | 33.86              | 39.67                 | 46.02     | 1.3125018                             | 1.3750-18                             | 31.75             | 49.61    | 35.15              |
| 22         | 37.06              | 42.87                 | 49.22     | 1.4375-18                             | 1.5000-18                             | 34.92             | 52.78    | 38.28              |
| 24         | 46.13              | 46.62                 | 52.37     | 1.43775-18                            | 1.6250-18                             | 38.10             | 55.96    | 41.50              |

All dimensions for reference only

# Dummy receptacle



- \* 10-476807-XXX
- \* JN1003R-XX

\* To complete order number, add shell size and suffix number.  
 For example, shell size 10 with bright cadmium plated nickel base, 10-476807-107.

| Finish                           | Suffix |
|----------------------------------|--------|
| Chromate treat                   | -XX0   |
| Anodic coating                   | -XX5   |
| Cadmium plate nickel base        | -XX7   |
| Olive Drab, Cadmium, nickel base | -XX9   |
| Electroless nickel               | -XXG   |

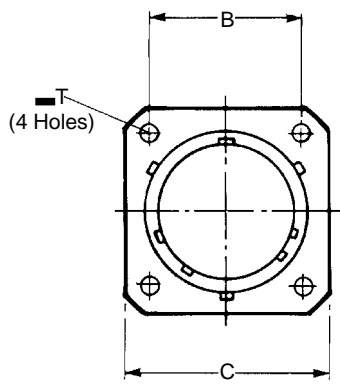
— (0.13 Dia (M))

| Shell Size | M<br>+.00<br>-.13 | N<br>+.00<br>-.01 | R (TP) | S<br>+.03<br>-.02 | T<br>±.01 |
|------------|-------------------|-------------------|--------|-------------------|-----------|
| 8          | 16.05             | 12.01             | 15.09  | 20.62             | 3.05      |
| 10         | 16.05             | 14.99             | 18.26  | 23.82             | 3.05      |
| 12         | 16.05             | 19.05             | 20.62  | 26.18             | 3.05      |
| 14         | 16.05             | 22.22             | 23.01  | 28.57             | 3.05      |
| 16         | 16.05             | 25.40             | 24.61  | 30.96             | 3.05      |
| 18         | 16.05             | 28.57             | 26.97  | 33.32             | 3.05      |
| 20         | 15.29             | 31.75             | 29.36  | 36.52             | 3.05      |
| 22         | 15.29             | 34.92             | 31.75  | 39.67             | 3.05      |
| 24         | 15.29             | 38.10             | 34.92  | 42.87             | 3.73      |

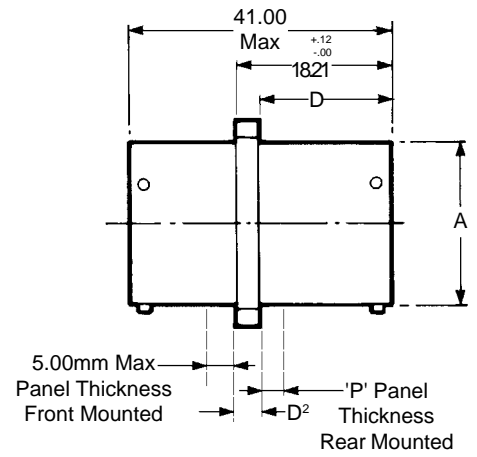
All dimensions for reference only



# Through Bulkhead



SJTB ...  
JN1003J ...

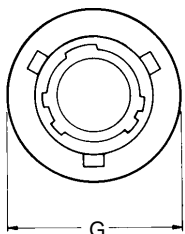


Complete part number by adding size and platform  
ie: SJTB24-35PS(014)

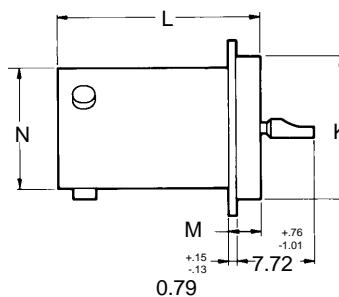
⊕ 0.01 Dia (M)

| Shell Size | A<br>+0.00<br>-0.13 | B<br>±0.13 | C<br>±0.40 | D<br>+0.00<br>-0.13 | D <sup>2</sup><br>+0.10<br>-0 | P<br>Max |
|------------|---------------------|------------|------------|---------------------|-------------------------------|----------|
| 8          | 12.00               | 15.10      | 20.62      | 16.05               | 3.20                          | 3.00     |
| 10         | 15.00               | 18.30      | 23.83      | 16.05               | 3.20                          | 3.00     |
| 12         | 19.05               | 20.60      | 26.19      | 16.05               | 3.20                          | 3.00     |
| 14         | 22.22               | 23.00      | 28.57      | 16.05               | 3.20                          | 3.00     |
| 16         | 25.40               | 24.60      | 30.96      | 16.05               | 3.20                          | 3.00     |
| 18         | 28.57               | 27.00      | 33.32      | 16.05               | 3.20                          | 3.00     |
| 20         | 31.75               | 29.40      | 36.53      | 15.29               | 3.20                          | 3.00     |
| 22         | 34.92               | 31.80      | 39.67      | 15.29               | 3.20                          | 3.00     |
| 24         | 38.10               | 34.90      | 42.90      | 15.29               | 3.70                          | 2.26     |

# Solder mounting receptacle



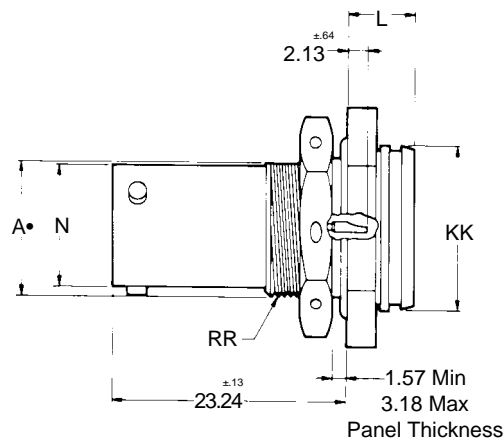
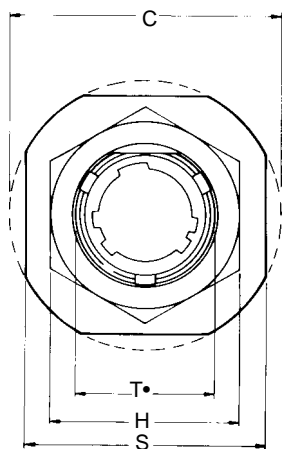
\* SJT1Y- ...



\* To complete order number, see "how to order" pages

| Shell Size | L<br>+0.28<br>-0.00 | M<br>+0.15<br>-0.13 | G Dia<br>+0.28<br>-0.25 | K Dia<br>+0.02<br>-0.13 | N<br>+0.02<br>-0.13 |
|------------|---------------------|---------------------|-------------------------|-------------------------|---------------------|
| 8          | 20.04               | 3.17                | 17.44                   | 14.27                   | 12.01               |
| 10         | 20.04               | 3.17                | 20.24                   | 17.07                   | 14.38               |
| 12         | 20.04               | 3.17                | 23.01                   | 19.83                   | 19.05               |
| 14         | 20.04               | 3.17                | 26.18                   | 23.01                   | 22.22               |
| 16         | 20.04               | 3.17                | 29.36                   | 26.18                   | 25.40               |
| 18         | 20.04               | 3.17                | 32.53                   | 29.36                   | 28.57               |
| 20         | 20.04               | 3.17                | 34.92                   | 31.75                   | 31.75               |
| 22         | 20.86               | 3.96                | 38.10                   | 34.92                   | 34.92               |
| 24         | 20.85               | 3.96                | 41.27                   | 38.10                   | 38.10               |

# Jam nut receptacle

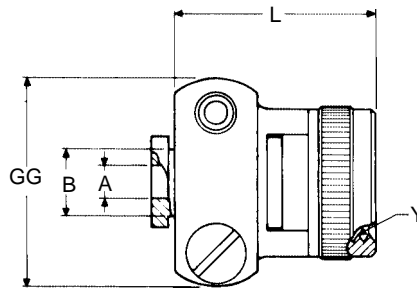


\* SJT07Y- ...

- "D" shaped panel cut-out dimensions
- \* To complete order number, see "how to order" pages

| Shell Size | N<br>+.00<br>-.01 | C<br>Max | A•<br>+.00<br>-.02 | L<br>Max | H<br>Hex<br>+.04<br>-.04 | S<br>±.04 | KK<br>+.03<br>-.00 | RR<br>Thread<br>Class 2a<br>Threaded | T•<br>+.02<br>-.00 |
|------------|-------------------|----------|--------------------|----------|--------------------------|-----------|--------------------|--------------------------------------|--------------------|
| 8          | 12.01             | 27.38    | 13.77              | 7.54     | 19.03                    | 23.82     | 16.31              | .5625-24                             | 14.52              |
| 10         | 14.99             | 30.56    | 16.992             | 7.54     | 22.22                    | 26.97     | 19.45              | .6875-24                             | 17.70              |
| 12         | 14.05             | 35.33    | 21.08              | 7.54     | 26.97                    | 31.75     | 22.66              | .8750-20                             | 22.45              |
| 14         | 22.22             | 38.48    | 24.26              | 7.54     | 30.17                    | 34.92     | 25.86              | 1.0000-20                            | 25.50              |
| 16         | 25.40             | 41.68    | 27.53              | 7.54     | 33.32                    | 38.10     | 29.01              | 1.1250-18                            | 28.80              |
| 18         | 28.57             | 44.86    | 30.68              | 8.33     | 36.52                    | 41.27     | 32.21              | 1.2500-18                            | 31.98              |
| 20         | 31.75             | 49.61    | 33.86              | 8.33     | 39.67                    | 46.02     | 35.36              | 1.3750-18                            | 35.15              |
| 22         | 34.92             | 52.78    | 37.06              | 8.33     | 44.87                    | 49.22     | 38.56              | 1.5000-18                            | 38.27              |
| 24         | 38.10             | 55.96    | 40.13              | 8.33     | 46.02                    | 52.37     | 41.77              | 1.6250-18                            | 41.50              |

# Cable Clamp



\* 10-476808-XXX

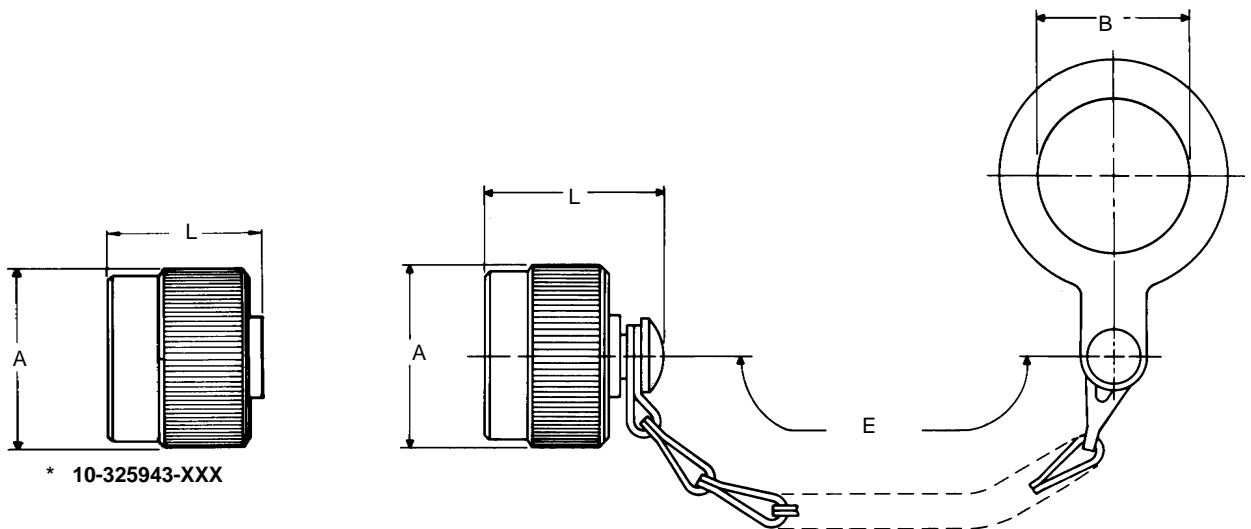
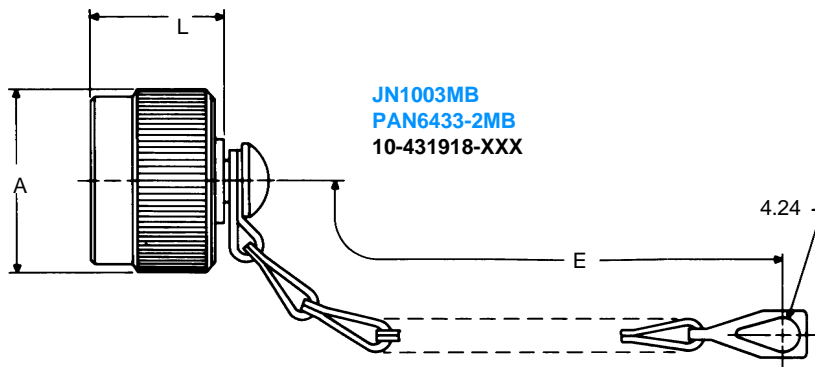
\* To complete order number, add shell size and suffix number.  
For example, shell size 10 with cadmium plate, nickel base, 10-476808-107.

| Finish                           | 10-No. Suffix |
|----------------------------------|---------------|
| Chromate treat                   | -XX0          |
| Anodic coating                   | -XX5          |
| Cadmium plate nickel base        | -XX7          |
| Olive Drab, Cadmium, nickel base | -XX9          |
| Electroless nickel               | -XXG          |

| Shell Size | A Dia<br>+.02<br>-.06 | B Dia<br>+.00<br>-.03 | L Max | Y Thread<br>Class 2B<br>UNEF (Plated) | GG Max |
|------------|-----------------------|-----------------------|-------|---------------------------------------|--------|
| 8          | 3.17                  | 6.35                  | 23.42 | .4375-28                              | 19.68  |
| 10         | 4.77                  | 7.92                  | 23.42 | .5625-24                              | 20.09  |
| 12         | 7.92                  | 11.12                 | 23.42 | .6875-24                              | 24.46  |
| 14         | 9.52                  | 14.27                 | 29.76 | .8125-20                              | 27.60  |
| 16         | 12.70                 | 15.89                 | 29.76 | .9375-20                              | 29.31  |
| 18         | 15.87                 | 19.05                 | 29.76 | 1.0625-18                             | 35.54  |
| 20         | 15.87                 | 19.05                 | 29.76 | 1.1875-18                             | 35.54  |
| 22         | 19.03                 | 23.82                 | 32.94 | 1.3125-18                             | 40.31  |
| 24         | 20.32                 | 25.54                 | 32.94 | 1.4375-18                             | 42.69  |

All dimensions for reference only

Cover, connector receptacle electrical -  
**JN1003-MB PAN 6433-2MB, PAN 6433-2MA**



**\* JN1003 MA  
 \* PAN6433-2MA  
 \* 10-432984-XXX**

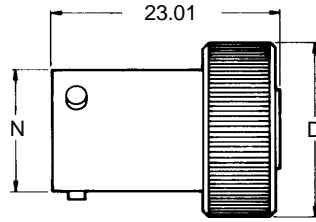
| Finish                           | Suffix |
|----------------------------------|--------|
| Chromate treat                   | -XX0   |
| Anodic coating                   | -XX5   |
| Cadmium plate nickel base        | -XX7   |
| Olive Drab, Cadmium, nickel base | -XX9   |
| Electroless nickel               | -XXG   |

| Shell Size | A Dia Max | B Dia Max | L Max | E Min |
|------------|-----------|-----------|-------|-------|
| 8          | 19        | 16.28     | 21.03 | 69.85 |
| 10         | 22        | 19.46     | 21.03 | 69.85 |
| 12         | 26        | 22.63     | 21.03 | 82.55 |
| 14         | 29        | 25.81     | 21.03 | 82.55 |
| 16         | 33        | 28.98     | 21.03 | 82.55 |
| 18         | 36        | 32.16     | 21.03 | 82.55 |
| 20         | 39        | 38.63     | 21.03 | 95.25 |
| 22         | 44        | 41.28     | 21.03 | 95.25 |
| 24         | 46        | 41.68     | 21.82 | 95.25 |

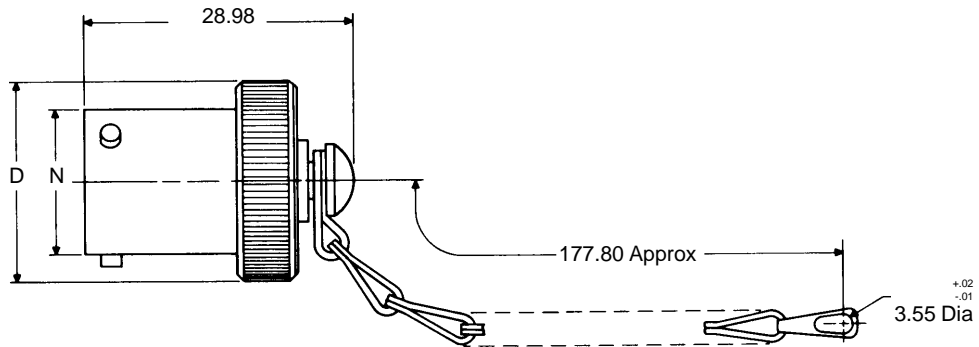
All dimensions are for reference only

# Plug protection cap

Plug protection cap



\*10-476801-XXX



- \* 10-476810-XXX
- \* JN1003MFXX
- \* PAN 6433-2MFXX

\*To complete order number, add shell size and suffix number.  
For example shell size 10 with bright cadmium plated Nickel base, 10-476810-107

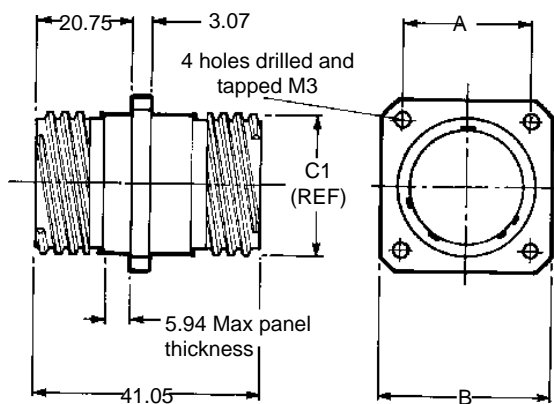
| Shell Size | D Dia Max | N Max |
|------------|-----------|-------|
| 8          | 17.48     | 12.01 |
| 10         | 20.63     | 14.99 |
| 12         | 24.61     | 19.05 |
| 14         | 27.79     | 22.23 |
| 16         | 30.96     | 25.40 |
| 18         | 34.14     | 28.58 |
| 20         | 37.31     | 31.75 |
| 22         | 40.49     | 34.93 |
| 24         | 43.66     | 38.10 |

All dimensions for reference only

| Finish                               | 10-No. Suffix |
|--------------------------------------|---------------|
| Bright cadmium plated nickel base    | XX7           |
| Anodic coating (Alumilite)           | XX5           |
| Chromate Treated (Iridite 14-2)      | XX0           |
| Olive drab cadmium plate nickel base | XX9           |
| Electroless nickel coating           | XXG           |

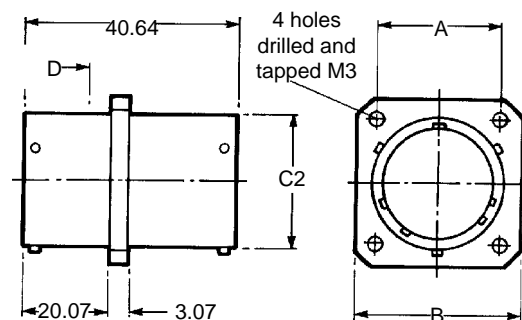
- For feed through or breaks on backhead of panel
- Pin and socket double ended contacts
- Drilled and tapped mounting holes

### TVB Intermates with MIL-C-38999 Series III connectors



TVBK=Electroless nickel TVBW=Olive drab TVBB = Ni Al Bronze  
Example part number: TVBW-25-35PSN(W02)

### LJTB Intermates with MIL-C-38999 Series 1 connectors



Example part number: LJTB-25-35PS(014)(W02)

| Shell size | A     | B     | C1    | C2    | D<br>LJT Max<br>Panel thickness |
|------------|-------|-------|-------|-------|---------------------------------|
| 9          | 18.26 | 23.83 | 15.88 | 14.53 | 5.18                            |
| 11         | 20.62 | 26.19 | 19.05 | 17.78 | 5.18                            |
| 13         | 23.01 | 28.58 | 22.25 | 21.59 | 5.18                            |
| 15         | 24.61 | 30.96 | 27.94 | 24.77 | 5.18                            |
| 17         | 26.97 | 33.32 | 30.15 | 27.94 | 5.18                            |
| 19         | 29.36 | 36.53 | 31.75 | 30.66 | 5.18                            |
| 21         | 31.75 | 39.67 | 34.93 | 33.83 | 5.18                            |
| 23         | 34.93 | 42.88 | 38.10 | 37.01 | 5.18                            |
| 25         | 38.10 | 46.02 | 41.28 | 40.18 | 4.90                            |

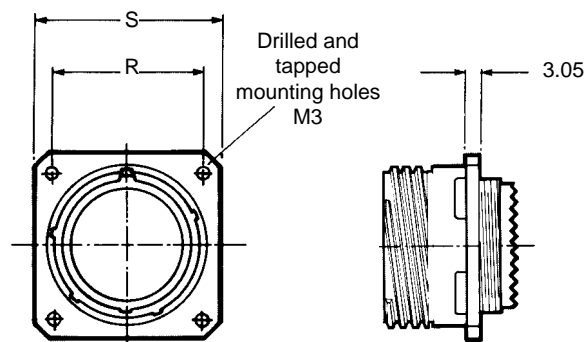
## Drilled and tapped mounting holes (W02) deviation

- Eases connector mounting
- Cost effective
- Alleviates the possibility of mounting nuts falling into equipment

Available in all square flange sizes

N.B Flange thickness is increased to 3.05

Example part number LJTP02RE1535PN(W02)



| Shell size | LJT/TV |       |
|------------|--------|-------|
|            | R      | S     |
| 9          | 18.26  | 23.83 |
| 11         | 20.62  | 26.19 |
| 13         | 23.01  | 28.58 |
| 15         | 24.61  | 30.96 |
| 17         | 26.97  | 33.32 |
| 19         | 29.36  | 36.53 |
| 21         | 31.75  | 39.67 |
| 23         | 34.93  | 42.88 |
| 25         | 38.10  | 46.02 |

| Shell size | SJT   |       |
|------------|-------|-------|
|            | R     | S     |
| 8          | 15.09 | 20.62 |
| 10         | 18.26 | 23.80 |
| 12         | 20.62 | 26.19 |
| 14         | 23.01 | 28.55 |
| 16         | 24.61 | 30.96 |
| 18         | 26.97 | 33.30 |
| 20         | 29.36 | 36.53 |
| 22         | 31.75 | 39.67 |
| 24         | 34.93 | 41.35 |

All dimensions for reference only

# Crimp Contacts

| Contact Size | SJT/JT/LJT Pins + TV |                | JT Sockets     |               | SJT/LJT Sockets + TV |               |
|--------------|----------------------|----------------|----------------|---------------|----------------------|---------------|
|              | Proprietary No       | MS Number      | Proprietary No | MS Number     | Proprietary No       | MS Number     |
| 8 (Coax)     | 21-33102-21          | M39029/60-367  | NA             | NA            | 21-33101-21          | M39029/59-366 |
| 8 (Twinax)   | 21-33190-529         | M39029/90-529† | NA             | NA            | 21-33191-530†        | M39029/91-530 |
| 10 (Power)   | 10-251415-105        | M39029/58-528  | NA             | NA            | 10-407035-105        | M39029/56-527 |
| 12           | 10-251415-12H        | M39029/58-365  | 10-251416-125  | M39029/57-359 | 10-407035-125        | M39029/56-353 |
| 16           | 10-251415-165        | M39029/58-364  | 10-251416-165  | M39029/57-358 | 10-407035-165        | M39029/56-352 |
| 20           | 10-251415-205        | M39029/58-363  | 10-497401-205  | M39029/57-357 | 10-497403-205        | M39029/56-351 |
| 22           | 10-251415-225        | M39029/58-362  | 10-251416-225  | M39029/57-356 | 10-407035-225        | M39029/56-350 |
| 22M          | 10-251415-235        | M39029/58-361  | 10-251416-235  | M39029/57-355 | 10-407035-235        | M39029/56-349 |
| 22D          | 10-251415-725        | M39029/58-360  | 10-251416-725  | M39029/57-354 | 10-407035-725        | M39029/56-348 |

† for use with M17/M176-00002 cable.

## Filler Plugs

| Contact Size | Sealing Plugs  |              |
|--------------|----------------|--------------|
|              | Proprietary No | MS Number    |
| 8 (Coax)     | 10-482099-8    | NA           |
| 8 (Twinax)   | 10-405996-8-1  | MS27488-8-1  |
| 10 (Power)   | 10-576225      | NA           |
| 12           | 10-405996-12-1 | MS27488-12-1 |
| 16           | 10-405996-16-1 | MS27488-16-1 |
| 20           | 10-405996-20-1 | MS27488-20-1 |
| 22D          | 10-405996-22-1 | MS27488-22-1 |

## Dummy Contacts

| Dummy Contacts Size |          |
|---------------------|----------|
| 8 Pin               | 418-920P |
| 8 Sockets           | 418-920S |

## Thermocouple Contacts

| Contact Size | Material    | JT/LJT/TV Pins | JT Sockets    | LJT/TV Sockets |
|--------------|-------------|----------------|---------------|----------------|
| 20           | Chromel     | 10-407862-310  | 10-407863-310 | 10-407865-310  |
|              | Alumel      | 10-407862-320  | 10-407863-320 | 10-407865-320  |
|              | Iron        | 10-407862-335  | 10-407863-335 | 10-407865-335  |
|              | Constanstan | 10-407862-342  | 10-407863-342 | 10-407864-342  |

## Premating Contacts

| SJT/LJT/JT/TV | Size 20           | Size 16           | Size 12           |
|---------------|-------------------|-------------------|-------------------|
| Pin Contact   | 418-1038-2000P-02 | 418-1038-1600P-02 | 418-1038-1200P-02 |

## Last Mate Contacts

| SJT/LJT/JT/TV | Size 20           | Size 16           | Size 12           |
|---------------|-------------------|-------------------|-------------------|
| Pin Contact   | 418-1038-2001P-02 | 418-1038-1601P-02 | 418-1038-1201P-02 |

## Heavy Duty Power Contacts

Size 8 Power Contacts rated at 60 amps. LJT, SJT, TV Series only.

8 AWG Cable:  
Pin Contact 900-197  
Socket Contact 900-217

10 AWG Cable:  
Standard Contact plus Reducing Sleeve 900-154



| Contact Size/Type                        | Crimping Tool                             | Turret Die or Positioner                  |
|--|---|---|
| 12 Pin and Socket                        | M22520/1-01                               | M22520/1-04                               |
| 16 Pin and Socket                        | M22520/1-01<br>M22520/7-01                | M22520/1-04<br>M22520/7-04                |
| 20 Pin and Socket                        | M22520/1-01<br>M22520/2-01<br>M22520/7-01 | M22520/1-04<br>M22520/2-10<br>M22520/7-08 |
| 22, 22D, 22M Pin                         | M22520/2-01<br>M22520/7-01                | M22520/2-09<br>M22520/7-07                |
| 22, 22D, 22M Socket (LJT-R)              | M22520/2-01<br>M22520/7-01                | M22520/2-07<br>M22520/7-05                |
| 22D Socket (JT-R)                        | M22520/2-01<br>M22520/7-01                | M22520/2-06<br>M22520/7-06                |
| 8 Twinax Centre Pin and Socket           | M22520/2-01                               | M22520/2-37                               |
| 8 Twinax Intermediate Outer Pin & Socket | M22520/5-01                               | M22520/5-200                              |

| Contact Size/Type               | Crimping Tool                              | Turret Die or Positioner  |
|---------------------------------|--|---|
| 8 Coaxial Inner Pin and Socket  | M22520/2-01                                | M22520/2-31   |
| 8 Coaxial Outer Pin and Socket  | M22520/5-01<br>M22520/5-01<br>M22520/10-01 | M22520/5--05 Die Closure B<br>M22520/5-41 Die Closure B<br>M22520/10-07 Die Closure B |
| 16 Coaxial Inner Pin and Socket | M22520/2-01                                | M22520/2-35   |
| 16 Coaxial Outer Pin and Socket | M22520/4-01                                | M22520/4-02   |
| 12 Coaxial Inner Pin and Socket | M22520/2-01                                | M22520/2-34   |
| 12 Coaxial Outer Pin and Socket | M22520/31-01                               | M22520/31-02  |
| 10 (Power)                      | *CONSULT                                   | FACTORY   |

Where 2 or 3 tools are listed for a contact size, only one tool and its die or positioner are required to crimp the contact. The above crimping tools and positioners are available from the approved tool manufacturer.

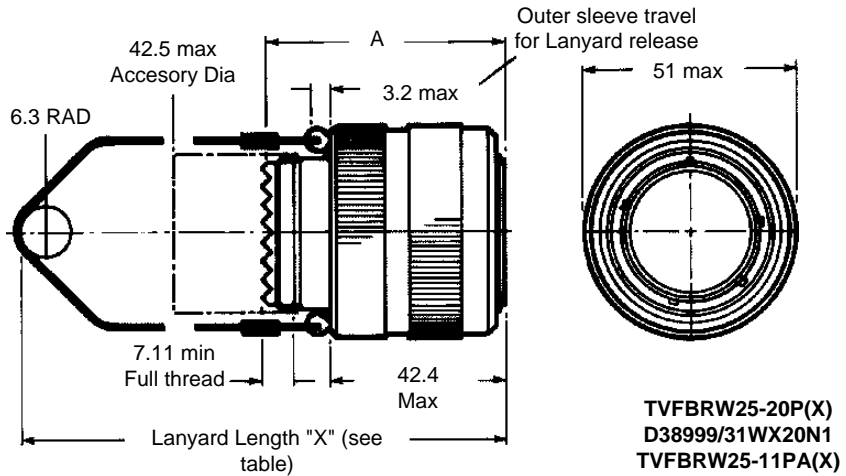
## Insertion Tools

| Use With Contact Size | Plastic Tools |                  | Metal Tools    |                         |                         |        |
|-----------------------|---------------|------------------|----------------|-------------------------|-------------------------|--------|
|                       | Part Number   | Colour           | Angle Type     |                         | Straight Type           | Colour |
|                       |               |                  | MS Part Number | Proprietary Part Number | Proprietary Part Number |        |
| 12                    | M81969/14-04  | Yellow / (White) | M81969/8-09    | 11-8674-12              | 11-8794-12              | Yellow |
| 16                    | M81969/14-03  | Blue / (White)   | M81969/8-07    | 11-8674-16              | 11-8794-16              | Blue   |
| 20                    | M81969/14-10  | Red / (Orange)   | M81969/8-05    | 11-8674-20              | 11-8794-20              | Red    |
| 22                    | M81969/14-09  | Brown / (White)  | M81969/8-03    | 11-8674-22              | 11-8794-22              | Brown  |
| 22D, 22M              | M81969/14-01  | Green / (White)  | M81969/8-01    | 11-8674-24              | 11-8794-24              | Black  |
| 8 Coaxial             | None Required |                  |                |                         |                         |        |
| 8 Twinax              | None          |                  | M81969/46-06   | None                    |                         | Red    |

## Removal Tools

| Use With Contact Size | Plastic Tools |                  | For Unwired Contacts Proprietary Part Number | Metal Tools    |                         |                     | Colour Code    |
|-----------------------|---------------|------------------|--|----------------|-------------------------|---------------------|----------------|
|                       | Part Number   | Colour Code      |  | Angle Type     |                         | Straight Type       |                |
|                       |               |                  |  | MS Part Number | Proprietary Part Number | Proprietary Part No |                |
| 12                    | M81969/14-04  | (Yellow) / White | 11-10050-11                                  | M81969/8-10    | 11-8675-12              | 11-8795-12          | Yellow / White |
| 16                    | M81969/14-03  | (Blue) / White   | 11-10050-10                                  | M81969/8-08    | 11-8675-16              | 11-8795-16          | Blue / White   |
| 20                    | M81969/14-10  | (Red) / Orange   | 11-10050-9                                   | M81969/8-06    | 11-8675-20              | 11-8795-20          | Red / White    |
| 22                    | M81969/14-09  | (Brown) / White  | 11-10050-8                                   | M81969/8-04    | 11-8675-22              | 11-8795-22          | Brown / White  |
| 22D, 22M              | M81969/14-01  | (Green) / White  | 11-10050-7                                   | M81969/8-02    | 11-8675-24              | 11-8795-24          | Black / White  |
| 8 Coaxial             | M81969/14-12  | Green            | None   | None           | 11-9170                 | DRK264-8            | N/A            |
| 8 Twinax              | M81969/14-12  | Green            | None   | M81969/46-12   | 11-9170                 | N/A                 | N/A            |

- Swivel Lanyard
- Moisture / Ice Resistant
- Approved to D38999 / 31 , JN1034, complies with Stanag 3837AA
- Insert arrangement compatible with MIL-STD-1553B databus



Replace 'X' in part number with Lanyard length

| Shell size * | A max dia |
|--------------|-----------|
| 11           | 33.02     |
| 13           | 36.02     |
| 15           | 39.52     |
| 17           | 41.00     |
| 19           | 41.00     |
| 23           | 47.42     |
| 25           | 51.00     |

| Lanyard code* | Length ±6mm |
|---------------|-------------|
| D             | 140         |
| E             | 153         |
| F             | 166         |
| G             | 178         |
| H             | 191         |
| K             | 229         |
| M             | 254         |
| J             | 407         |
| X             | 432         |

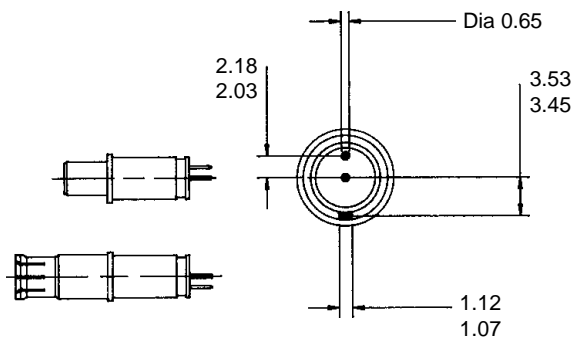
\* Other sizes available on request

- For MIL-STD-1760 applications only, 25-20 and 25-11 inserts should be used

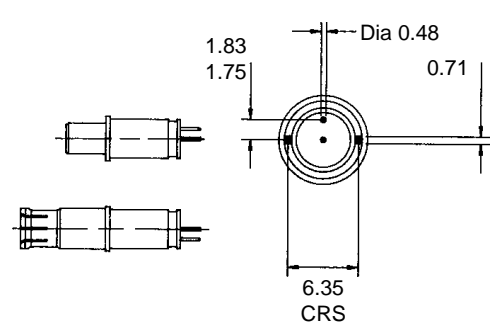
| Contact size | Under D38999/31                 |               | Socket Contacts    |               |
|--------------|---------------------------------|---------------|--------------------|---------------|
|              | Pin contacts Proprietary Number | MS Number     | Proprietary Number | MS Number     |
| 8 (twinax)   | 21-33190-529                    | M39029/90-529 | 21-33191-530       | M39029/91-530 |
| 10 (power)   | 10-251415-105                   | M39029/58-528 | 10-407035-105      | M39029/56-527 |
| 12 (coax)    | 21-33122-546                    | M39029/28-211 | 21-33123-546       | M39029/75-418 |
| 16 (power)   | 10-251415-165                   | M39029/58-364 | 19-407035-165      | M39029/56-352 |
| 20 (power)   | 10-251415-205                   | M39029/58-363 | 10-497403-205      | M39029/91-351 |

| Contact size | Under TVFBRW 25                 |                 | Under JN1034E                   |                 |
|--------------|---------------------------------|-----------------|---------------------------------|-----------------|
|              | Pin contacts Proprietary Number | Socket Contacts | Pin contacts Proprietary Number | Socket Contacts |
| 8 (twinax)   | 711-1760-1-14                   | 711-1760-2-14   | 711-1760-1-32                   | 711-1760-2-32   |
| 10 (power)   | 10-251415-105                   | 10-407935-105   |                                 |                 |
| 12 (coax)    | 21-33122-546                    | 21-33123-546    | 21-33122-546                    | 21-33123-546    |
| 16 (power)   | 10-251415-165                   | 10-407035-165   | 10-251415-165                   | 10-407035-165   |
| 20 (power)   | 10-251415-205                   | 10-497403-205   | 10-251415-205                   | 10-497403-205   |

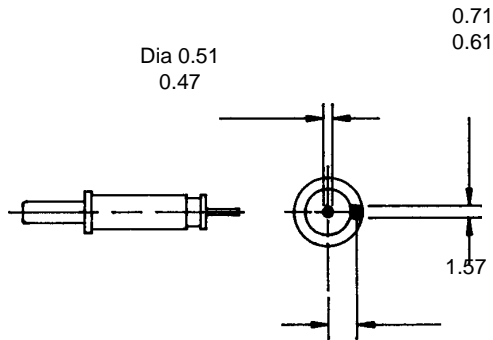
Append "L/C" to part number if no contacts are required  
All dimensions are for reference only



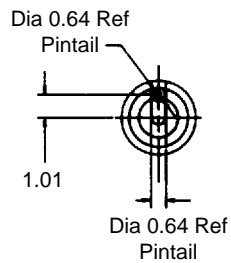
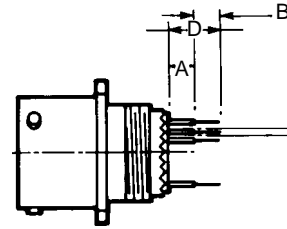
**711GB-0329-1**  
**711GB-0329-2**



**711-1760-1PC**  
**711-1760-2PC**  
**711-1760-3PC**



**418-1440-1200P-IPC**



**418-1608-1600S-1PC**

|                     | TV07 | TV06 | TVP00 | LJT00 | LJT06 | LJTPQ00 | LJT07 #9 | LJT07 #19-25 | LJTP02 LJT02 | JTPQ00 #8 | JT06 #8 | JT00 #8 | JT07 #8 | JTPQ00 #24 | JT06 #24 | JT07 #24 | JT00 #24 | SJT06 #8 | SJT00 #8 | SJT00 #24 | SJT07 #8-16 | SJT07 #18-24 |   |
|---------------------|------|------|-------|-------|-------|---------|----------|--------------|--------------|-----------|---------|---------|---------|------------|----------|----------|----------|----------|----------|-----------|-------------|--------------|---|
| Size 8 Data Bus Pin | B    | D    | D     | D     | D     | D       | D        | D            | D            | D         | D       | D       | D       | D          | D        | D        | D        | D        | D        | D         | D           | D            | D |
| 711GB-0329-1        | 4,32 | 4,32 | 4,32  | 4,98  | 4,39  | 4,60    | 4,43     | 3,75         | 10,16        | 7,87      | 8,31    | 8,31    | 8,31    | 6,58       | 6,58     | 6,58     | 6,58     | 3,66     | 4,98     | 3,58      | NS          | NS           |   |
| 711-1760-1PC        | 2,79 | 2,79 | 2,79  | 3,48  | 2,87  | 3,10    | 3,00     | 2,25         | 8,66         | 6,38      | 6,81    | 6,81    | 6,81    | 5,08       | 5,08     | 5,08     | 5,08     | 2,16     | 3,48     | 2,08      | NS          | NS           |   |

| Size 8 Data Bus Socket | B    | D    | D    | D    | D    | D    | D    | D    | D     | D                  | D | D | D | D | D | D | D | D | D    | D    | D    | D  |    |
|------------------------|------|------|------|------|------|------|------|------|-------|--------------------|---|---|---|---|---|---|---|---|------|------|------|----|----|
| 711GB-0329-2           | 4,10 | 4,10 | 4,10 | 4,78 | 4,17 | 4,39 | 4,24 | 3,75 | 9,96  |                    |   |   |   |   |   |   |   |   | 3,45 | 4,78 | 3,38 | NS | NS |
| 711-1760-2PC           | 2,59 | 2,59 | 2,59 | 3,28 | 2,67 | 2,90 | 2,74 | 2,25 | 8,46  | TV, LJT & SJT ONLY |   |   |   |   |   |   |   |   | 1,96 | 3,28 | 1,88 | NS | NS |
| 711-1760-3PC           | 4,76 | 4,76 | 4,76 | 5,44 | 4,83 | 5,05 | 4,90 | 4,41 | 10,62 |                    |   |   |   |   |   |   |   |   | 4,11 | 5,44 | 4,04 | NS | NS |

| Size 12 Coax Pin   | B    | D    | D    | D    | D    | D    | D    | D    | D    | D    | D    | D    | D    | D    | D    | D    | D    | D    | D    | D    | D  |    |
|--------------------|------|------|------|------|------|------|------|------|------|------|------|------|------|------|------|------|------|------|------|------|----|----|
| 418-1440-1200P-1PC | 2,79 | 2,79 | 2,79 | 3,48 | 2,87 | 3,10 | 3,00 | 2,25 | 8,66 | 6,38 | 6,81 | 6,81 | 6,81 | 5,08 | 5,08 | 5,08 | 5,08 | 5,16 | 3,48 | 2,08 | NS | NS |

| Size 16 Coax Socket | B    | D    | D    | D    | D    | D    | D    | D    | D     | D                  | D | D | D | D | D | D | D | D | D    | D    | D    |    |    |
|---------------------|------|------|------|------|------|------|------|------|-------|--------------------|---|---|---|---|---|---|---|---|------|------|------|----|----|
| 418-1608-1600S-1PC  | 4,48 | 4,47 | 4,47 | 5,16 | 4,55 | 4,78 | 4,62 | 4,13 | 10,34 | TV, LJT & SJT ONLY |   |   |   |   |   |   |   |   | 3,84 | 5,16 | 3,76 | NS | NS |

All dimensions for reference only

| Contacts                          |                               | P/S | Size | Cable  | Crimping Tools   |  |
|-----------------------------------|-------------------------------|-----|------|--|--|--|
| LJT/TV/SJT                        | JT                            |     |      |  | Inner Contact  | Crimp Ferrule  |
| 418-840-16001-02<br>M39029/76-424 |                               | P   | 16   | RG179B/U<br>RG174a/U<br>RG188A/U<br>RG316/U<br>RG161/U<br>RG187A/U<br>Teledyne<br>11299<br>Times<br>(HS-179)<br>AA3248 | MIL-C-22520/2-01<br>with positioner<br>M22520/2-35 or<br>Daniels Positioner<br>K32 | M22520/4-01<br>with positioner<br>M2520/4-02   |
| 418-841-16001-02<br>M39029/77-428 | 21-33121-563<br>M39029/78-432 | S   | 16   |  |  |  |
| 418-840-12001-02<br>M39029/28-211 |                               | P   | 12   |  | MIL-C-22520/2-01<br>with positioner<br>M22520/2-34 or<br>Daniels Positioner<br>323 | M22520/31-01<br>Positioner<br>M22520/31-02 or<br>Daniels G5200 Tool<br>Positioner G2P330 |
| 418-841-12001-02<br>M39029/75-416 | 21-33121-546<br>M39029/27-210 | S   | 12   |  |  |  |

Partial Lists - Please see "Coaxial Contacts" catalogue for other contacts available

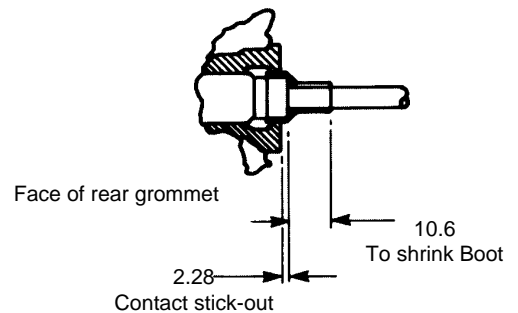
## Short #8 MIL-STD-1553B Contacts for 1760 Interfaces

Contacts designed to meet the requirements of MIL-C-39029/90A (PIN) and 91A (Socket). For use in aircraft stores management interfaces.

### 711-1760-X-X X

|   |  |
|---|--|
| <b>Series Designator</b>  | <b>Variation (Cable accepted)</b><br>1- Raychem EPD 221898 & 10614<br>Grumman GC 875 F24H<br>2- Raychem 10613<br>711 Series - Pan 6421<br>3- McDonnell Douglas<br>SM2022/003<br>4- Tensolite M17/176.00002<br>Raychem 10612<br>5- Rychem 10606<br>6- Raychem EPD 2984A |
| <b>Contact Style</b><br>1=Pin<br>2=Socket   |  |
| <b>Sealing Style</b><br>0=No seal supplied<br>1=1760/heatshrink boot<br>2=38999/cable grommet<br>3=Improved cable grommet |  |

### \*JN1057-X 711-1760-X-XX in situ dimensions

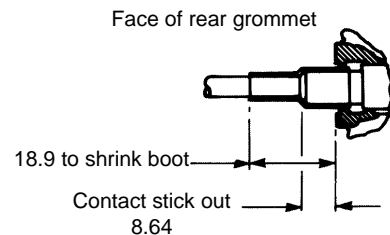


Contacts are of a four piece weight reduced design and utilises the MIL-Spec tooling listed below-

For centre contact crimp - Positioner Part No. 294GB 5049  
Hand tool M22520/2-01

For intermediate & outer Body crimps Die Part No 294GB 5050  
Hand tool M22520/5-01

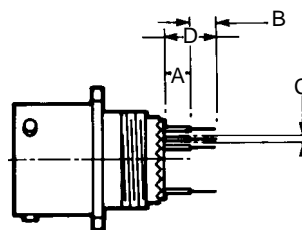
### M39029/90/91A in situ dimensions



|                   | Tail Dia "C" | Tail Length "B" | TV07/TV06 TVP00 | LJT00 LJT06 | LJTPQ00 | LJT07 #9-15 | LJT07 #17-25 | LJT02/JTP02 LJTP02/JT02 | JTP000 #8-22 JT06 #8-22 | JT00 #8-22 JT07 #8-22 | JTPQ00/JT06 #24 JT07/JT00 #24 | SJT06 SJT00 #8-22 | SJT00 #24 | SJT07 #8-16 | SJT07 #18-24 |
|-------------------|--------------|-----------------|-----------------|-------------|---------|-------------|--------------|-------------------------|-------------------------|-----------------------|-------------------------------|-------------------|-----------|-------------|--------------|
| Pin size 16       | C            | B               | A               | A           | A       | A           | A            | A                       | A                       | A                     | A                             | A                 | A         | A           | A            |
| 418-926-1600P-02  | 1.22         | 2.95            | 5.74            | 6.40        | 6.02    | 5.87        | 5.38         | 11.58                   | 9.32                    | 9.78                  | 8.03                          | 6.40              | 5.00      | NS          | NS           |
| 418-1086-1600P-02 | 0.99         | 8.64            | 6.71            | 7.37        | 6.99    | 6.83        | 6.35         | 12.55                   | 10.29                   | 10.74                 | 8.97                          | 7.37              | 5.97      | 1.96        | NS           |
| 418-1229-1600P-02 | 1.22         | 3.99            | 9.58            | 10.24       | 9.86    | 9.70        | 9.22         | 15.42                   | 13.16                   | 13.61                 | 11.86                         | 10.24             | 8.84      | 4.83        | 4.04         |
| 418-926-1602P-02  | 1.14         | 8.00            | 9.80            | 10.46       | 10.08   | 9.93        | 9.45         | 15.65                   | 13.39                   | 13.84                 | 12.09                         | 10.46             | 9.07      | 5.05        | 4.27         |
| Socket size 16    | C            | B               | A               | A           | A       | A           | A            | A                       | A                       | A                     | A                             | A                 | A         | A           | A            |
| 418-1086-1600S-02 | 1.04         | 8.64            | 6.73            | 7.39        | 7.01    | 6.86        | 6.35         | 12.57                   | LJT SJT TV only         |                       |                               | 7.39              | 5.99      | 1.98        | NS           |

\*Ref to drawing below (Wire Wrap Contacts)

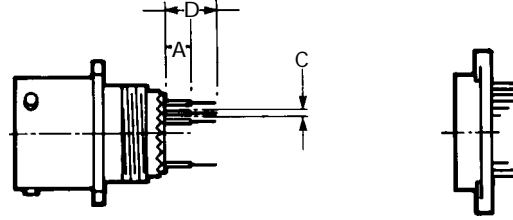
## Wire Wrap Contacts



|                   | Tail Square "C" | Tail Length "B" | TV07/TV06 TVP00 | LJT00 LJT06 | LJTP000 | LJT07 #9-15 | LJT07 #17-25 | LJT02/JTP02 LJTP02/JT02 | JTP000 #8-22 JT06#8-22 | JT00 #8-22 JT07 #8-22 | JTP000/JT06 #24 JT07/JT00 #24 | SJT06 SJT00 #8-22 | SJT00 #24 | SJT07 #8-16 | SJT07 #18-24 |
|-------------------|-----------------|-----------------|-----------------|-------------|---------|-------------|--------------|-------------------------|------------------------|-----------------------|-------------------------------|-------------------|-----------|-------------|--------------|
| Pin #22D          | C               | B               | A               | A           | A       | A           | A            | A                       | A                      | A                     | A                             | A                 | A         | A           | A            |
| 418-982-22001-02  | 0.63            | 11.94           | 6.20            | 6.86        | 6.48    | 6.32        | 5.84         | 12.03                   | 9.78                   | 10.24                 | 8.48                          | 6.86              | 5.46      | NS          | NS           |
| 418-982-2202P-02  | 0.63            | 15.54           | 15.34           | 16.00       | 15.62   | 15.47       | 14.99        | 21.18                   | 18.92                  | 19.38                 | 17.63                         | 16.00             | 14.60     | 10.59       | 9.80         |
| 418-982-2200P-02  | 0.63            | 12.62           | 17.83           | 18.49       | 18.11   | 17.96       | 17.47        | 22.61                   | 21.41                  | 21.87                 | 20.17                         | 18.49             | 17.09     | 13.08       | 12.29        |
| Socket#22D        | C               | B               | A               | A           | A       | A           | A            | A                       | A                      | A                     | A                             | A                 | A         | A           | A            |
| 418-982-2202S-02  | 0.64            | 15.54           | 15.06           | 15.72       | 15.34   | 15.19       | 14.68        | 20.90                   | LJT only               |                       |                               | 15.72             | 14.33     | 10.31       | 9.53         |
| 418-982-2200S-02  | 0.64            | 12.75           | 17.55           | 18.21       | 17.83   | 17.68       | 17.17        | 23.39                   | LJT only               |                       |                               | 18.21             | 16.81     | 12.80       | 12.01        |
| Pin#20            | C               | B               | A               | A           | A       | A           | A            | A                       | A                      | A                     | A                             | A                 | A         | A           | A            |
| 418-982-2002P-02  | 0.64            | 15.54           | 15.34           | 16.00       | 15.62   | 15.47       | 24.13        | 21.18                   | 18.92                  | 19.38                 | 17.63                         | 16.00             | 14.61     | 10.59       | 9.80         |
| Socket #20        | C               | B               | A               | A           | A       | A           | A            | A                       | A                      | A                     | A                             | A                 | A         | A           | A            |
| 418-1086-2002S-02 | 0.64            | 15.70           | 15.04           | 15.54       | 15.34   | 15.19       | 14.68        | 20.90                   | LJT only               |                       |                               | 15.72             | 14.33     | 10.31       | 9.50         |

All dimensions are nominal, "NS" Designates no stick out, "#" designates shell size  
To ensure grommet sealing - stickout dimensions should be equal to or greater than contact tail length

- Can be supplied fitted or loose
- Standard insert extraction tools
- Gold plating in accordance with MIL-C-39029
- Can be used with Harwin Sockets



|                   | Tail Dia "C" | Tail Length "B" | TV07/TV06 | TVP00 | LJT00 | LJT06 | LJTPQ00 | LJT07 #9-15 | LJT07 #17-25 | LJT02/JTP02 | LJT02/JT02 | JTP00/JT06 #8-22 | JT00 /JT07#8-22 | JTPQ00/JT06 /JT07/JT00# | SJT06 | SJT00 #8-22 | SJT00 #24 | SJT07 #8-16 | SJT07 #18-24 |
|-------------------|--------------|-----------------|-----------|-------|-------|-------|---------|-------------|--------------|-------------|------------|------------------|-----------------|-------------------------|-------|-------------|-----------|-------------|--------------|
| Pin size #22D     | C            | B               | D         | D     | D     | D     | D       | D           | D            | D           | D          | D                | D               | D                       | D     | D           | D         | D           | D            |
| 418-1227-2200P-02 | 0.027        | 0.122           | NS        | NS    | NS    | NS    | NS      | NS          | 0.163        | 0.073       | 0.091      | NS               | NS              | NS                      | NS    | NS          | NS        | NS          | NS           |
| 418-923-2200P-02  | 0.024        | 0.158           | NS        | NS    | NS    | NS    | NS      | NS          | 0.217        | 0.128       | 0.146      | 0.077            | NS              | NS                      | NS    | NS          | NS        | NS          | NS           |
| 418-818-2200P-02  | 0.028        | 0.157           | 0.062     | 0.088 | 0.073 | 0.067 | NS      | NS          | 0.292        | 0.203       | 0.221      | 0.152            | 0.088           | NS                      | NS    | NS          | NS        | NS          | NS           |
| 418-929-22001-02  | 0.019        | 0.160           | 0.123     | 0.149 | 0.134 | 0.128 | 0.109   | 0.109       | 0.353        | 0.264       | 0.282      | 0.213            | 0.149           | 0.094                   | NS    | NS          | NS        | NS          | NS           |
| 418-1075-2200P-02 | 0.019        | 0.118           | 0.167     | 0.193 | 0.178 | 0.172 | 0.153   | 0.397       | 0.308        | 0.326       | 0.266      | 0.193            | 0.138           | NS                      | NS    | NS          | NS        | NS          | NS           |
| 418-926-2200P-02  | 0.019        | 0.118           | 0.189     | 0.215 | 0.200 | 0.194 | 0.175   | 0.419       | 0.330        | 0.348       | 0.279      | 0.215            | 0.160           | NS                      | NS    | NS          | NS        | NS          | NS           |
| 418-1228-2200P-02 | 0.015        | 0.138           | 0.233     | 0.259 | 0.244 | 0.238 | 0.219   | 0.463       | 0.374        | 0.382       | 0.323      | 0.259            | 0.204           | NS                      | NS    | NS          | NS        | NS          | NS           |
| 418-1086-2200P-02 | 0.019        | 0.348           | 0.264     | 0.290 | 0.275 | 0.269 | 0.250   | 0.494       | 0.405        | 0.423       | 0.353      | 0.290            | 0.235           | 0.077                   | NS    | NS          | NS        | NS          | NS           |
| 418-926-2201P-02  | 0.019        | 0.276           | 0.346     | 0.373 | 0.376 | 0.352 | 0.333   | 0.577       | 0.488        | 0.506       | 0.437      | 0.373            | 0.318           | 0.160                   | 0.129 | NS          | NS        | NS          | NS           |
| 418-926-2202P-02  | 0.019        | 0.315           | 0.386     | 0.412 | 0.397 | 0.391 | 0.372   | 0.616       | 0.527        | 0.545       | 0.476      | 0.412            | 0.357           | 0.199                   | 0.168 | NS          | NS        | NS          | NS           |
| 418-929-22004     | 0.019        | 0.253           | 0.554     | 0.580 | 0.565 | 0.559 | 0.540   | 0.784       | 0.695        | 0.713       | 0.644      | 0.580            | 0.525           | 0.367                   | 0.336 | NS          | NS        | NS          | NS           |

| Socket size 22D   | C     | B     | D                  | D     | D     | D     | D     | D     | D               | D                     | D | D     | D                  | D     | D  | D  | D  | D  | D  |
|-------------------|-------|-------|--------------------|-------|-------|-------|-------|-------|-----------------|-----------------------|---|-------|--------------------|-------|----|----|----|----|----|
| 418-923-2200S-02  | 0.023 | 0.158 | NS                 | NS    | NS    | NS    | NS    | 0.206 | LJT SJT TV only |                       |   | NS    | NS                 | NS    | NS | NS | NS | NS | NS |
| 418-1075-2200S-02 | 0.019 | 0.119 | 0.165              | 0.191 | 0.176 | 0.170 | 0.150 | 0.395 | LJT SJT TV only |                       |   | 0.191 | 0.136              | NS    | NS | NS | NS | NS | NS |
| 418-926-2200S-02  | 0.019 | 0.118 | 0.178              | 0.204 | 0.189 | 0.183 | 0.164 | 0.408 | LJT SJT TV only |                       |   | 0.204 | 0.149              | NS    | NS | NS | NS | NS | NS |
| 418-818-2200S-02  | 0.028 | 0.157 | JT connectors only |       |       |       |       |       | 0.438           | 0.348   0.366   0.297 |   |       | JT connectors only |       |    |    |    |    |    |
| 418-1077-2200S-02 | 0.027 | 0.290 | 0.241              | 0.267 | 0.252 | 0.246 | 0.226 | 0.471 | LJT SJT TV only |                       |   | 0.267 | 0.212              | NS    | NS | NS | NS | NS | NS |
| 418-1086-2200S-02 | 0.019 | 0.340 | 0.265              | 0.291 | 0.276 | 0.270 | 0.250 | 0.495 | LJT SJT TV only |                       |   | 0.291 | 0.236              | 0.078 | NS | NS | NS | NS | NS |

| Pin size 20       | C     | B     | D     | D     | D     | D     | D     | D     | D     | D     | D     | D     | D     | D     | D     | D  | D  | D  | D  |
|-------------------|-------|-------|-------|-------|-------|-------|-------|-------|-------|-------|-------|-------|-------|-------|-------|----|----|----|----|
| 418-916-2000P-02  | 0.024 | 0.100 | NS    | NS    | NS    | NS    | NS    | 0.230 | 0.141 | 0.159 | 0.090 | NS    | NS    | NS    | NS    | NS | NS | NS | NS |
| 418-1226-2000P-02 | 0.020 | 0.125 | 0.129 | 0.155 | 0.140 | 0.134 | 0.115 | 0.359 | 0.270 | 0.288 | 0.219 | 0.155 | NS    | NS    | NS    | NS | NS | NS | NS |
| 418-926-2000P-02  | 0.048 | 0.116 | 0.226 | 0.252 | 0.237 | 0.231 | 0.212 | 0.456 | 3.670 | 0.385 | 0.316 | 0.232 | 0.197 | NS    | NS    | NS | NS | NS | NS |
| 418-1086-2000P-02 | 0.039 | 0.340 | 0.265 | 0.290 | 2.750 | 0.269 | 0.250 | 0.494 | 0.405 | 0.423 | 0.353 | 0.290 | 0.235 | 0.077 | NS    | NS | NS | NS | NS |
| 418-1205-2000P-02 | 0.028 | 0.196 | 0.309 | 0.333 | 0.320 | 0.314 | 0.295 | 0.539 | 0.450 | 0.468 | 0.399 | 0.330 | 0.280 | 0.122 | 0.091 | NS | NS | NS | NS |
| 418-1229-2000P-02 | 0.048 | 0.157 | 0.377 | 0.403 | 0.388 | 0.382 | 0.363 | 0.607 | 0.518 | 0.536 | 0.467 | 0.403 | 0.348 | 0.19  | 0.159 | NS | NS | NS | NS |
| 418-929-2000P-02  | 0.045 | 0.315 | 0.386 | 0.412 | 3.670 | 0.391 | 0.372 | 0.616 | 5.270 | 0.545 | 0.476 | 0.412 | 0.357 | 0.199 | 0.168 | NS | NS | NS | NS |

| Socket Size 20    | C     | B     | D                  | D     | D     | D     | D     | D     | D               | D     | D     | D     | D                  | D     | D     | D  | D  | D  | D  |
|-------------------|-------|-------|--------------------|-------|-------|-------|-------|-------|-----------------|-------|-------|-------|--------------------|-------|-------|----|----|----|----|
| 418-818-2000S-02  | 0.028 | 0.157 | JT Connectors only |       |       |       |       |       | 0.174           | 0.084 | 0.102 | NS    | JT Connectors only |       |       |    |    |    |    |
| 418-1086-1600S-02 | 0.039 | 0.340 | 0.265              | 0.291 | 0.276 | 0.270 | 0.250 | 0.495 | LJT SJT TV only |       |       | 0.291 | 0.236              | 0.078 | NS    | NS | NS | NS | NS |
| 418-1205-2000S-02 | 0.028 | 0.197 | 0.302              | 0.328 | 0.313 | 0.307 | 0.287 | 0.532 | LJT SJT TV only |       |       | 0.328 | 0.273              | 0.115 | 0.084 | NS | NS | NS | NS |

| Pin Size #16      | C     | B     | D     | D     | D     | D     | D     | D     | D     | D     | D     | D     | D     | D     | D     | D  | D  | D  | D  |
|-------------------|-------|-------|-------|-------|-------|-------|-------|-------|-------|-------|-------|-------|-------|-------|-------|----|----|----|----|
| 418-926-1600P-02  | 0.048 | 0.116 | 0.226 | 0.252 | 0.237 | 0.231 | 0.212 | 0.456 | 0.367 | 0.385 | 0.316 | 0.252 | 0.197 | NS    | NS    | NS | NS | NS | NS |
| 418-1086-1600P-02 | 0.039 | 0.340 | 0.264 | 0.290 | 0.275 | 0.269 | 0.250 | 0.494 | 0.405 | 0.423 | 0.353 | 0.290 | 0.235 | 0.077 | NS    | NS | NS | NS | NS |
| 418-1229-1600P-02 | 0.048 | 0.157 | 0.377 | 0.403 | 0.388 | 0.382 | 0.363 | 0.607 | 0.518 | 0.536 | 0.467 | 0.403 | 0.348 | 0.19  | 0.159 | NS | NS | NS | NS |
| 418-926-1600P-02  | 0.045 | 0.315 | 0.386 | 4.120 | 0.397 | 0.391 | 0.372 | 0.616 | 0.527 | 0.545 | 0.476 | 0.412 | 0.357 | 0.199 | 0.168 | NS | NS | NS | NS |

| Socket Size #16   | C     | B     | D     | D     | D     | D     | D     | D     | D               | D | D | D     | D     | D     | D  | D  | D  | D  | D  |
|-------------------|-------|-------|-------|-------|-------|-------|-------|-------|-----------------|---|---|-------|-------|-------|----|----|----|----|----|
| 418-1086-1600S-02 | 0.041 | 0.340 | 0.265 | 0.291 | 0.276 | 0.270 | 0.250 | 0.495 | LJT SJT TV only |   |   | 0.291 | 0.236 | 0.078 | NS | NS | NS | NS | NS |

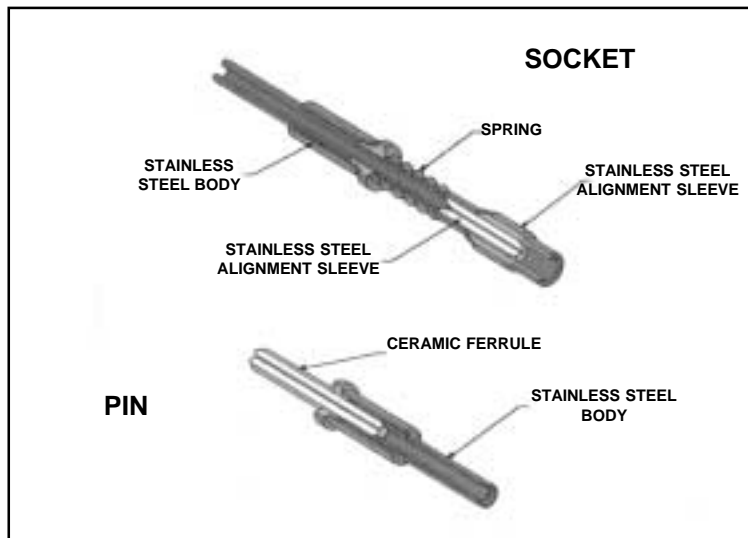
"NS" Designates no stick out. # Designates Shell Size

To ensure grommet sealing - stickout dimensions should be equal to or greater than contact tail length

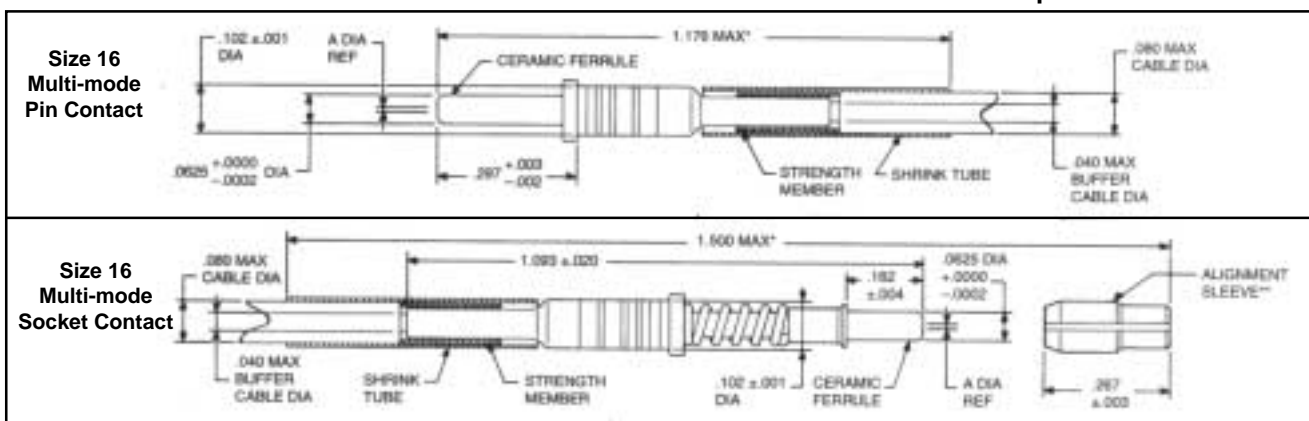
# features, how to order

Amphenol® Multi-mod16 Termini  
Features and Performance Levels:

- Ceramic alignment ferrule which precisely positions the fibre within the termini.
- Stainless steel alignment sleeve, assembled on the socket after polishing insures accurate fibre to fibre alignment (a ceramic alignment sleeve is also available).
- Typical insertion loss for 100/140fibre with .2NA at 820nm is .5 to .7 dB using Air Gap (AG) polish  
Use of the ceramic ferrule and sleeve maximises the ability to hold extremely tight dimensional tolerances while maintaining accurate concentricity, thus providing superior and consistent optical loss performance.
- Termination accomplished using the industry proven epoxy/polish method. Can be polished Air Gap (AG) or Physical Contact (PC).
- Socket cleaning optional. Consult Amphenol, for termini cleaning tool.



**Multi-mode Size 16 Fibre Optic Termini**



Amphenol® Multi-Channel fibre optic connectors are supplied less contacts. Order multi-mode termini by Amphenol part number designation or MIL-29504 designation as shown in the charts below.

• Indicated dimension when fully assembled.  
•• Alignment sleeve shipped unassembled

| Fibre Size•<br>Core Cladding<br>Dia (Microns) | Size 16 Socket | Size 16 Pin   | A Dia Ref |         |
|---|----------------|---------------|-----------|---------|
|   |                |               | Inches    | Microns |
| 50/125  | CF-198035-010  | CF-198036-010 | .0050     | 127     |
| 62.5/125                                      |                |               |           |         |
| 100/140                                       | CF-198035-017  | CF-198036-017 | .0057     | 145     |
| 100/140/172                                   | CF-198035-029  | CF-198036-029 | .0069     | 175     |
| 100/140/172                                   | CF-198035-29A  | CF-198036-29A | .0068     | 173.5   |
| 200/230                                       | CF-198035-053  | CF-198036-053 | .0093     | 236     |
| 200/240                                       | CF-198035-057  | CF-198036-057 | .0097     | 245     |
| 200/280                                       | CF-198035-074  | CF-198036-074 | .0114     | 290     |
| 200/300                                       | CF-198035-080  | CF-198036-080 | .0120     | 305     |

| M29504<br>Part Number |               | Reference<br>Amphenol Part Number |              |
|-----------------------|---------------|-----------------------------------|--------------|
| Socket                | Pin           | Socket                            | Pin          |
| M29504/5-4046         | M29504/4-4040 | CF-198035-10                      | CF-198036-10 |
| M29504/5-4050         |               | CF-198035-17                      |              |
|                       |               | CF-198036-17                      |              |

• Additional sizes available upon request

Power contacts can be purchased separately.

### LJT 06 RT\*\*-11-35 S A (014)

**Series Designator**  
MIL-C-38999  
LJT Series I  
JT Series II  
SJT PAN6433-2

**Style See Chart**

**Class**  
RE= Box mount receptacles with grommet nut  
RT= Removable contacts accessory thread  
A= Fixed solder contacts  
Y= Hermetic Seal

**Deviation see chart**

**Alternate Keyway**  
Letters A to D

**Contact Style**  
P= Pin contact  
S= Socket contact

**Insert Arrangement**

**Shell**  
LJT odd nos 9 to 25  
JT & SJT even nos 8 to 24

\* Note: Add S to TV on F class connectors  
\*\* For Hermetic connectors drop RT and replace with Y

### TV POOR W\*\*-11-35 S A (W02)

**Series**  
TV MIL-C-38999 Series 3  
CTV Composite  
(C)TVS=200°C rated

**Style See Chart**

**Contact Class**  
R= Removable Contacts  
Y= Hermetic Seal

**Class**  
\*B= Nickel Aluminium Bronze  
\*F= Electroless Nickel  
W= Olive Drab  
\*K= Fire Wall

**Deviation see chart**

**Alternate Keyway**  
Letters A to E

**Contact Style**  
P= Pin contact  
S= Socket contact

**Insert Arrangement**

**Shell Size**

\* Note: 200°C rated use "S" in part number  
\*\* For Hermetic connectors drop RW and replace with Y

### MS27467 T\*\*-11B-35 S A

**Style See Chart**

**Class**  
\*T= Threaded accessory  
E= With grommet nut  
Y= Hermetic Seal

**Shell Size**  
Series 1 Odd nos 9 to 25  
Series 2 Even Nos 8 to 24

**Finish**  
A= Clear Chromate  
B= Olive drab  
F= Electroless nickel

**Alternate Keyway**  
Letters A to D

**Contact Style**  
P= Pin contact  
S= Socket contact  
A= Less pin contact  
B= Less socket contact

**Insert arrangement**

\* Not available in box mount receptacle style  
\*\* For Hermetic connectors drop T and replace with Y

### D38999 26 W\*\* A 35 S A

**MIL-C-38999 Series III**

**Style See Chart**

**Contact**  
W= Olive drab  
F= Electroless nickel  
K= Fire Wall  
M= Electroless Nickel Composite  
J= Olive Drab Composite  
Y= Hermetic Seal

**Shell Size**  
Letters A to J  
A=9 B=11 etc

**Alternate Keyway**  
Letters A to E

**Contact Style**  
P= Pin contact  
S= Socket contact  
A= Less pin contact  
B= Less socket contact  
H= 1500 mating pin contacts  
J= 1500 mating socket contacts

**Insert arrangement**

\*\* For Hermetic connectors drop W and replace with Y

|   |    |    |    |    |    |    |    |    |                     |
|---|----|----|----|----|----|----|----|----|---------------------|
| A | B  | C  | D  | E  | F  | G  | H  | J  | MIL Shell Size      |
| 9 | 11 | 13 | 15 | 17 | 19 | 21 | 23 | 25 | AMPHENOL Shell Size |

#### Style Chart Series 1

| Style                      | LJT      | MS Series 1 | BS Series | HE308 |
|----------------------------|----------|-------------|-----------|-------|
| Wall mount receptacle      | 00       | 27466       | C6160     | 00    |
| Back wall mount receptacle | PQ00     | 27656       | C6163     |       |
| Box mount receptacle       | 02       | 27496       | C6162     |       |
| Long box mount receptacle  | 02 (053) | -           | -         |       |
| Jam nut                    | 07       | 27468       | C6167     | 07    |
| Back box receptacle        | P02      | 27505       | C6164     |       |
| Grounded plug              | 06       | 27467       | C6166     | 06    |
| Hermetic Rec. Wall Mount   | 00       | 27469       | -         | -     |
| Hermetic Jam Nut Rec.      | 07       | 27470       | -         | -     |
| Hermetic Solder Mount Rec. | 01       | 27471       | -         | -     |

#### Style Chart Series 2

| Style                      | JT       | Pan | BS series 2 | MS series 2 | HE309 |
|----------------------------|----------|-----|-------------|-------------|-------|
| Wall mount receptacle      | 00       | -   | C2022       | 27472       |       |
| Back wall mount receptacle | PQ00     | B   | C2023       | 27497       | 03    |
| Box mount receptacle       | 02       | -   | C2251       | 27499       |       |
| Long box mount receptacle  | 02 (053) | -   | C2552       | 27513       |       |
| Jam nut                    | 07       | A   | C2024       | 27474       | 07    |
| Back box receptacle        | P02      | E   | C2253       | 27508       |       |
| Plug                       | 06       | F   | C2020       | 27473       | 06    |
| Grounded plug              | G06      | FG  | C2021       | 27484       | G06   |
| Hermetic Wall Mount Rec.   | 00       | -   | -           | 27475       | -     |
| Hermetic Box Mount Rec.    | 02       | -   | -           | 27476       | -     |
| Hermetic Solder Mount Rec. | 1Y       | -   | -           | 27478       | -     |
| Hermetic Jam Nut Rec.      | 07       | -   | -           | 27477       | -     |

#### Style Chart Series 3

| Style                      | TV      | D38999 | BS Series 3 | JN1034 |
|----------------------------|---------|--------|-------------|--------|
| Back wall mount receptacle | (S) P00 | 20     | C6170       | A      |
| Jam nut                    | (S) 07  | 24     | C6177       | B      |
| Back box receptacle        | (S) P02 | -      | -           | F      |
| Grounded plug              | (S) 06  | 26     | C6176       | C      |
| Lanyard release            | FBR     | 31     | -           | E      |
| Hermetic Box Mount Rec.    | 02Y     | 21     | -           | -      |
| Hermetic Jam Nut Rec.      | 07Y     | 23     | -           | -      |
| Hermetic Solder Mount Rec. | 1Y      | 25     | -           | -      |

#### Style Chart Series SJT

| Style                      | SJT | PAN | JN1003 | VG96912 |
|----------------------------|-----|-----|--------|---------|
| Wall mount receptacle      | 00  | -   | -      | -       |
| Back wall mount receptacle | 00  | B   | B      | A       |
| Box mount receptacle       | 02  | -   | -      | -       |
| Jam nut                    | 07  | A   | -      | B       |
| Plug                       | 06  | F   | -      | E       |
| Grounded plug              | G06 | FG  | FG     | D       |
| Hermetic Solder Mount Rec. | 1Y  | -   | E      | C       |
| Hermetic Jam Nut Rec.      | 07Y | -   | -      | -       |



**Series Designator**  
1= MIL-C-38999 Series 2  
2= LN 29729

**Style See Chart**

**Shell Size**  
Srs 2 & 5 Even nos 8 to 24

**Alternate Keyway**  
Letters A to D

**Contact Style**  
P= Pin contact  
S= Socket contact

**Insert arrangement**

**Series Designator**  
MIL-C-38999  
G0001 Series 1  
G0002 Series 2  
G0003 Series 3

**Style See Chart**

**Finish G0001/G0003**  
NF= Electroless Nickel  
NW= Olive Drab Cadmium  
NT= Zinc Cobalt  
Omit for G0002

**Shell Size**

**Deviation See Chart**  
Connector  
O= Std on G0001/G0003  
O= Olive Drab (G0002)  
2= Electroless Nickel (G0002)  
1= Olive Drab Zinc Cobalt (G0002)

**Alternate Keyway**  
Letters A to E

**Contact Style**  
M= Pin contact  
F= Socket contact

**Insert arrangement**

Note: All PAN6433 Connectors are olive drab plated

**SN-WITH CONTACTS**  
**JN1034AXXXSNL LESS CONTACTS**  
**JN1034A-F 10 35 SN1 - WITH CONTACTS**

**Series Designator**  
JN1003 = SJT  
JN1034 = TV

**Style See Chart**

**Shell Size**  
SJT even numbers 8-24  
TV odd numbers 9-25

**Contact style**  
P=Pin  
S=Socket

**Insert Arrangement**

**VG96912-A 10 35 S**

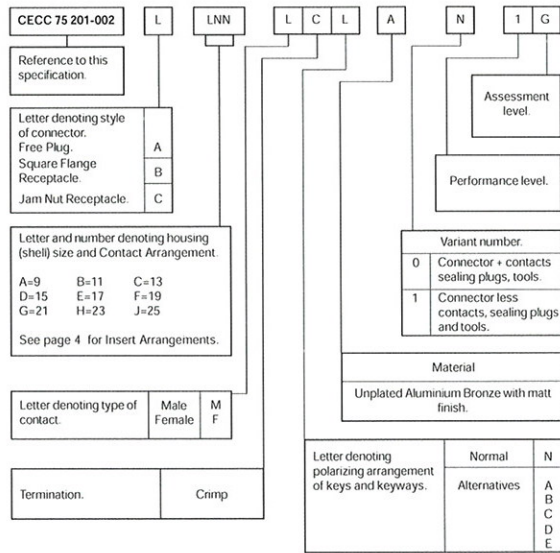
**Series Designator**  
VG96912=SJT

**Style See Chart**

**Shell Size**  
Even numbers 8-24

**Contact style**  
P=Pin  
S=Socket

**Insert Arrangement**



L=Letter N=Number  
Eg. CECC 75 201-002 AB35 MCN AOIG  
Free Plug Size 11, 13 Way, Crimp Pin Contacts, Normal Orientation, Including Contacts, Seal Plugs and Tools  
Performance Level 1, Assessment Level G.

**Deviation List**

| LJT/JT<br>TV/SJT | Description  |
|------------------|--|
| * Blank          | Clear Chromate Plating                             |
| *014             | Olive Drab Cadmium Over Electroless Nickel Plating |
| *023             | Electroless Nickel Plating                         |
| *386             | 014 + Cable Clamp                                  |
| *424             | 023 + Cable Clamp                                  |
| L/C              | Less Contacts                                      |
| *SR              | Clear Chromate + Cable Clamp                       |
| W02              | Drilled & Tapped Square Flange                     |
| W03              | Clear Chromate + Heavy Duty Coupling Ring - LJT    |
| W08              | 014 + Heavy Duty Coupling Ring + Less Contacts     |
| W09              | 014 + Heavy Duty Coupling Ring                     |
| W12              | 023+Heavy Duty Coupling Ring - LJT                 |
| W14              | Snatch Plug-LJT/JT                                 |
| W52              | Olive Drab Zinc Cobalt                             |

\* Applicable to LJT and JT part numbers only

## X-ON Electronics

Largest Supplier of Electrical and Electronic Components

*Click to view similar products for [Circular MIL Spec Connector](#) category:*

*Click to view products by [Amphenol](#) manufacturer:*

Other Similar products are found below :

[0025-262-542](#) [0025-264-3014](#) [58-570121-04S](#) [0134-202-1200](#) [0134-207-1206](#) [0134-207-1800](#) [0134-207-2207](#) [0134-213-0806](#) [0134-213-1007](#) [0134-213-1009](#) [0134-213-1208](#) [0134-213-1800](#) [0134-213-2209](#) [0025-258-000](#) [015-9516-002](#) [60-042722-19P](#) [0114-201-1278](#) [602GB06EG24-61SN](#) [0134-201-1207](#) [0134-201-1806](#) [0134-201-2006](#) [0134-201-2007](#) [0134-201-2010](#) [0134-202-1400](#) [0134-207-0809](#) [0134-207-1208](#) [0134-207-2009](#) [0134-213-1006](#) [6104-207-2302](#) [6104-208-1902](#) [6104-215-0902](#) [6131-202-19149P](#) [6131-204-21149P](#) [6131-207-13149P](#) [6131-208-13149P](#) [6131-209-17149P](#) [6131-210-11149P](#) [6131-211-19149P](#) [6131-216-19149P](#) [6131-220-25149P](#) [6131-259-11149P](#) [6131-259-21149P](#) [6131-259-23149P](#) [6131-263-19149P](#) [6131-265-17149P](#) [6131-265-19149P](#) [CS3102A-20-15P](#) [CS3102A-20-15S](#) [CS3102C18-4P-472](#) [CS3106A-20-29P](#)