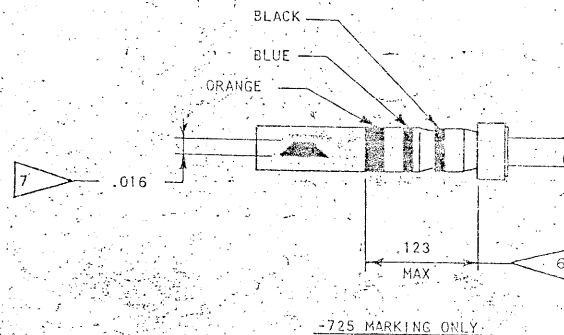


PART NUMBER

LP-251415-72 C

REVISIONS

REV	LET	DESCRIPTION	DATE	APP'D
A		INITIAL RELEASE NUM: 70092-050		
B		(CL II) .166 MIN WAS .240 MIN ECN 2704Z	6-21-93 R. Hobbs	6-25-93 R. Auerbach



8. MEAN SURFACE AREA .0852 SQ. IN.

7. BLACK INK STAMP TRADEMARK, -725 ONLY, 9-6700 TYPE, IV PER 9-7530 IN APPROX POSITION SHOWN, AFTER PLATING AND IDENTIFICATION BANDING; DIRECTION OPTIONAL; TRADEMARK MAY BE SOLID AS SHOWN AND OVERLAP; COLOR BANDS AS SHOWN.

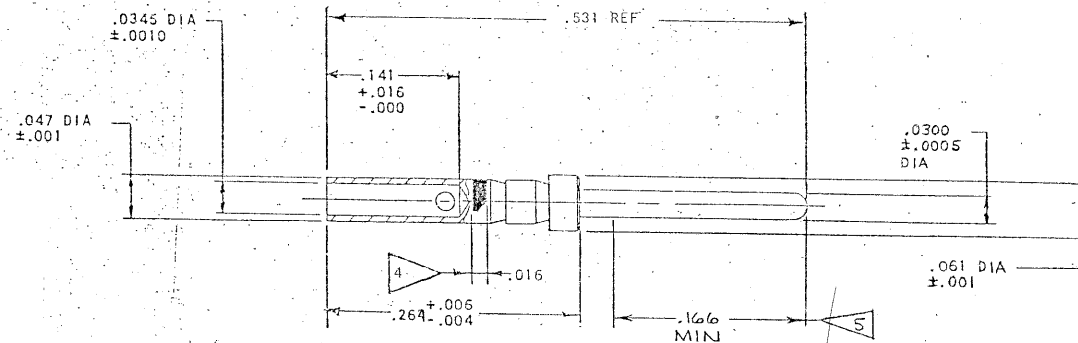
6. PERMANENTLY MARK -725 WITH 3 IDENTIFICATION BANDS ALL AROUND PER 9-7530, AFTER PLATING. THE ORANGE COLOR BAND SHALL BE APPROXIMATELY TWICE THE WIDTH OF THE BLUE & BLACK COLOR BANDS. BANDS MUST BE WITHIN SPECIFIED DIMENSION. COLORS ARE AS INDICATED.

5. LOCALIZED PLATING TO BE IN AREA INDICATED.

4. GREEN INK STAMP TRADEMARK, (EXCEPT -725), 9-6700 TYPE IV PER 9-7530 IN APPROX POSITION SHOWN, AFTER PLATING AND IDENTIFICATION BANDING; DIRECTION OPTIONAL; TRADEMARK MAY BE SOLID AS SHOWN, AND OVERLAP.

3. TO COMPLETE, ADD APPLICABLE SUFFIX DIGIT FOR FINISH:

SUFFIX	OVERALL PLATING (SEE NOTE 8)	FINISH DATA LOCALIZED PLATING (SEE NOTE 5)
5	GOLD PLATE PER 9-8738-5 (PROCEDURE I)	GOLD PLATE PER 9-8738-5 (PROCEDURE II)
F	GOLD PLATE PER 9-8738-F (PROCEDURE I)	GOLD PLATE PER 9-8738-F (PROCEDURE II)



MADE FROM 10-251415-72B

2. PROCESS SPEC:
TEST 9-5272-1

9-6700, 9-8738, 9-7530.

1. -725 MEETS ALL OF THE REQUIREMENTS OF M39029/58.

NOTES

FIND NO.	QTY REQD	CODE IDENT	PART NUMBER	DESCRIPTION	NOTE REF
PARTS LIST					
UNLESS OTHERWISE SPECIFIED			SIGNATURES	DATES	The Bendix Corporation Electrical Components Division Sidney, New York
LINEAR DIMENSIONS ARE IN INCHES. TOLERANCES: .XXX ± .010, XX ± .03, X ± .1, ANGLES ± 2°. OTHER STANDARDS PER 9-3800 AND MIL-D-1020, NOTE REF			PREPARED RATCHFORD	2-7-92	
MATERIAL SPEC			CHECKED RATCHFORD	2/7/92	
PROCESS SPEC SEE NOTE 2			APPROVED RATCHFORD	2/7/92	
			APPROVED Aldaris	2-26-10	
TITLE		CONTACT, PIN, ELECTRICAL CONNECTOR, SIZE 22D, TYPE JT-R			
SIZE	CODE IDENT NO.	LP-251415-72(C)			
C	77820				
SCALE	10/1	WT	SEP	SHEET	TAB.

USE OF THIS DOCUMENT IS UNLIMITED. DOCUMENTS REFERENCED HEREON CONTAIN LIMITED RIGHTS DATA.

NEXT ASSEMBLY

LP-251415-720

X-ON Electronics

Largest Supplier of Electrical and Electronic Components

Click to view similar products for [Circular MIL Spec Contacts](#) category:

Click to view products by [Amphenol](#) manufacturer:

Other Similar products are found below :

[006-1189-20](#) [71-VEAM](#) [809-023](#) [809-111](#) [811393-000](#) [850-014](#) [97-45-1418P-5\(920\)](#) [97-45-1418S-4](#) [D-602-0106CS076](#) [AIC12-14P](#)
[AIC16-16PG](#) [AIC8-12P](#) [AIC8-8SG](#) [AIC8-8SRAD](#) [1495044-1](#) [BACC47CP2T](#) [BACC47CP3S](#) [BACC47DP4](#) [BACC47GC1A](#) [BACC47GN1](#)
[16968/2C](#) [241611N001](#) [2560-220-2031](#) [27915-38T9](#) [27964-38T112](#) [2M809-118](#) [97-67-36-20](#) [AIC12-16P](#) [AIC16-14SG](#) [AIC16-18PG](#)
[AIC16-18S](#) [AIC16-20PG](#) [AIC4-4PG](#) [CE102S-18](#) [M39029/30-221](#) [M39029/77-430](#) [416-2020-088I](#) [MDM-21SH003B-F222](#) [BA-4120-50LD](#)
[BACC47CN2](#) [BACC47GC3A](#) [BACC47GD3A](#) [BACC47GM1](#) [52G137 REV A](#) [CB2-18-21PS](#) [D-602-1116CS2727](#) [D-602-1117CS2727](#) [419-](#)
[2082-102](#) [419-2085-102](#) [419-2087-001](#)