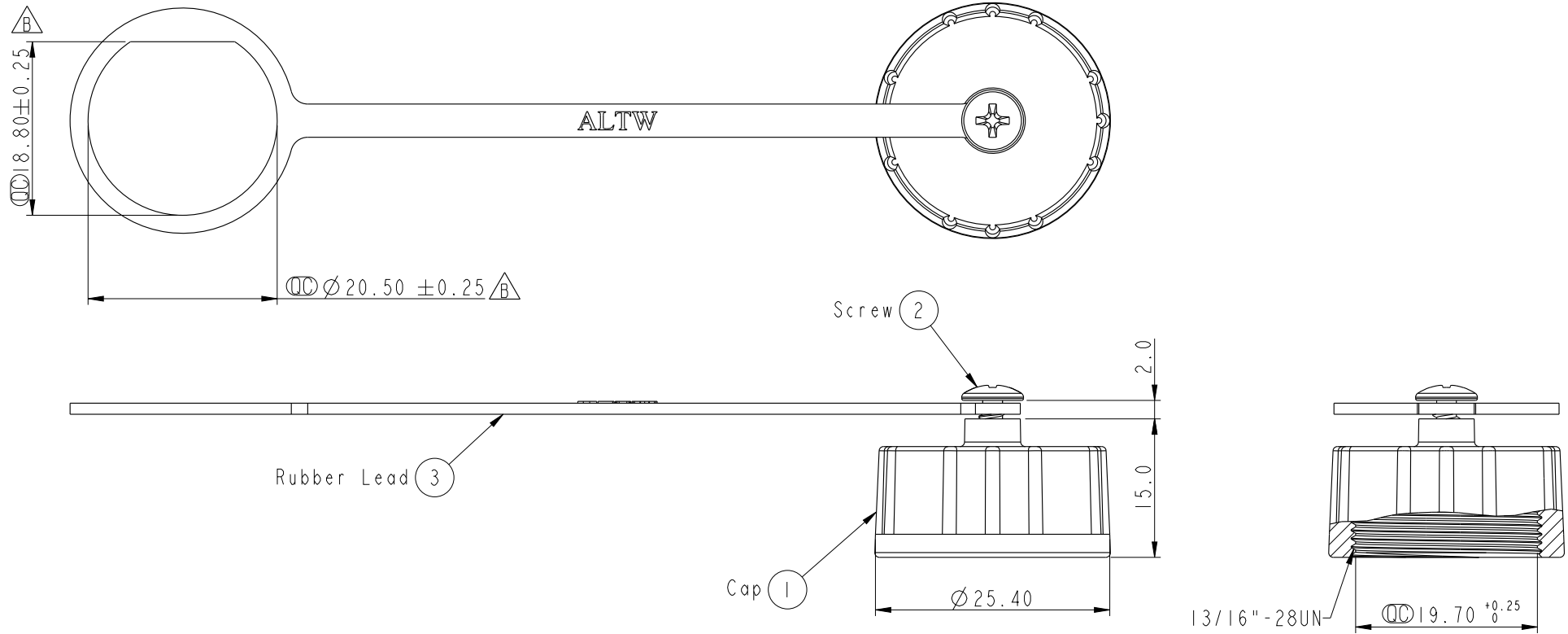




REV.	ECN NO.	DATE	SIGN	DESCRIPTION
B	LE31510470	2015/01/26	Mafei	Change The Chain Material From PVC to TPES.



ALTW
CONFIDENTIAL
 2015-01-26
R&D DEPT.

Note:

- * \varnothing Important Dimension To Check.
- * Waterproof Rate: IP67.
- * Cap: Nylon+GF, Black.
- * Gasket: EPDM, Black.
- * Rubber Lead: TPES, Black.
- * Screw os not allowed to tight(Chain be revolve)
不可將螺絲鎖緊(Rubber Lead要可旋轉)

UNIT: mm	 	TITLE Waterproof Cap For Male Conn. C Size Screw Type			<h1 style="text-align: center;">Amphenol LTW</h1> <p style="text-align: center;">安費諾亮泰企業股份有限公司</p>	ITEM NO	DRAWN BY	DATE
		SCALE 3:2	SIZE A4	SHEET 1 OF 1		CAP-WACMSPC1	Mafei	2015-01-26
TOLERANCE .X ±0.25 .XX ±0.1 .XXX ±0.05 ANGLES ±1°		REV. B	WC-REV. A.3	\varnothing : Inspection item	DWG NO CAP-WACMSPC1	CHECKED BY Arthur	DATE 2015-01-26	
					CUSTOMER ALTW	APPROVED BY Jerry	DATE 2015-01-26	

THIS DOCUMENT IS SUBJECT TO CHANGE WITHOUT NOTICE. IT IS CONFIDENTIAL AND A PROPERTY OF AMPHENOL LTW. DISCLOSURE TO THIRD PARTY HAS TO BE AUTHORIZED BY AMPHENOL LTW.

X-ON Electronics

Largest Supplier of Electrical and Electronic Components

Click to view similar products for [USB Connectors](#) category:

Click to view products by [Amphenol](#) manufacturer:

Other Similar products are found below :

[65-647-8-BK-BU](#) [950](#) [E8144-B01021-L](#) [A-USB A-LP-SMT-C](#) [A-USB B-TOP-C](#) [MUSBA511N5](#) [MUSBD11135](#) [217450-1](#) [CA 6 W LD](#)
[KMBVX-TH-5S-B30](#) [896-30-004-00-000000](#) [KUSBVX-BS1N-W30](#) [KUSBX-AP-KIT-SCBLK](#) [KUSBX-AS2N-W](#) [KUSBX-SMT2AP1S-W](#)
[KUSBX-SMT2AP1S-W30](#) [935](#) [957](#) [30-498-6](#) [17-210051](#) [1734082-1](#) [30-1574](#) [30-470](#) [30-489](#) [30-541](#) [30-572-3](#) [MAB 8 SN V](#) [A-USB A-](#)
[2P-C](#) [MIKROE-1451](#) [USBFTV2PEM2G](#) [USBFTVC6ZN](#) [KUSBX-AS2N-W30](#) [KUSBX-SLAS1N-W](#) [KUSBX-SMT-AS1N-W30](#) [4689-1](#) [1-](#)
[1734084-2](#) [E8110-001-01](#) [MUSBA81130](#) [33UBARS1-04SW11](#) [33UBAR-04SW11](#) [USBF21ZNSCC](#) [USBBFTV6ZC](#) [10135326-001LF](#)
[M9177/3-1](#) [USB-A-S-F-B-VT](#) [925](#) [4198](#) [690-024-633-031](#) [KUSBEX-BSFS1N-W](#) [USBFTVC6MRG](#)