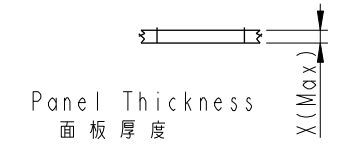
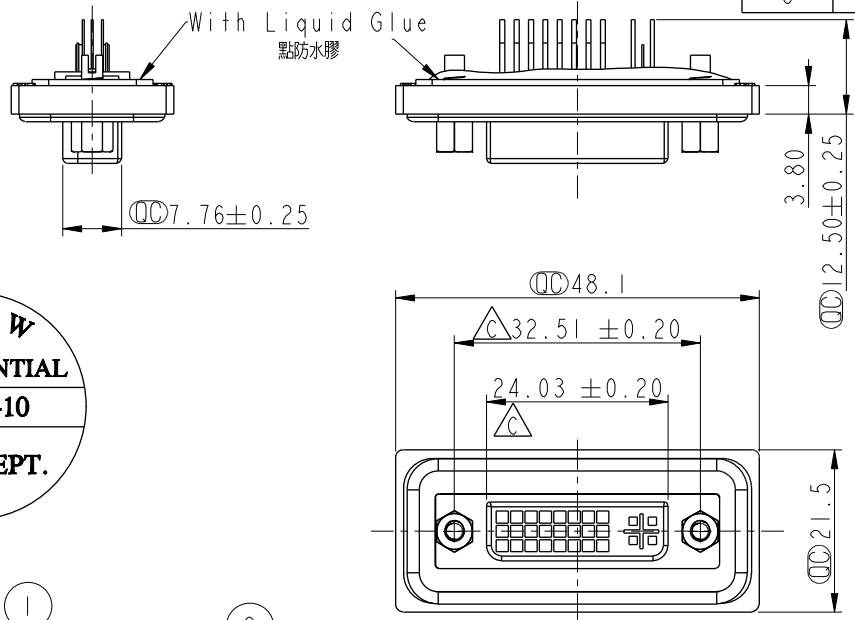


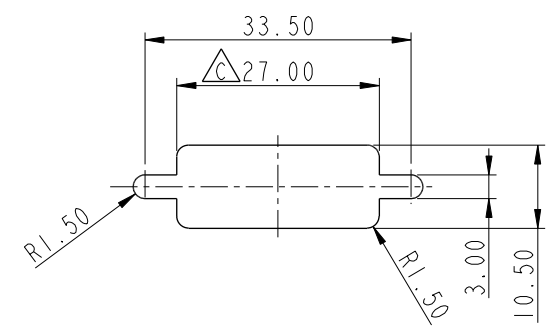
REV.	ECN NO.	DATE	SIGN	DESCRIPTION
A		2005/11/16	DAVID	Released Rev.A
B	LE3-710146	2006/12/13	Gao Ling	Move O-ring to ZSE00100842
C	LEN12C0092	2012/12/10	Ruru	Modify Dimension



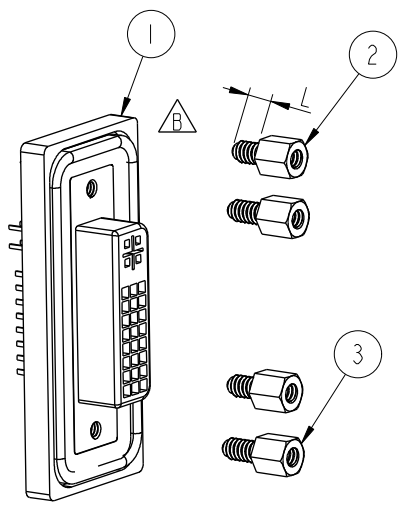
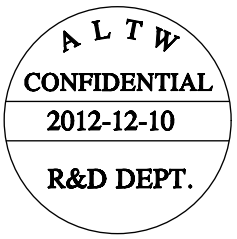
Panel Thickness  
面板厚度

Screw L=5.0 For Panel Thickness  
Under 1.2mm  
適用板厚為 1.2mm 以下

Screw L=6.0 For Panel Thickness  
Between 1.2~2.0mm  
適用板厚為 1.2~2.0mm



Recommended Panel Cut-Out  
建議挖孔尺寸



- Note:
- \*  $\text{CC}$  Important Dimension.
  - \* Waterproof Rate : IP68  
IP68: 1M of depth of water 24 hours  
(防水等級 : IP68)  
(IP68: 1 米水深 24 小時)
  - \* Do Mating Test After Glued  
點膠後, 須作對插測試
  - \* Add glue can't highly exceed pin  
(點膠高度不得蓋過 pin 針)
  - \* DVI Conn. : Black Core , Nylon66
  - \* Plastic Jacket : Black , Nylon+GF
  - \* Pin : Copper Alloy , Gold Plated
  - \* Ring : Light Blue, Silicone
  - \* Screw : Copper Alloy, Nickel Plated, #4-40 UNC

UNIT:mm		TITLE		ITEM NO		DRAWN BY		DATE	
		Female DVI2S Connector(24+5)		DID-29PFFS-SL8001		Ruru		2012-12-19	
TOLERANCE		SCALE	SIZE	SHEET	DWG NO	CHECKED BY	DATE		
.X ±0.25		1:1	A4	1 OF 1	DID-29PFFS-SL8001	Rita	2012-12-19		
.XX ±0.1		REV.	WC-REV.		CUSTOMER	APPROVED BY	DATE		
.XXX ±0.05		C	B.3		ALTW	Maslow	2012-12-19		
ANGLES ±1		$\text{CC}$ : Inspection item							

**Amphenol LTW**  
安費諾亮泰企業股份有限公司

THIS DOCUMENT IS SUBJECT TO CHANGE WITHOUT NOTICE. IT IS CONFIDENTIAL AND A PROPERTY OF Amphenol LTW. DISCLOSURE TO THIRD PARTY HAS TO BE AUTHORIZED BY Amphenol LTW.

## X-ON Electronics

Largest Supplier of Electrical and Electronic Components

*Click to view similar products for [HDMI, Displayport & DVI Connectors](#) category:*

*Click to view products by [Amphenol](#) manufacturer:*

Other Similar products are found below :

[1775247-3](#) [2-1932649-5](#) [30-1231](#) [30-528](#) [2069485-1](#) [30-504](#) [30-519](#) [30-542](#) [47648-2000](#) [2002-400](#) [TC142X](#) [769-103/021-000](#) [1932649-1](#)  
[233-368NFG6-17NH](#) [PJ-210A](#) [PJ-35825](#) [6321-026RDS1MWA02](#) [DV11201-H5R6-4F](#) [RPI-16337](#) [CC-MDPM-VGAM-6](#) [RPI-16338](#) [CCB-](#)  
[HDMIL-1.5M](#) [CCB-HDMIL-1M](#) [CCB-HDMIL-2M](#) [CCB-HDMIL-3M](#) [CCB-HDMIL-5M](#) [CCB-HDMIL-7.5M](#) [CCBP-HDMI-10M](#) [CCBP-](#)  
[HDMI-1M](#) [CCBP-HDMI-2M](#) [CCBP-HDMI-3M](#) [CCBP-HDMI-5M](#) [CCBP-HDMI-7.5M](#) [CCBP-HDMI8K-1M](#) [CCBP-HDMI8K-2M](#) [CCBP-](#)  
[HDMI8K-3M](#) [AK-AV-02](#) [AK-AV-03](#) [AK-AV-05](#) [AK-AV-11](#) [AK-AV-13](#) [AK-AV-15](#) [CCP-MDP2-6](#) [CCP-MDPMDP2-6](#) [AK-HD-05A](#) [AK-](#)  
[HD-100A](#) [AK-HD-100P](#) [AK-HD-15A](#) [AK-HD-15P](#) [AK-HD-15R](#)