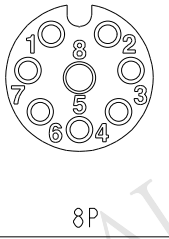
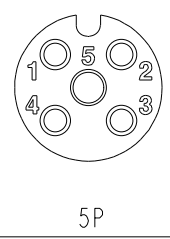
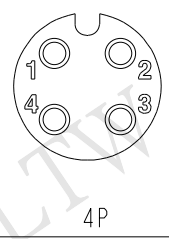
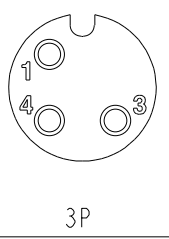
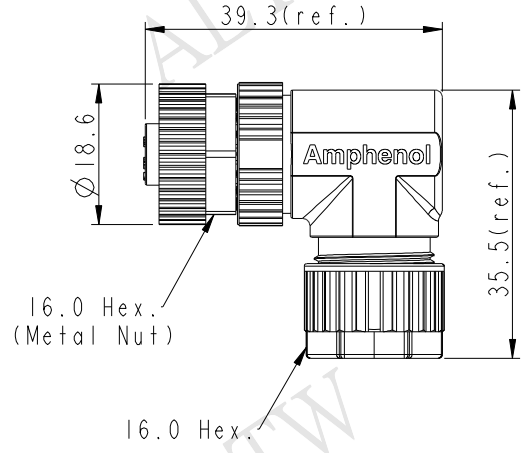
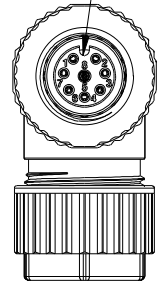
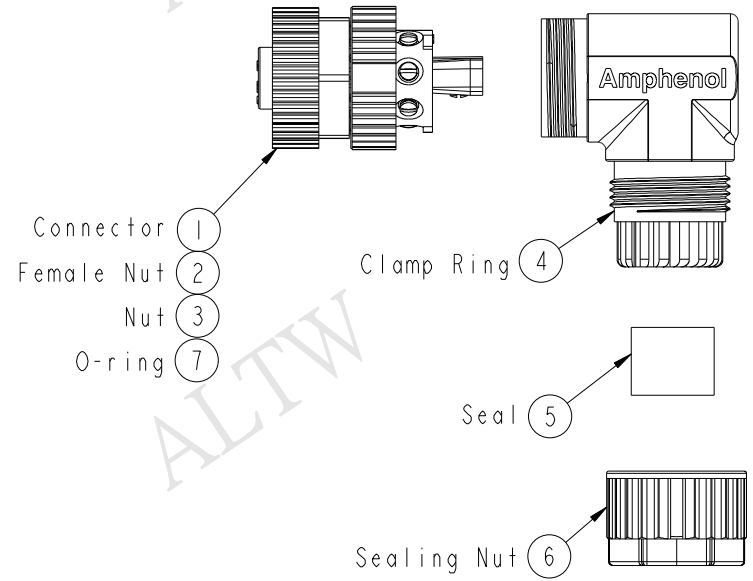


ALTW
CONFIDENTIAL
2015-09-29
R&D DEPT.

REV.	ECN NO.	DATE	SIGN	DESCRIPTION

360° Adjustable Key Code Direction



Pin Assignments Front View

UNIT:mm	
TOLERANCE	±0.5mm

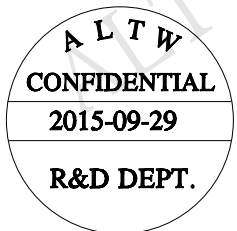
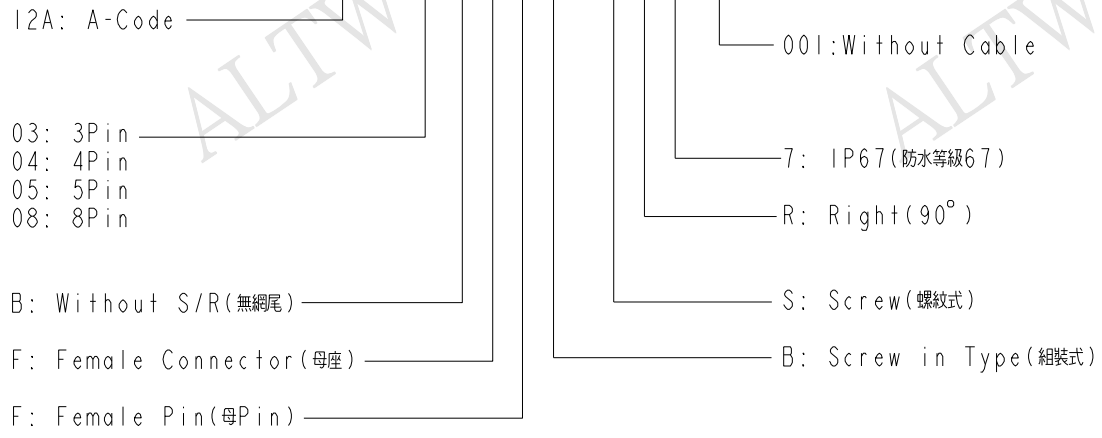
TITLE M12 A-Code 90° Assy F Conn. F Pin			
SCALE 1:1	SIZE A4	SHEET 1 OF 2	
REV. A	WC-REV. A.2	QC: Inspection item	

Amphenol LTW
 安費諾亮泰企業股份有限公司

ITEM NO	DRAWN BY Mila	DATE 2015-09-29
DWG NO M12A-XXBFFB-SR7001	CHECKED BY Cary	DATE 2015-09-29
CUSTOMER ALTW	APPROVED BY Jerry	DATE 2015-09-29

THIS DOCUMENT IS SUBJECT TO CHANGE WITHOUT NOTICE. IT IS CONFIDENTIAL AND A PROPERTY OF Amphenol LTW. DISCLOSURE TO THIRD PARTY HAS TO BE AUTHORIZED BY Amphenol LTW.

M 12A - XX B F F B - S R 7 001



- Note:
- * \varnothing Important Dimension To Check.
 - * Waterproof Rate: IP67
 - * Housing: Nylon, Black
 - * Clamp Cage: Nylon, Black
 - * Female Pin: Copper Alloy, Gold Plated
 - * Female Nut: Zinc Alloy, Nickel Plated
 - * Nut: Zinc Alloy, Nickel Plated
 - * O-Ring: Silicon, Grey
 - * Clamp Ring: Nylon, Black
 - * Sealing Nut: PBT+PC, Black
 - * Seal: Silicon, Grey
 - * Seal For Cable OD: $\varnothing 4.0\text{mm} \sim \varnothing 7.0\text{mm}$
 - * Screws for Wire connection recommended tightening torque: $0.61 \sim 0.84 \text{ kgf.cm} / 0.059 \sim 0.082 \text{ N.m}$
 - * Applicable Wire gauge (Stranded wire cross section) $0.14\text{mm}^2 (26\text{AWG}) \sim 0.82\text{mm}^2 (18\text{AWG})$
 - * Mating Recommended tightening torque: $3 \sim 4 \text{ kgf.cm} / 0.29 \sim 0.39 \text{ N.m}$
 - * Sealing-Nut Recommended tightening torque: $4 \sim 6 \text{ kgf.cm} / 0.39 \sim 0.59 \text{ N.m}$
 - * Detailed applicable wire specifications may vary depending on the actual wire construction.

UNIT: mm		
TOLERANCE		
±0.5mm		

TITLE M12 A-Code 90° Assy F Conn. F Pin			
SCALE 1:1	SIZE A4	SHEET 2 OF 2	
REV. A	WC-REV. A.2	\varnothing : Inspection item	

Amphenol LTW
安費諾亮泰企業股份有限公司

ITEM NO	DRAWN BY Mila	DATE 2015-09-29
DWG NO M12A-XXBFFB-SR7001	CHECKED BY Cary	DATE 2015-09-29
CUSTOMER ALTW	APPROVED BY Jerry	DATE 2015-09-29

X-ON Electronics

Largest Supplier of Electrical and Electronic Components

Click to view similar products for [Sensor Cables / Actuator Cables](#) category:

Click to view products by [Amphenol](#) manufacturer:

Other Similar products are found below :

[60963](#) [60964](#) [M83513/19-F01CP](#) [703000D02F2002](#) [703001D02F0602](#) [703001D02F300](#) [704000D02F120](#) [773032K02F030](#) [802027107404-1](#)
[802027213811-1](#) [804001A09M150](#) [805001A09M0502](#) [84914-0235](#) [84914-0237](#) [885030A09M020](#) [8R4J30E03C3003](#) [1200651332](#)
[1200651713](#) [1200660844](#) [1200660845](#) [1200661173](#) [1200680071](#) [1200720053](#) [1200720081](#) [1200720099](#) [1200720217](#) [1200800231](#)
[1200860125](#) [1200870123](#) [1200980102](#) [1200650267](#) [1200650298](#) [1200660183](#) [1200660782](#) [1200660849](#) [1200661295](#) [1200661297](#)
[1200661342](#) [1200661343](#) [1200670080](#) [1200670220](#) [1200680331](#) [1200720252](#) [1200730184](#) [1200860344](#) [1200870359](#) [1200870643](#)
[1200980008](#) [1200980031](#) [1210502211](#)