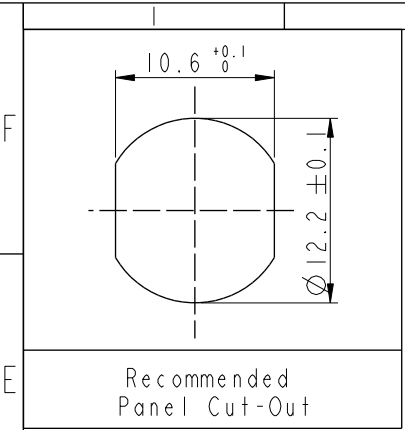
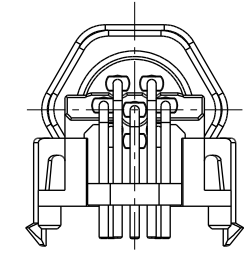
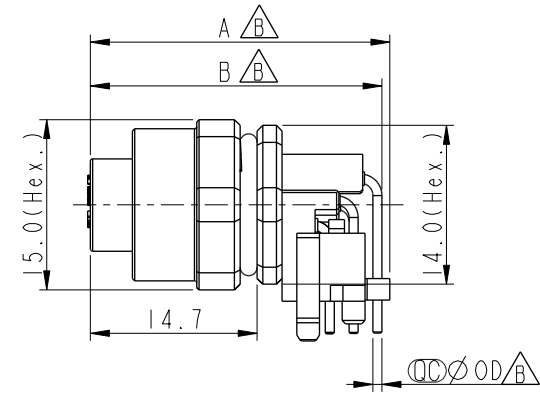
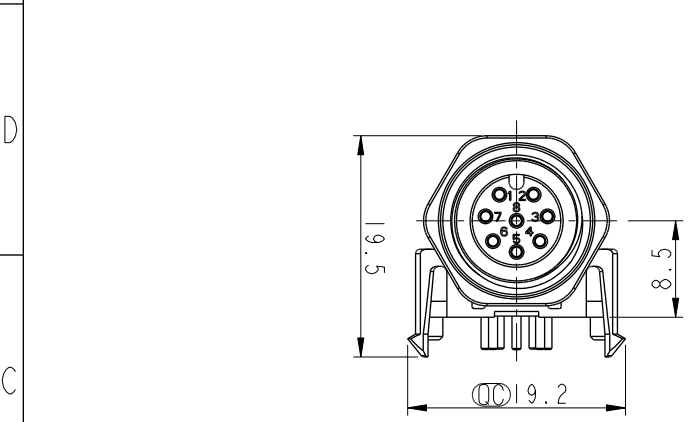
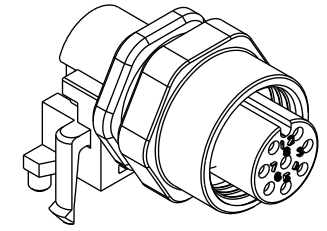
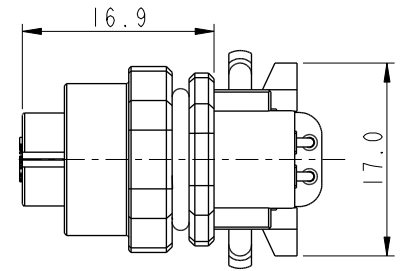


THIS DOCUMENT IS SUBJECT TO CHANGE WITHOUT NOTICE. IT IS CONFIDENTIAL AND A PROPERTY OF Amphenol LTW. DISCLOSURE TO THIRD PARTY HAS TO BE AUTHORIZED BY Amphenol LTW.

REV.	ECN NO.	DATE	SIGN	DESCRIPTION
B	C190510	2019-03-21	Su Nan	Add The Size Table
C	C200275	2020-03-12	Nan_Su	$\triangle C$ X1
D	C210309	2021-02-23	Ruru	$\triangle D$ X4

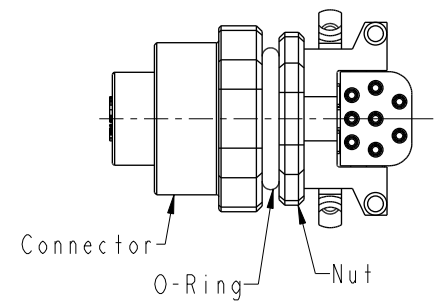


$\triangle D$
M12A-XXPFFR-SF7003
XX: No. Of Pin

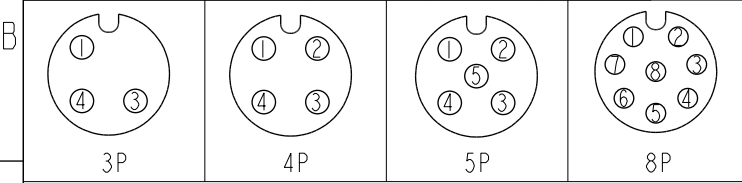


M12A-03PFFR-SF7003	26.6	25.5	1.0
M12A-04PFFR-SF7003	26.6	25.5	1.0
M12A-05PFFR-SF7003	26.6	25.5	1.0
M12A-08PFFR-SF7003	26.4	25.7	0.8
Item No.	A	B	OD

$\triangle B$



$\triangle D$
Note:
 * RoHS Compliant
 * ⌀ Important dimension
 * Waterproof rate: IPX7, mated
 * Connector
 Housing: Thermoplastic, Black
 Pin: Copper alloy, Gold plated
 O-Ring1: Rubber, Black
 O-Ring2: Rubber, Gray
 Nut: Metal
 * Nut: Metal
 * O-Ring: Rubber, Gray
 * For panel thickness max: 3.0mm
 $\triangle C$ * For pcb thickness max: 1.6mm
 * O-Ring and nut are assembled on connectors



Pin Assignment Front View

UNIT: mm		TITLE	
TOLERANCE	± 0.25 ± 0.1 ± 0.05 $\pm 1^\circ$	N SEN, M12 A, SCREW RECEPTACLE, F, F, PCB R $\triangle D$	
SCALE	3:2	SIZE	A4
REV.	D	SHEET	1 OF 2
WC-REV.	.0	⌀ : Inspection item	

Amphenol LTW
安費諾亮泰企業股份有限公司

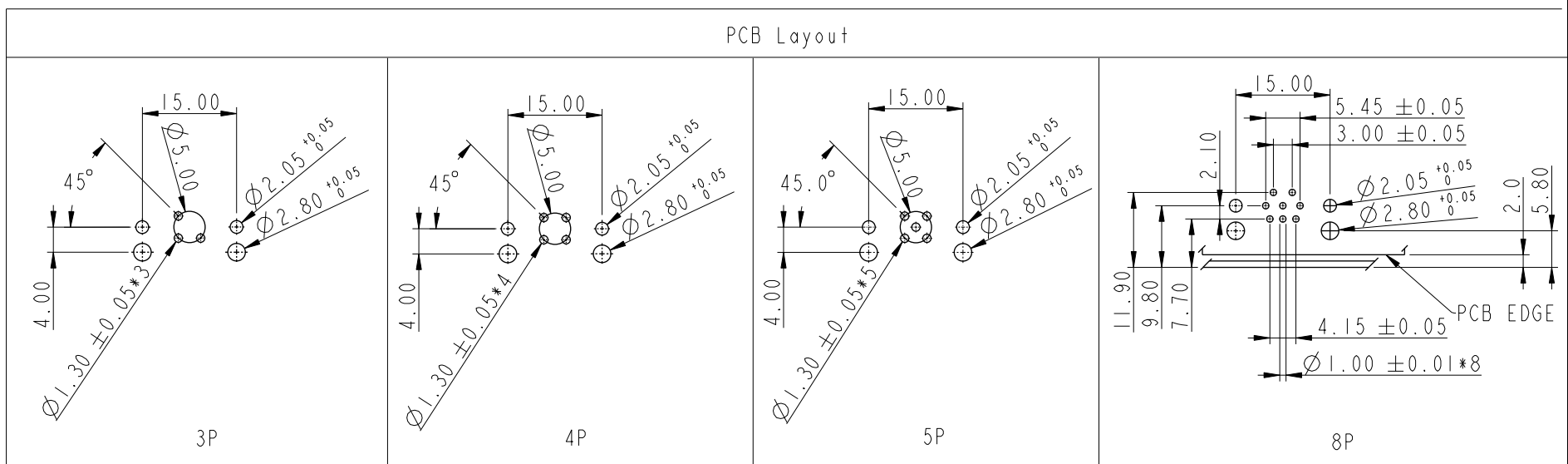
ITEM NO.	DWG NO.	CUSTOMER	DRAWN BY	CHECKED BY	APPROVED BY	DATE
	M12A-XXPFFR-SF7003	ALTW	Su Nan	Feng	Jerry	2019-03-21

THIS DOCUMENT IS SUBJECT TO CHANGE WITHOUT NOTICE. IT IS CONFIDENTIAL AND A PROPERTY OF Amphenol LTW. DISCLOSURE TO THIRD PARTY HAS TO BE AUTHORIZED BY Amphenol LTW.

1 2 3 4 5 6 7 8

F
E
D
C
B
A

PCB Layout



UNIT: mm		TITLE N SEN, M12 A, SCREW RECEPTACLE, F, F, PCB R	
TOLERANCE		SCALE	3:2
.X	±0.25	SIZE	A4
.XX	±0.1	SHEET	2 OF 2
.XXX	±0.05	REV.	D
ANGLES	±1°	WC-REV.	.0
		☉: Inspection item	

Amphenol LTW
安費諾亮泰企業股份有限公司

ITEM NO	DRAWN BY	DATE
DWG NO	Su Nan	2019-03-21
M12A-XXPFFR-SF7003	CHECKED BY	DATE
CUSTOMER	Feng	2019-03-21
ALTW	APPROVED BY	DATE
	Jerry	2019-03-21

X-ON Electronics

Largest Supplier of Electrical and Electronic Components

Click to view similar products for [Sensor Cables / Actuator Cables](#) category:

Click to view products by [Amphenol](#) manufacturer:

Other Similar products are found below :

[60963](#) [60964](#) [703000D02F2002](#) [703001D02F0602](#) [703001D02F300](#) [704000D02F120](#) [773032K02F030](#) [802027107404-1](#) [802027213811-1](#)
[804001A09M150](#) [805001A09M0502](#) [84914-0235](#) [84914-0237](#) [885030A09M020](#) [8R4J30E03C3003](#) [1200651332](#) [1200651713](#) [1200660844](#)
[1200660845](#) [1200661173](#) [1200680071](#) [1200720053](#) [1200720081](#) [1200720099](#) [1200720217](#) [1200800231](#) [1200860125](#) [1200870123](#)
[1200980102](#) [1200650267](#) [1200650298](#) [1200660183](#) [1200660782](#) [1200660849](#) [1200661295](#) [1200661297](#) [1200661342](#) [1200661343](#)
[1200670080](#) [1200670220](#) [1200680331](#) [1200720252](#) [1200730184](#) [1200860344](#) [1200870359](#) [1200870643](#) [1200980008](#) [1200980031](#)
[1210502211](#) [1210400542](#)