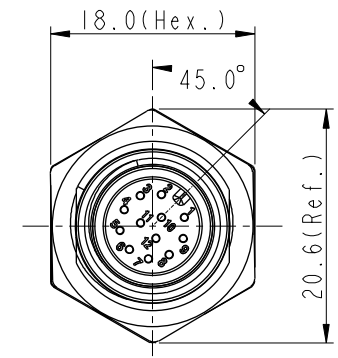
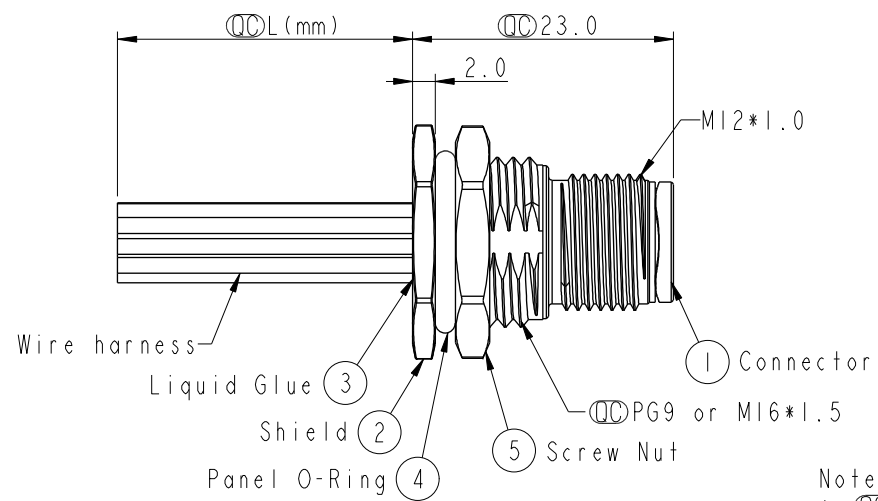
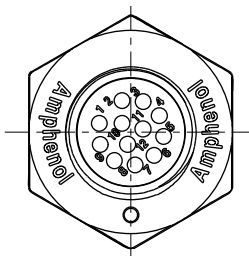


THIS DOCUMENT IS SUBJECT TO CHANGE WITHOUT NOTICE. IT IS CONFIDENTIAL AND A PROPERTY OF Amphenol LTW. DISCLOSURE TO THIRD PARTY HAS TO BE AUTHORIZED BY Amphenol LTW.

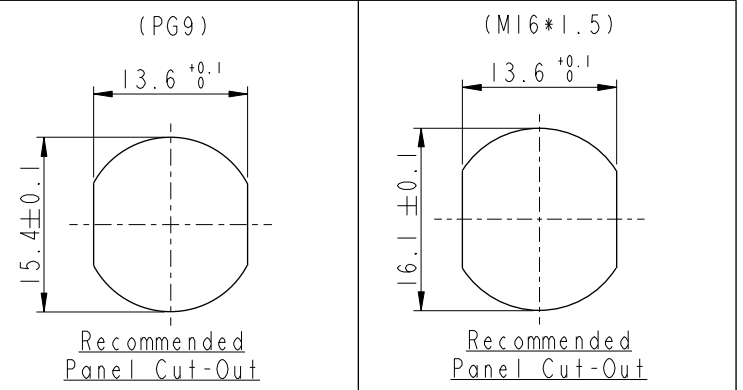
REV.	ECN NO.	DATE	SIGN	DESCRIPTION
B	LE31570252-261	2015/07/23	Yulong_wang	Change to Share Drawing.
C	LEN1680569-580 LEN1680598-603	2016/08/08	Yulong_wang	Add 6Pin & IP69K.
D	E191630	2019/09/19	Ruru	Update Wire Tolerance

△



A L T W
CONFIDENTIAL
2019-09-19
R&D DEPT.

- Notes:
- * (QC) Important Dimension.
 - △ * Waterproof Rate: IP68, IP69K.
 - * Connector: Nylon+GF, Black.
 - * Male Pin: Copper Alloy, Gold Plated.
 - * Shield: Zinc Alloy, Nickel Plated.
 - * Screw Nut: Zinc Alloy, Nickel Plated.
 - * Panel O-Ring: Viton, Black.
 - * Wire harness: ULI061
 - * Rated Voltage: 3 & 4Pin 250V dc. or ac.
5Pin 60V dc. or ac.
6~12Pin 30V dc. or ac.
 - * Rated Current: 3~5Pin 4A
6~8Pin 2A
10~12Pin 1.5A
 - * Operating Temperature: -25~85°C
 - * For Panel Thickness Max 4.5mm.
 - * Nut Torque: 4~6 Kgf.cm.
 - △ * Wire harness Tolerance: 150~300±15mm
301~1000±20mm
Over1000 ±50/-0mm



UNIT: mm		
TOLERANCE		
.X	±0.25	
.XX	±0.1	
.XXX	±0.05	
ANGLES	±1°	

TITLE M12 A-Code Male Conn. Panel Front With Wire harness		
SCALE 3:2	SIZE A4	SHEET 1 OF 2
REV. D	WC-REV. A.3	(QC): Inspection item

Amphenol LTW
安費諾亮泰企業股份有限公司

ITEM NO	DRAWN BY Ruru	DATE 2019-09-19
DWG NO M12A-XXPMX-SF8XXX	CHECKED BY Rita	DATE 2019-09-19
CUSTOMER ALTW	APPROVED BY Max	DATE 2019-09-19

THIS DOCUMENT IS SUBJECT TO CHANGE WITHOUT NOTICE. IT IS CONFIDENTIAL AND A PROPERTY OF Amphenol LTW. DISCLOSURE TO THIRD PARTY HAS TO BE AUTHORIZED BY Amphenol LTW.

12A:A-Code

03: 3Pin
04: 4Pin
05: 5Pin
06: 6Pin

08: 8Pin
10: 10Pin
12: 12Pin

P: Panel (板端)
M: Male Connector (公座)
M: Male Pin (公Pin)
C: Crimp Type (打端式)
S: Solder Type (焊接式)

M 12A - XX P M M X - S F 8 X XX

15: 150mm
20: 200mm
95: 950mm
Cable Pitch Unit=50mm

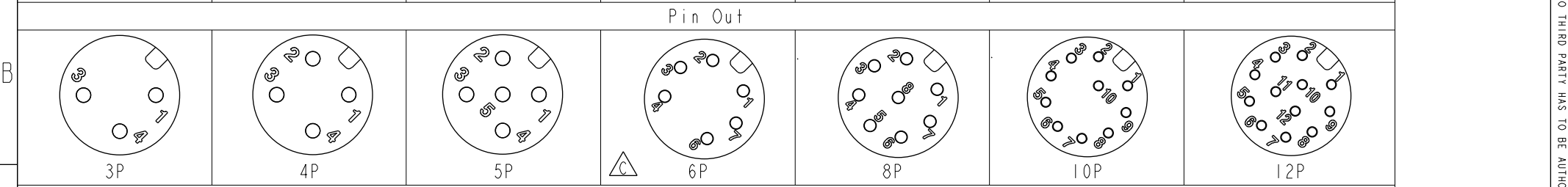
A0: 1000mm
A5: 1500mm
Cable Pitch Unit=100mm
Wire Length (L): 150~1500 mm

B: PG9
C: M16*1.5
8: IP68/69K (防水等級68/69K)

F: Front Fasten (前鑄式/Enclosure Rear Mount)
S: Screw (螺紋式)

12P	UL1061	26	M12A-12PMMS-SF8CXX	
10P			M12A-10PMMS-SF8CXX	
8P			24	M12A-08PMMS-SF8CXX
6P				M12A-06PMMS-SF8CXX
5P			22	M12A-05PMMC-SF8CXX
4P				M12A-04PMMC-SF8CXX
3P		26	M12A-03PMMC-SF8CXX	
12P			M12A-12PMMS-SF8BXX	
10P			M12A-10PMMS-SF8BXX	
8P			24	M12A-08PMMS-SF8BXX
6P				M12A-06PMMS-SF8BXX
5P			22	M12A-05PMMC-SF8BXX
4P	M12A-04PMMC-SF8BXX			
3P	M12A-03PMMC-SF8BXX			

Pin #	Wire	Pin #	Wire	Pin #	Wire	Pin #	Wire	Pin #	Wire	Pin #	Wire	Pin #	Wire	Pin #	Wire						
5	--	5	--	5	Gray 灰	5	Gray 灰	5	Gray 灰	5	Gray 灰	5	Gray 灰	5	Gray 灰	5	Gray 灰				
4	Black 黑	4	Black 黑	4	Black 黑	4	Black 黑	4	Yellow 黃	4	Yellow 黃	4	Yellow 黃	4	Yellow 黃	4	Yellow 黃	4	Yellow 黃		
3	Blue 藍	3	Blue 藍	3	Blue 藍	3	Blue 藍	3	Green 綠	3	Green 綠	3	Green 綠	3	Green 綠	3	Green 綠	3	Green 綠		
2	--	2	White 白	2	White 白	2	White 白	2	Brown 棕	2	Brown 棕	2	Brown 棕	2	Brown 棕	2	Brown 棕	2	Brown 棕	2	Brown 棕
1	Brown 棕	1	Brown 棕	1	Brown 棕	1	Brown 棕	1	White 白	1	White 白	1	White 白	1	White 白	1	White 白	1	White 白	1	White 白



Pin Assignments Front View

UNIT: mm		TITLE M12 A-Code Male Conn. Panel Front With Wire harness	Amphenol LTW 安費諾亮泰企業股份有限公司	ITEM NO	DRAWN BY Ruru	DATE 2019-09-19
TOLERANCE .X ±0.25 .XX ±0.1 .XXX ±0.05 ANGLES ±1°	SCALE 3:2	SIZE A4	SHEET 2 OF 2	DWG NO M12A-XXPMMX-SF8XXX	CHECKED BY Rita	DATE 2019-09-19
REV. D	WC-REV. A.3	QC: Inspection item		CUSTOMER ALTW	APPROVED BY Max	DATE 2019-09-19

X-ON Electronics

Largest Supplier of Electrical and Electronic Components

Click to view similar products for [Sensor Cables / Actuator Cables](#) category:

Click to view products by [Amphenol](#) manufacturer:

Other Similar products are found below :

[60963](#) [60964](#) [M83513/19-F01CP](#) [703000D02F2002](#) [703001D02F0602](#) [703001D02F300](#) [704000D02F120](#) [773032K02F030](#) [802027107404-1](#)
[802027213811-1](#) [804001A09M150](#) [805001A09M0502](#) [84914-0235](#) [84914-0237](#) [885030A09M020](#) [8R4J30E03C3003](#) [1200651332](#)
[1200651713](#) [1200660844](#) [1200660845](#) [1200661173](#) [1200680071](#) [1200720053](#) [1200720081](#) [1200720099](#) [1200720217](#) [1200800231](#)
[1200860125](#) [1200870123](#) [1200980102](#) [1200650267](#) [1200650298](#) [1200660183](#) [1200660782](#) [1200660849](#) [1200661295](#) [1200661297](#)
[1200661342](#) [1200661343](#) [1200670080](#) [1200670220](#) [1200680331](#) [1200720252](#) [1200730184](#) [1200860344](#) [1200870359](#) [1200870643](#)
[1200980008](#) [1200980031](#) [1210502211](#)