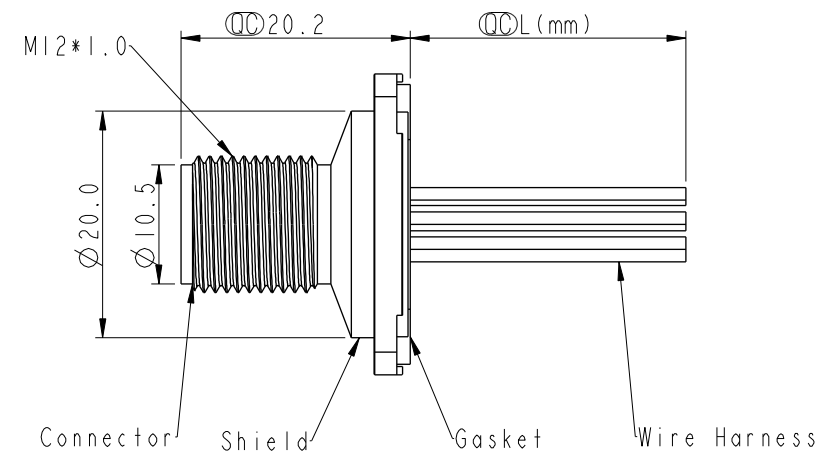
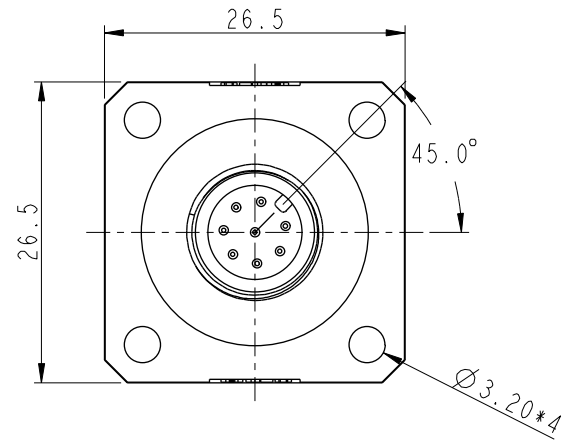
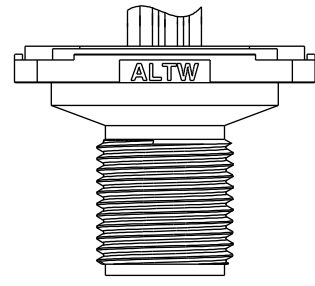


THIS DOCUMENT IS SUBJECT TO CHANGE WITHOUT NOTICE. IT IS CONFIDENTIAL AND A PROPERTY OF Amphenol LTW. DISCLOSURE TO THIRD PARTY HAS TO BE AUTHORIZED BY Amphenol LTW.

REV.	ECN NO.	DATE	SIGN	DESCRIPTION
A		2022-07-08	Jiahe Lin	Rev.03 To Rev.A



M12A-XXPMMS-SS8EXX
 XX: No. Of Pin
 15: 150mm
 20: 200mm
 .
 95: 950mm
 Cable Pitch Unit=50mm
 A0: 1000mm
 .
 A5: 1500mm
 Cable Pitch Unit=100mm
 Wire Length (L): 150~1500 mm

- Note:
- * RoHS Compliant
 - * \varnothing Important dimension
 - * Waterproof rate: IPX8, unmated 1m/24h
 - * Connector
 - Housing: Thermoplastic, Black
 - Pin: Copper alloy, Gold plated
 - * Shield: Metal
 - * Gasket: Rubber, Dark Gray
 - * Wire: UL1061
 - * Wire harness tolerance:
 - 100mm < L ≤ 300mm: ±15mm
 - 300mm < L ≤ 1000mm: ±20mm
 - 1000mm < L ≤ 1500mm: +50/-0mm

UNIT: mm	 	TITLE		ITEM NO		DRAWN BY		DATE	
		N SEN, M12 A, SCREW		M12A-XXPMMS-SS8EXX		Jiahe Lin		2022-07-08	
		SCALE 2:1		SIZE A4		SHEET 1 OF 2		CHECKED BY Allen Pan	
TOLERANCE		REV. A		WC-REV. A.6		APPROVED BY Fred Lee		DATE 2022-07-08	
.X ±0.25		A		Inspection item		CUSTOMER ALTW		W10814-03-01A2	
.XX ±0.1									
.XXX ±0.05									
ANGLES ±1°									

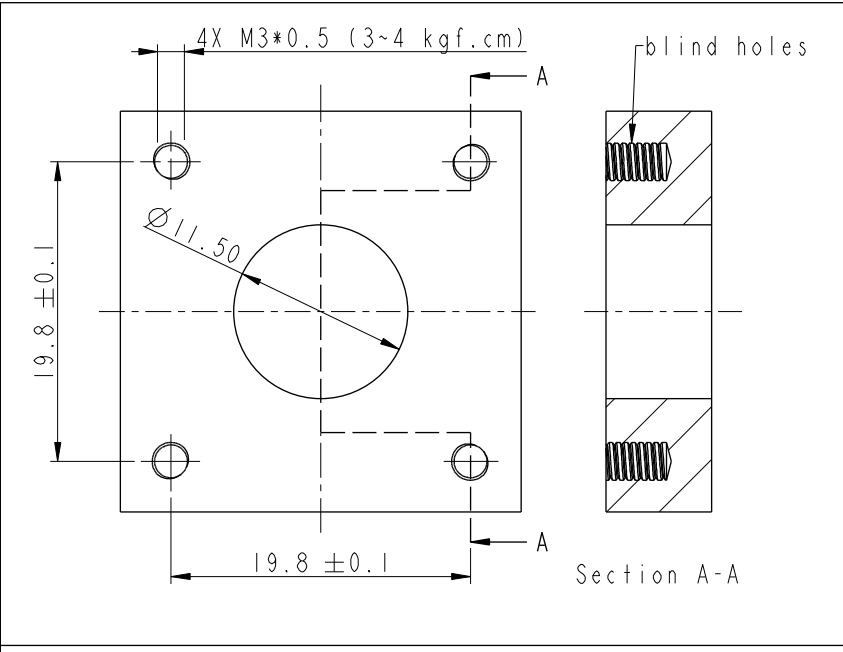
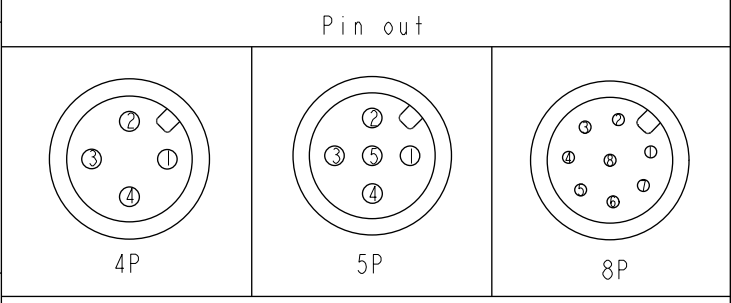
Amphenol LTW
 安費諾亮泰企業股份有限公司

THIS DOCUMENT IS SUBJECT TO CHANGE WITHOUT NOTICE. IT IS CONFIDENTIAL AND A PROPERTY OF Amphenol LTW. DISCLOSURE TO THIRD PARTY HAS TO BE AUTHORIZED BY Amphenol LTW.

8P	24	MI2A-08PMMS-SS8EXX
5P	22	MI2A-05PMMS-SS8EXX
4P		MI2A-04PMMS-SS8EXX
Contacts	AWG	Item No.

F
E
D
C
B
A

4	Black	黑	5	Gray	灰	8	Red	紅
3	Blue	藍	4	Black	黑	7	Blue	藍
2	White	白	3	Blue	藍	6	Pink	粉
1	Brown	棕	2	White	白	5	Gray	灰
			1	Brown	棕	4	Yellow	黃
						3	Green	綠
						2	Brown	棕
						1	White	白
Pin #	Wire		Pin #	Wire		Pin #	Wire	



Pin Assignment Front View

Recommended Panel Cut-Out

UNIT: mm		TITLE		ITEM NO		DRAWN BY		DATE	
		N SEN, M12 A, SCREW		MI2A-XXPMMS-SS8EXX		Jiahe Lin		2022-07-08	
		SCALE	SIZE	SHEET	CUSTOMER	APPROVED BY	DATE		
TOLERANCE .X ±0.25 .XX ±0.1 .XXX ±0.05 ANGLES ±1°	2:1	A4	2 OF 2	ALTW	Fred Lee	2022-07-08			
	REV. A	WC-REV. A.6	QC: Inspection item	Amphenol LTW 安費諾亮泰企業股份有限公司					

X-ON Electronics

Largest Supplier of Electrical and Electronic Components

Click to view similar products for [Circular Metric Connectors](#) category:

Click to view products by [Amphenol](#) manufacturer:

Other Similar products are found below :

[600X518037X](#) [MA1EAF1200](#) [6STD15PCR99B70A](#) [8R4000A16M020](#) [8R4A00A18M020](#) [8R5000A16M005](#) [1200910008](#) [1200910011](#)
[1300140094](#) [130203-0054](#) [1300150099](#) [RF-12S1N8A90DU](#) [1-3637-600-5205](#) [1612618](#) [8R4006A16M010](#) [8R5006A18A120](#) [1604232](#)
[1R3006A20M005](#) [RF-12P1N8A80DU](#) [RF-12P1N8A90DU](#) [41-01016](#) [41-40011](#) [41-40017](#) [42-01015](#) [4-22279-4](#) [4-22281-1](#) [4-22284-9](#) [43-](#)
[00002](#) [43-01166](#) [41-40005](#) [41-40016](#) [43-00161](#) [43-01191](#) [XS3P-M421-2](#) [600X518050X](#) [SACC-DSI-FS-5P-PG9-L180 SC](#) [8R4006A16A120](#)
[8R4000A16M010](#) [RKC 50/16](#) [1R3004A20A1201](#) [6-22279-3](#) [N03FA03144](#) [1300140077](#) [XS8A-0441](#) [859RD04-103R004](#) [860RD04-113R004](#)
[860RD04-213R004](#) [860-X08-213R004](#) [1-213245-2](#) [2273142-2](#)