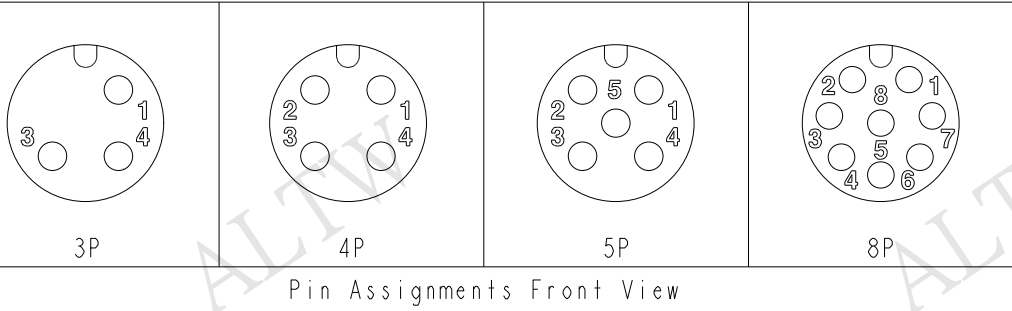
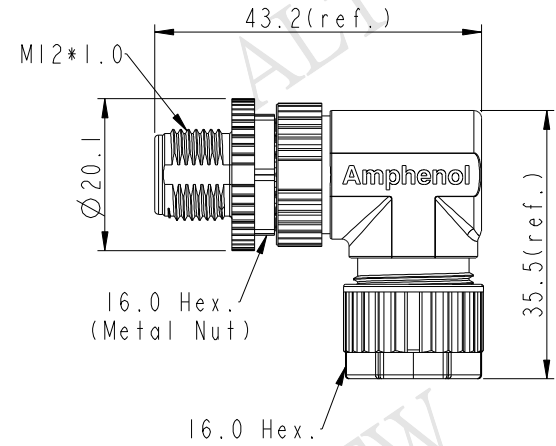
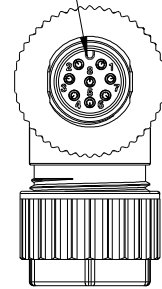
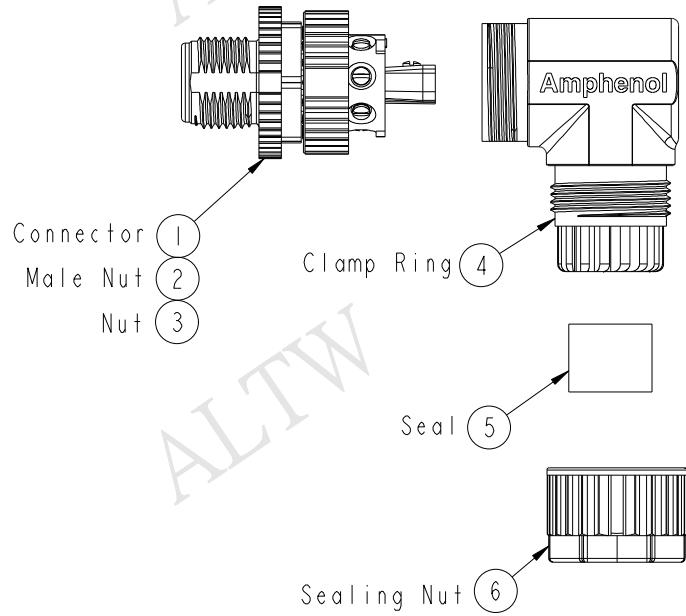


ALTW
CONFIDENTIAL
 2015-09-29
 R&D DEPT.

REV.	ECN NO.	DATE	SIGN	DESCRIPTION

360° Adjustable Key Code Direction



UNIT: mm TOLERANCE ±0.5mm	TITLE M12 A-code 90° Assy M Conn. M Pin		Amphenol LTW 安費諾亮泰企業股份有限公司		ITEM NO	DRAWN BY Mila	DATE 2015-09-29	
	SCALE 1:1	SIZE A4			SHEET 1 OF 2	DWG NO M12A-XXBMMB-SR7001	CHECKED BY Cary	DATE 2015-09-29
	REV. A	WC-REV. A.2			QC: Inspection item	CUSTOMER ALTW	APPROVED BY Jerry	DATE 2015-09-29

THIS DOCUMENT IS SUBJECT TO CHANGE WITHOUT NOTICE. IT IS CONFIDENTIAL AND A PROPERTY OF Amphenol LTW. DISCLOSURE TO THIRD PARTY HAS TO BE AUTHORIZED BY Amphenol LTW.

F

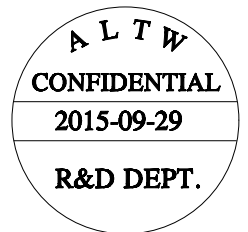
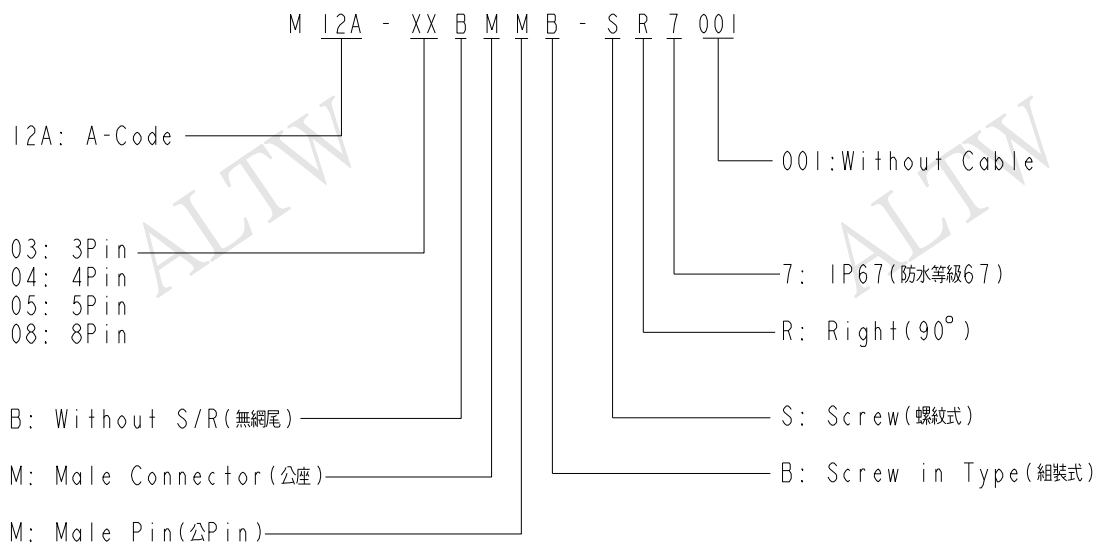
E

D

C

B

A



- Note:
- * \varnothing Important Dimension To Check.
 - * Waterproof Rate: IP67
 - * Housing: Nylon,Black
 - * Male Pin: Copper Alloy, Gold Plated
 - * Male Nut: Zinc Alloy, Nickel Plated
 - * Nut: Zinc Alloy, Nickel Plated
 - * O-Ring: Silicon,Grey
 - * Clamp Ring: Nylon,Black
 - * Sealing Nut:PBT+PC,Black
 - * Seal: Silicon,Grey
 - * Seal For Cable OD: \varnothing 4.0mm- \varnothing 7.0mm
 - * Screws for Wire connection recommended tightening torque: 0.61~0.84 kgf.cm / 0.059~0.082 N.m
 - * Applicable Wire gauge (Stranded wire cross section) 0.14mm² (26AWG) ~ 0.82mm² (18AWG)
 - * Mating Recommended tightening torque: 3~4 kgf.cm / 0.29~0.39 N.m
 - * Sealing-Nut Recommended tightening torque: 4~6 kgf.cm / 0.39~0.59 N.m
 - * Detailed applicable wire specifications may vary depending on the actual wire construction.

UNIT:mm		
TOLERANCE		
±0.5mm		

TITLE M12 A-code 90° Assy M Conn. M Pin			
SCALE 1:1	SIZE A4	SHEET 2 OF 2	
REV. A	WC-REV. A.2	\varnothing : Inspection item	

Amphenol LTW
安費諾亮泰企業股份有限公司

ITEM NO	DRAWN BY Mila	DATE 2015-09-29
DWG NO M12A-XXBMMB-SR7001	CHECKED BY Cary	DATE 2015-09-29
CUSTOMER ALTW	APPROVED BY Jerry	DATE 2015-09-29

X-ON Electronics

Largest Supplier of Electrical and Electronic Components

Click to view similar products for [Sensor Cables / Actuator Cables](#) category:

Click to view products by [Amphenol](#) manufacturer:

Other Similar products are found below :

[60963](#) [60964](#) [703000D02F2002](#) [703001D02F0602](#) [703001D02F300](#) [704000D02F120](#) [773032K02F030](#) [802027107404-1](#) [802027213811-1](#)
[804001A09M150](#) [805001A09M0502](#) [84914-0235](#) [84914-0237](#) [885030A09M020](#) [8R4J30E03C3003](#) [1200651332](#) [1200651713](#) [1200660844](#)
[1200660845](#) [1200661173](#) [1200680071](#) [1200720053](#) [1200720081](#) [1200720099](#) [1200720217](#) [1200800231](#) [1200860125](#) [1200870123](#)
[1200980102](#) [1200650267](#) [1200650298](#) [1200660183](#) [1200660782](#) [1200660849](#) [1200661295](#) [1200661297](#) [1200661342](#) [1200661343](#)
[1200670080](#) [1200670220](#) [1200680331](#) [1200720252](#) [1200730184](#) [1200860344](#) [1200870359](#) [1200870643](#) [1200980008](#) [1200980031](#)
[1210502211](#) [1210400542](#)