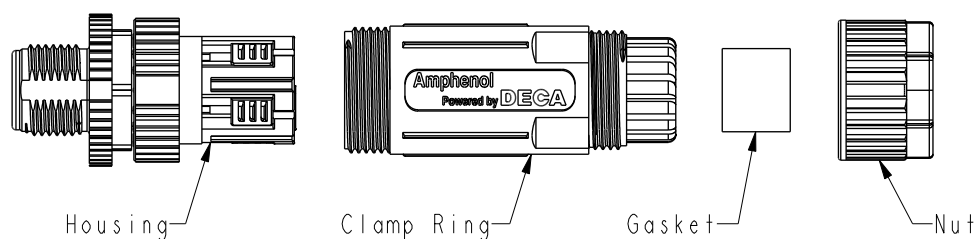


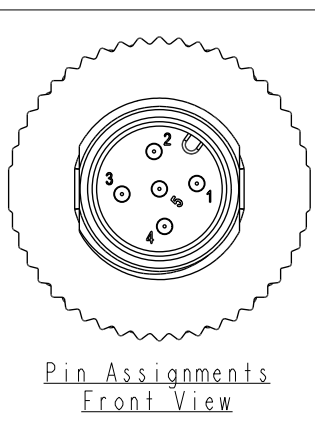
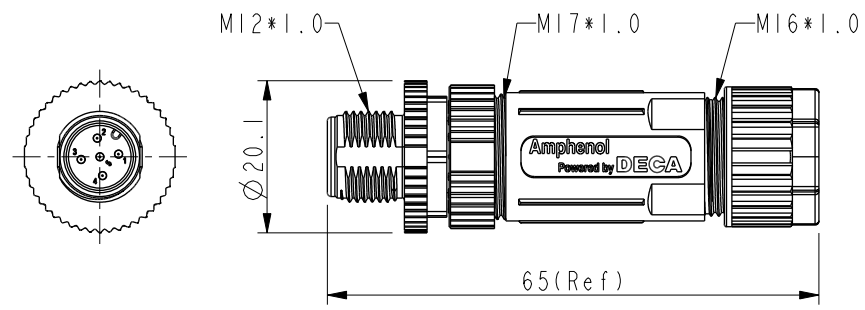
THIS DOCUMENT IS SUBJECT TO CHANGE WITHOUT NOTICE. IT IS CONFIDENTIAL AND A PROPERTY OF Amphenol LTW. DISCLOSURE TO THIRD PARTY HAS TO BE AUTHORIZED BY Amphenol LTW.

REV.	ECN NO.	DATE	SIGN	DESCRIPTION
A		2019-05-14	Allen Pan	01版轉A



M 12A - 05 B M M E - S L 8 001

- M: Male Connector (公座)
- 12A: A-Code
- 05: 5Pin
- B: Without S/R (無網尾)
- M: Male Pin (公Pin)
- E: Push in Type (組裝式)
- S: Screw (螺紋式)
- L: Straight (180°)
- 8: IP68 (防水等級68)
- 001: Without Cable



ALTW
CONFIDENTIAL
 2019-05-14
R&D DEPT.

- Notes:
- * Waterproof Rate: IP68(1M, 24Hour).
 - * Gasket: Rubber, Gray
 - * Nut: Thermoplastic, Black.
 - * Rated Voltage: 60V.
 - * Rated Current: 4A.
 - * Gasket For Cable OD: $\varnothing 4.0\text{mm} \sim \varnothing 8.0\text{mm}$.
 - * Applicable Wire Gauge: 22AWG.
 - * Operating Temperature: $-40 \sim 85^{\circ}\text{C}$
 - * Insulation Resistance: $\geq 100\text{M}\Omega$.
 - * Insertion/Withdrawal Cycles: ≥ 100 .
 - * Nut Recommended Tightening Torque: 4~6kgf.cm.
 - * Wire Pulling Force: $\geq 20\text{N}$.

UNIT:mm		
TOLERANCE		
$\pm 0.5\text{mm}$		

TITLE M12 A Code Push in Type Assy 5Pin M Conn M Pin			
SCALE 1:1	SIZE A4	SHEET 1 OF 1	
REV. A	WC-REV. A.4	QC: Inspection item	

Amphenol LTW
安費諾亮泰企業股份有限公司

ITEM NO. M12A-05BMME-SL8001	DRAWN BY Allen Pan	DATE 2019-05-14
DWG NO. M12A-05BMME-SL8001	CHECKED BY Fred Lee	DATE 2019-05-14
CUSTOMER ALTW	APPROVED BY Fred Lee	DATE 2019-05-14

X-ON Electronics

Largest Supplier of Electrical and Electronic Components

Click to view similar products for [Circular Metric Connectors](#) category:

Click to view products by [Amphenol](#) manufacturer:

Other Similar products are found below :

[600X518037X](#) [6STD15PCR99B70A](#) [8R4000A16M020](#) [8R5000A16M005](#) [1200910002](#) [1203580030](#) [1200910008](#) [1200910011](#) [1300140094](#)
[130203-0054](#) [1300140026](#) [1300150099](#) [1-3637-600-5205](#) [1612618](#) [21036836414](#) [8R4006A16M010](#) [1R3006A20M005](#) [41-40011](#) [42-00006](#)
[42-01015](#) [4-22279-4](#) [4-22281-1](#) [4-22284-9](#) [43-00113](#) [43-01203](#) [41-40013](#) [42-00008](#) [43-00343](#) [43-01026](#) [43-01162](#) [43-01173](#) [43-10000](#)
[XS3P-M421-2](#) [600X518050X](#) [8R5006A16M020](#) [8R5006A16M005](#) [8R4000A16M010](#) [6-22279-3](#) [1605332](#) [N03FA03144](#) [1300140077](#) [43-](#)
[16213](#) [43-01338](#) [XS2RD4265](#) [XS2R-D426-1](#) [XS8A-0441](#) [859RD04-103R004](#) [860RD04-113R004](#) [860RD04-213R004](#) [1-213245-2](#)