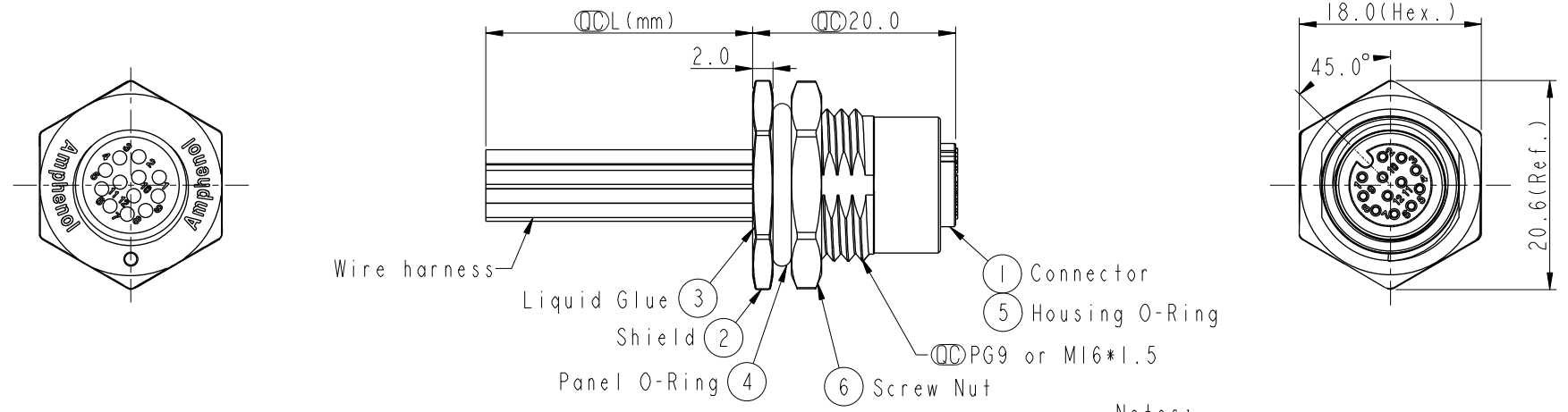


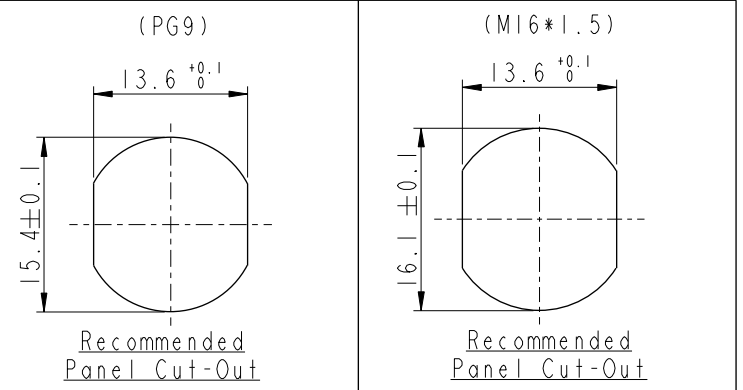
THIS DOCUMENT IS SUBJECT TO CHANGE WITHOUT NOTICE. IT IS CONFIDENTIAL AND A PROPERTY OF Amphenol LTW. DISCLOSURE TO THIRD PARTY HAS TO BE AUTHORIZED BY Amphenol LTW.

REV.	ECN NO.	DATE	SIGN	DESCRIPTION
B	LE31570232~241	2015/07/23	Yulong_wang	Change to Share Drawing.
C	LENI680545~556 LENI680593~597	2016/080/08	Yulong_wang	Add 6pin & IP69K.
D	EI91630	2019/09/19	Ruru	Update Wire Tolerance



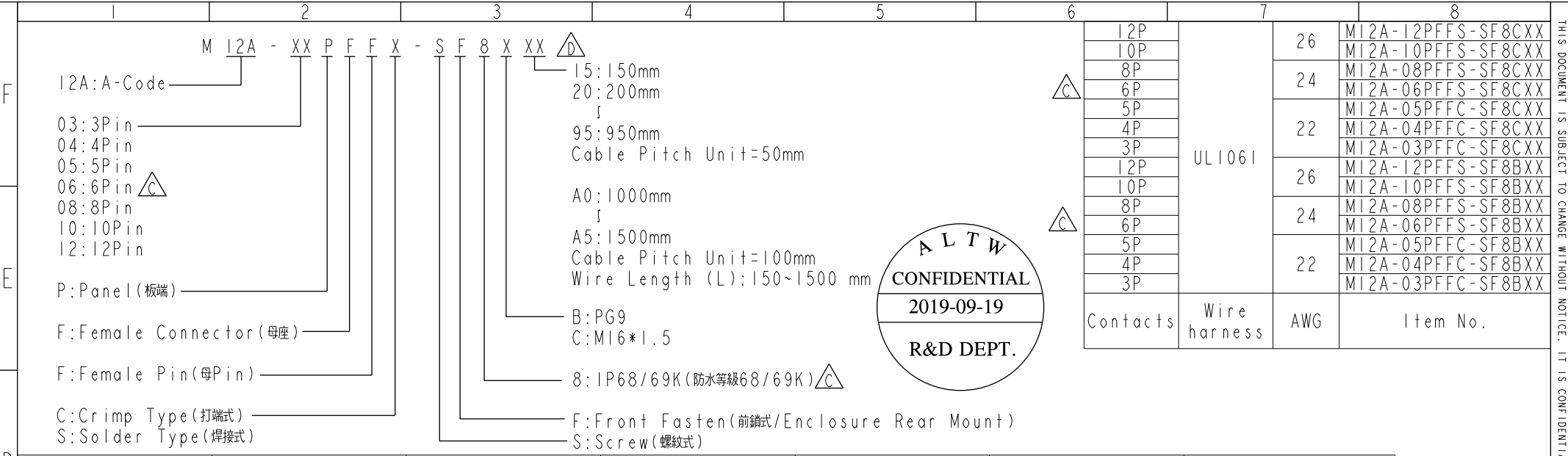
- Notes:
- \*  $\varnothing$  Important Dimension.
  - \* Waterproof Rate: IP68, IP69K.
  - \* Connector: Nylon+GF, Black.
  - \* Female Pin: Copper Alloy, Gold Plated.
  - \* Shield: Zinc Alloy, Nickel Plated.
  - \* Screw Nut: Zinc Alloy, Nickel Plated.
  - \* Panel O-Ring: Viton, Black.
  - \* Housing O-Ring: Viton, Green.
  - \* Wire harness: UL1061
  - \* Rated Voltage: 3 & 4Pin 250V dc. or ac.  
5Pin 60V dc. or ac.  
6~12Pin 30V dc. or ac.
  - \* Rated Current: 3~5Pin 4A  
6~8Pin 2A  
10~12Pin 1.5A
  - \* Operating Temperature: -25~85°C
  - \* For Panel Thickness Max 4.5mm.
  - \* Nut Torque: 4~6 Kgf.cm.
  - \* Wire harness Tolerance: 150~300±15mm  
301~1000±20mm  
Over1000 ±50/-0mm

A L T W  
CONFIDENTIAL  
2019-09-19  
R&D DEPT.

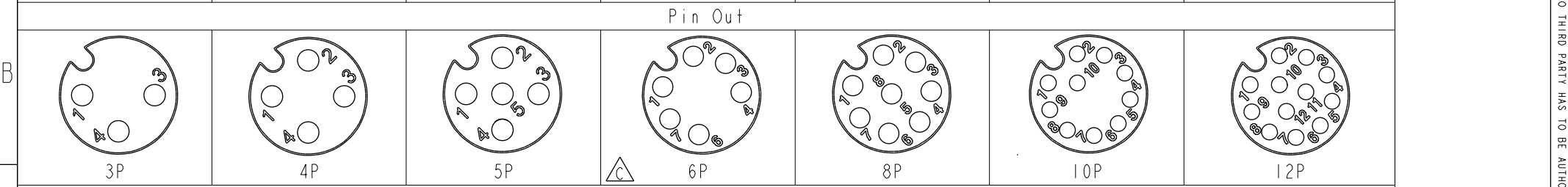


UNIT: mm		TITLE		<b>Amphenol LTW</b> 安費諾亮泰企業股份有限公司	ITEM NO	DRAWN BY	DATE
		M12 A-Code Female Conn. Panel Front With Wire harness			M12A-XXPFFX-SF8XXX	Ruru	2019-09-19
TOLERANCE		SCALE	SIZE		CHECKED BY	DATE	
.X ±0.25		3:2	A4		Rita	2019-09-19	
.XX ±0.1		REV.	WC-REV.		APPROVED BY	DATE	
.XXX ±0.05		D	A.3		Max	2019-09-19	
ANGLES ±1°		: Inspection item		CUSTOMER			
				ALTW			

THIS DOCUMENT IS SUBJECT TO CHANGE WITHOUT NOTICE. IT IS CONFIDENTIAL AND A PROPERTY OF Amphenol LTW. DISCLOSURE TO THIRD PARTY HAS TO BE AUTHORIZED BY Amphenol LTW.



Pin #	Wire	Pin #	Wire	Pin #	Wire	Pin #	Wire	Pin #	Wire	Pin #	Wire	Pin #	Wire
5	--	5	--	5	Gray 灰	5	--	5	Gray 灰	5	Gray 灰	5	Gray 灰
4	Black 黑	4	Black 黑	4	Black 黑	4	Yellow 黃	4	Yellow 黃	4	Yellow 黃	4	Yellow 黃
3	Blue 藍	3	Blue 藍	3	Blue 藍	3	Green 綠	3	Green 綠	3	Green 綠	3	Green 綠
2	--	2	White 白	2	White 白	2	Brown 棕	2	Brown 棕	2	Brown 棕	2	Brown 棕
1	Brown 棕	1	Brown 棕	1	Brown 棕	1	White 白	1	White 白	1	White 白	1	White 白



Pin Assignments Front View

<b>UNIT: mm</b>  TOLERANCE .X ±0.25 .XX ±0.1 .XXX ±0.05 ANGLES ±1°	<b>TITLE</b> M12 A-Code Female Conn. Panel Front With Wire harness			<b>Amphenol LTW</b> 安費諾亮泰企業股份有限公司		<b>ITEM NO</b> M12A-XXPFFX-SF8XXX	<b>DRAWN BY</b> Ruru	<b>DATE</b> 2019-09-19
	<b>SCALE</b> 3:2	<b>SIZE</b> A4	<b>SHEET</b> 2 OF 2			<b>DWG NO</b> M12A-XXPFFX-SF8XXX	<b>CHECKED BY</b> Rita	<b>DATE</b> 2019-09-19
	<b>REV.</b> D	<b>WC-REV.</b> A.3	Inspection item			<b>CUSTOMER</b> ALTW	<b>APPROVED BY</b> Max	<b>DATE</b> 2019-09-19

## X-ON Electronics

Largest Supplier of Electrical and Electronic Components

*Click to view similar products for [Sensor Cables / Actuator Cables](#) category:*

*Click to view products by [Amphenol](#) manufacturer:*

Other Similar products are found below :

[60963](#) [60964](#) [M83513/19-F01CP](#) [703000D02F2002](#) [703001D02F0602](#) [703001D02F300](#) [704000D02F120](#) [773032K02F030](#) [802027107404-1](#)  
[802027213811-1](#) [804001A09M150](#) [805001A09M0502](#) [84914-0235](#) [84914-0237](#) [885030A09M020](#) [8R4J30E03C3003](#) [1200651332](#)  
[1200651713](#) [1200660844](#) [1200660845](#) [1200661173](#) [1200680071](#) [1200720053](#) [1200720081](#) [1200720099](#) [1200720217](#) [1200800231](#)  
[1200860125](#) [1200870123](#) [1200980102](#) [1200650267](#) [1200650298](#) [1200660183](#) [1200660782](#) [1200660849](#) [1200661295](#) [1200661297](#)  
[1200661342](#) [1200661343](#) [1200670080](#) [1200670220](#) [1200680331](#) [1200720252](#) [1200730184](#) [1200860344](#) [1200870359](#) [1200870643](#)  
[1200980008](#) [1200980031](#) [1210502211](#)