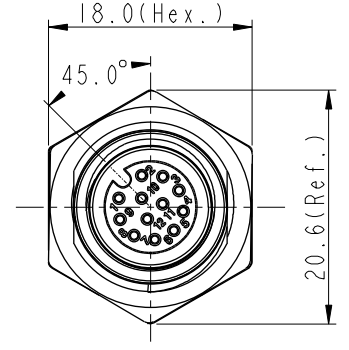
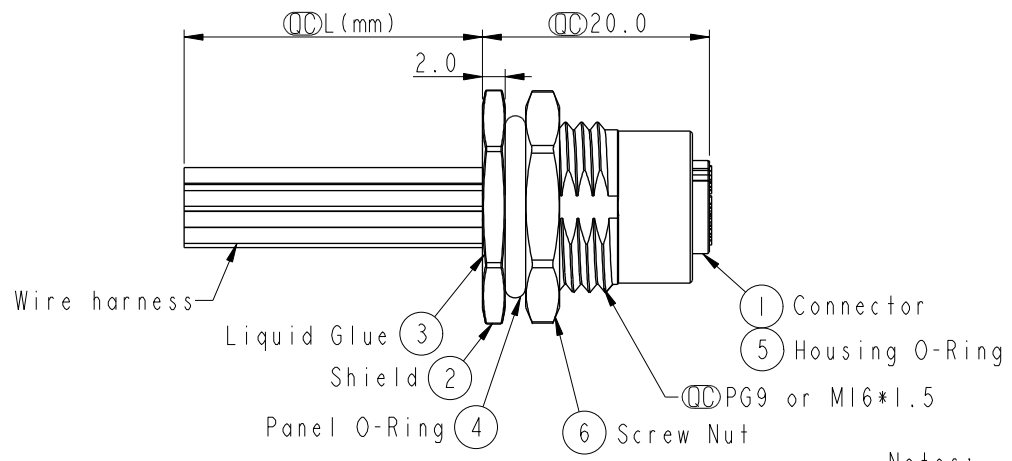
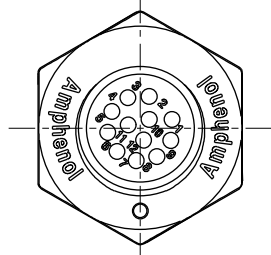


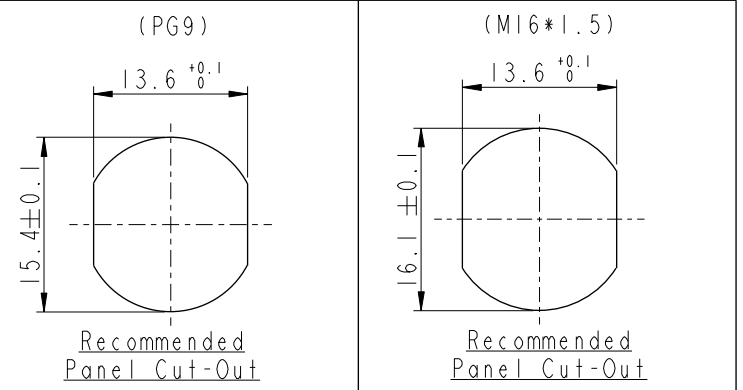
THIS DOCUMENT IS SUBJECT TO CHANGE WITHOUT NOTICE. IT IS CONFIDENTIAL AND A PROPERTY OF Amphenol LTW. DISCLOSURE TO THIRD PARTY HAS TO BE AUTHORIZED BY Amphenol LTW.

REV.	ECN NO.	DATE	SIGN	DESCRIPTION
B	LE31570232~241	2015/07/23	Yulong_wang	Change to Share Drawing.
C	LENI680545~556 LENI680593~597	2016/080/08	Yulong_wang	Add 6pin & IP69K.
D	EI91630	2019/09/19	Ruru	Update Wire Tolerance



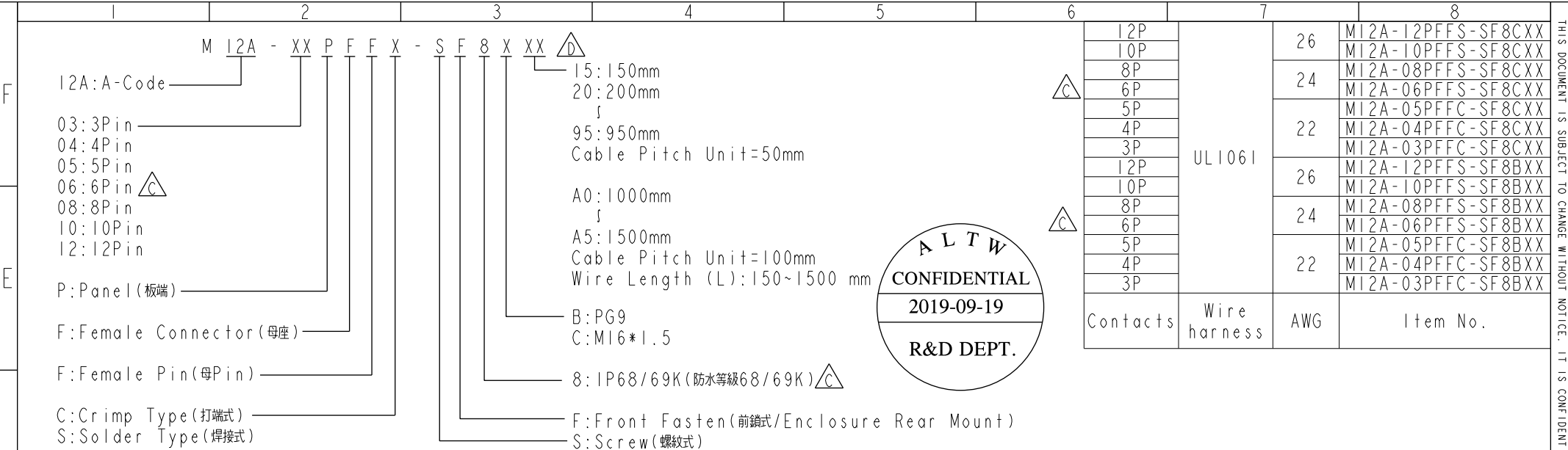
- Notes:
- * \varnothing Important Dimension.
 - * Waterproof Rate: IP68, IP69K.
 - * Connector: Nylon+GF, Black.
 - * Female Pin: Copper Alloy, Gold Plated.
 - * Shield: Zinc Alloy, Nickel Plated.
 - * Screw Nut: Zinc Alloy, Nickel Plated.
 - * Panel O-Ring: Viton, Black.
 - * Housing O-Ring: Viton, Green.
 - * Wire harness: UL1061
 - * Rated Voltage: 3 & 4Pin 250V dc. or ac.
5Pin 60V dc. or ac.
6~12Pin 30V dc. or ac.
 - * Rated Current: 3~5Pin 4A
6~8Pin 2A
10~12Pin 1.5A
 - * Operating Temperature: -25~85°C
 - * For Panel Thickness Max 4.5mm.
 - * Nut Torque: 4~6 Kgf.cm.
 - * Wire harness Tolerance: 150~300±15mm
301~1000±20mm
Over1000 ±50/-0mm

A L T W
CONFIDENTIAL
2019-09-19
R&D DEPT.



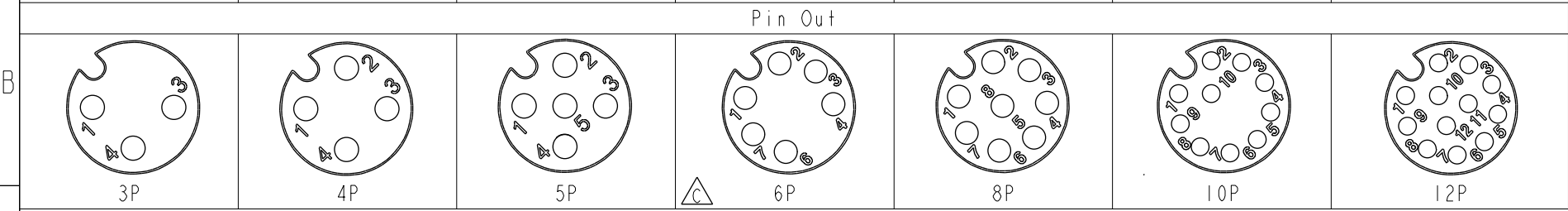
UNIT: mm		TITLE		Amphenol LTW 安費諾亮泰企業股份有限公司	ITEM NO	DRAWN BY	DATE
		M12 A-Code Female Conn. Panel Front With Wire harness			M12A-XXPFFX-SF8XXX	Ruru	2019-09-19
TOLERANCE		SCALE	SIZE	CUSTOMER	CHECKED BY	DATE	
.X ±0.25 .XX ±0.1 .XXX ±0.05 ANGLES ±1°		3:2	A4		1 OF 2	Rita	2019-09-19
		REV.	WC-REV.	ALTW	APPROVED BY	DATE	
		D	A.3		Max	2019-09-19	

THIS DOCUMENT IS SUBJECT TO CHANGE WITHOUT NOTICE. IT IS CONFIDENTIAL AND A PROPERTY OF Amphenol LTW. DISCLOSURE TO THIRD PARTY HAS TO BE AUTHORIZED BY Amphenol LTW.



12P	UL1061	26	M12A-12PFFS-SF8CXX
10P			M12A-10PFFS-SF8CXX
8P		24	M12A-08PFFS-SF8CXX
6P			M12A-06PFFS-SF8CXX
5P		22	M12A-05PFFC-SF8CXX
4P			M12A-04PFFC-SF8CXX
3P			M12A-03PFFC-SF8CXX
12P		26	M12A-12PFFS-SF8BXX
10P			M12A-10PFFS-SF8BXX
8P		24	M12A-08PFFS-SF8BXX
6P			M12A-06PFFS-SF8BXX
5P		22	M12A-05PFFC-SF8BXX
4P	M12A-04PFFC-SF8BXX		
3P	M12A-03PFFC-SF8BXX		
Contacts	Wire harness	AWG	Item No.

5	--	5	--	5	Gray	灰	5	--	5	Red	紅	12	--	12	Red/Blue	紅/藍
4	Black	4	Black	4	Black	黑	4	Blue	4	Blue	藍	11	--	11	Gray/Pink	灰/粉
3	Blue	3	Blue	3	Blue	藍	3	Pink	3	Pink	粉	10	Violet	10	Violet	紫
2	--	2	White	2	White	白	2	--	2	Gray	灰	9	Black	9	Black	黑
1	Brown	1	Brown	1	Brown	棕	1	Yellow	1	Yellow	黃	8	Red	8	Red	紅
								Green		Green	綠	7	Blue	7	Blue	藍
								Brown		Brown	棕	6	Pink	6	Pink	粉
								White		White	白	5	Gray	5	Gray	灰
												4	Yellow	4	Yellow	黃
												3	Green	3	Green	綠
												2	Brown	2	Brown	棕
												1	White	1	White	白



Pin Assignments Front View

UNIT: mm TOLERANCE .X ±0.25 .XX ±0.1 .XXX ±0.05 ANGLES ±1°	TITLE M12 A-Code Female Conn. Panel Front With Wire harness			Amphenol LTW 安費諾亮泰企業股份有限公司		ITEM NO M12A-XXPFFX-SF8XXX	DRAWN BY Ruru	DATE 2019-09-19
	SCALE 3:2	SIZE A4	SHEET 2 OF 2			DWG NO M12A-XXPFFX-SF8XXX	CHECKED BY Rita	DATE 2019-09-19
	REV. D	WC-REV. A.3	Inspection item			CUSTOMER ALTW	APPROVED BY Max	DATE 2019-09-19

X-ON Electronics

Largest Supplier of Electrical and Electronic Components

Click to view similar products for [Sensor Cables / Actuator Cables](#) category:

Click to view products by [Amphenol](#) manufacturer:

Other Similar products are found below :

[60963](#) [60964](#) [703000D02F2002](#) [703000D02F300](#) [703001D02F0602](#) [703001D02F1201](#) [703001D02F300](#) [704000D02F120](#) [MDM21SH001F](#)
[773032K02F030](#) [802027107404-1](#) [802027213811-1](#) [804001A09M150](#) [805001A09M0502](#) [84914-0235](#) [84914-0237](#) [885030A09M010](#)
[885030A09M020](#) [8R4006A18M010](#) [1200651332](#) [1200651713](#) [1200660844](#) [1200660845](#) [1200661173](#) [1200680071](#) [1200720053](#)
[1200720081](#) [1200720099](#) [1200720217](#) [1200800231](#) [1200860125](#) [1200870123](#) [1200980102](#) [1200650298](#) [1200660183](#) [1200660782](#)
[1200660849](#) [1200661295](#) [1200661297](#) [1200661342](#) [1200661343](#) [1200670220](#) [1200680331](#) [1200720252](#) [1200720255](#) [1200720597](#)
[1200730184](#) [1200860344](#) [1200870359](#) [1200870643](#)