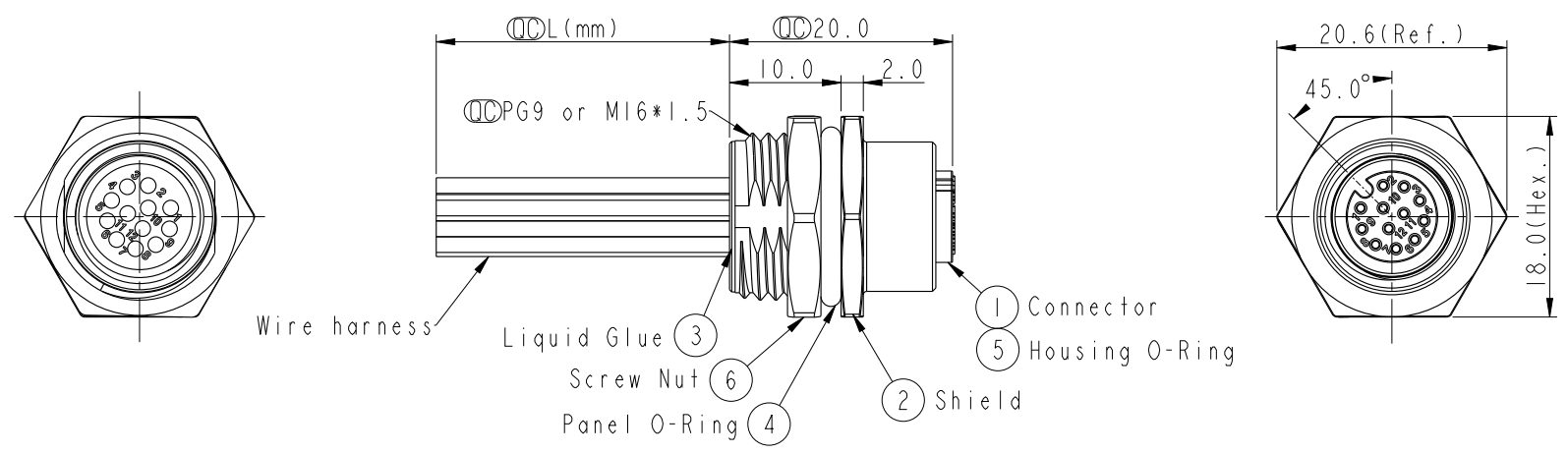


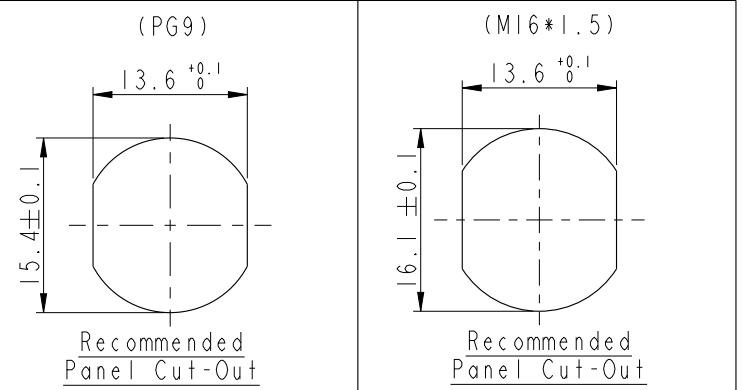
THIS DOCUMENT IS SUBJECT TO CHANGE WITHOUT NOTICE. IT IS CONFIDENTIAL AND A PROPERTY OF Amphenol LTW. DISCLOSURE TO THIRD PARTY HAS TO BE AUTHORIZED BY Amphenol LTW.

REV.	ECN NO.	DATE	SIGN	DESCRIPTION
B	LE31570242~251	2015/07/23	Yulong_wang	Change to Share Drawing.
C	LEN1680557~568	2016/08/08	Yulong_wang	Add 6Pin & IP69K.



**ALTW**  
**CONFIDENTIAL**  
 2016-08-08  
**R&D DEPT.**

- Notes:
- \*  $\varnothing$  Important Dimension.
  - \*  $\triangle$  Waterproof Rate: IP68, IP69K.
  - \* Connector: Nylon+GF, Black.
  - \* Female Pin: Copper Alloy, Gold Plated.
  - \* Shield: Zinc Alloy, Nickel Plated.
  - \* Screw Nut: Zinc Alloy, Nickel Plated.
  - \* Panel O-Ring: Viton, Black.
  - \* Housing O-Ring: Viton, Green.
  - \* Wire harness: UL1061
  - \* Rated Voltage: 3 & 4Pin 250V dc. or ac.  
 5Pin 60V dc. or ac.  
 6~12Pin 30V dc. or ac.
  - \* Rated Current: 3~5Pin 4A  
 6~8Pin 2A  
 10~12Pin 1.5A
  - \* Operating Temperature: -25~85°C
  - \* For Panel Thickness Max 4.5mm.
  - \* Nut Torque: 4-6 Kgf.cm.
  - \* Wire harness Tolerance: 150~300 ±15mm  
 301~1000 ±20mm  
 Over1000 ±40mm



UNIT: mm		TITLE M12 A-Code Female Conn. Panel Rear With Wire harness		<h1 style="text-align: center;">Amphenol LTW</h1> <p style="text-align: center;">安費諾亮泰企業股份有限公司</p>	ITEM NO	DRAWN BY Yulong_wang	DATE 2016-08-08
		TOLERANCE .X ±0.25 .XX ±0.1 .XXX ±0.05 ANGLES ±1°	SCALE 3:2		SIZE A4	SHEET 1 OF 2	DWG NO M12A-XXPFFX-SH8XXX
		REV. C	WC-REV. A.3	$\varnothing$ : Inspection item	CUSTOMER ALTW	APPROVED BY Jerry	DATE 2016-08-08

THIS DOCUMENT IS SUBJECT TO CHANGE WITHOUT NOTICE. IT IS CONFIDENTIAL AND A PROPERTY OF Amphenol LTW. DISCLOSURE TO THIRD PARTY HAS TO BE AUTHORIZED BY Amphenol LTW.

**12A: A-Code**

M: 12A - XX P F F X - S H 8 X XX

03: 3Pin  
04: 4Pin  
05: 5Pin  
06: 6Pin   
08: 8Pin  
10: 10Pin  
12: 12Pin

P: Panel (板端)  
F: Female Connector (母座)  
F: Female Pin (母Pin)  
C: Crimp Type (打端式)  
S: Solder Type (焊接式)

15: 150mm  
30: 300mm  
50: 500mm  
A0: 1000mm  
A5: 1500mm  
Wire Length(L): 150-1500mm

B: PG9  
C: M16\*1.5

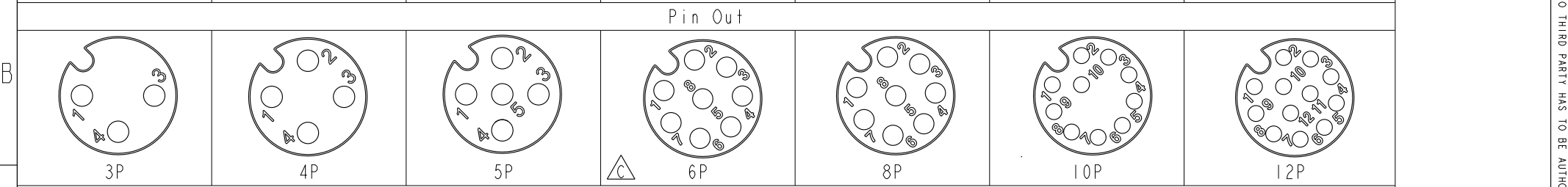
8: IP68/69K (防水等級68/69K)

H: Rear Fasten (后鎖式/Enclosure Front Mount)

S: Screw (螺紋式)

	12P	UL1061	26	M12A-12PFFS-SH8CXX
	10P			M12A-10PFFS-SH8CXX
	8P			M12A-08PFFS-SH8CXX
	6P			M12A-06PFFS-SH8CXX
	5P			M12A-05PFFC-SH8CXX
	4P			M12A-04PFFC-SH8CXX
	3P		M12A-03PFFC-SH8CXX	
	12P		26	M12A-12PFFS-SH8BXX
	10P			M12A-10PFFS-SH8BXX
	8P			M12A-08PFFS-SH8BXX
	6P			M12A-06PFFS-SH8BXX
	5P			M12A-05PFFC-SH8BXX
4P	M12A-04PFFC-SH8BXX			
3P	M12A-03PFFC-SH8BXX			
Contacts	Wire harness	AWG	Item No.	

5	--	5	--	5	Gray 灰	5	Gray 灰	5	Gray 灰	5	Gray 灰	5	Gray 灰	5	Gray 灰
4	Black 黑	4	Black 黑	4	Black 黑	4	Black 黑	4	Black 黑	4	Black 黑	4	Black 黑	4	Black 黑
3	Blue 藍	3	Blue 藍	3	Blue 藍	3	Blue 藍	3	Blue 藍	3	Blue 藍	3	Blue 藍	3	Blue 藍
2	--	2	White 白	2	White 白	2	White 白	2	White 白	2	White 白	2	White 白	2	White 白
1	Brown 棕	1	Brown 棕	1	Brown 棕	1	Brown 棕	1	Brown 棕	1	Brown 棕	1	Brown 棕	1	Brown 棕
8	--	8	--	8	--	8	--	8	--	8	--	8	--	8	--
7	Blue 藍	7	Blue 藍	7	Blue 藍	7	Blue 藍	7	Blue 藍	7	Blue 藍	7	Blue 藍	7	Blue 藍
6	Pink 粉	6	Pink 粉	6	Pink 粉	6	Pink 粉	6	Pink 粉	6	Pink 粉	6	Pink 粉	6	Pink 粉
5	--	5	--	5	--	5	--	5	--	5	--	5	--	5	--
4	Yellow 黃	4	Yellow 黃	4	Yellow 黃	4	Yellow 黃	4	Yellow 黃	4	Yellow 黃	4	Yellow 黃	4	Yellow 黃
3	Green 綠	3	Green 綠	3	Green 綠	3	Green 綠	3	Green 綠	3	Green 綠	3	Green 綠	3	Green 綠
2	Brown 棕	2	Brown 棕	2	Brown 棕	2	Brown 棕	2	Brown 棕	2	Brown 棕	2	Brown 棕	2	Brown 棕
1	White 白	1	White 白	1	White 白	1	White 白	1	White 白	1	White 白	1	White 白	1	White 白



Pin Assignments Front View

UNIT: mm		TITLE M12 A-Code Female Conn. Panel Rear With Wire harness	<h1>Amphenol LTW</h1> 安費諾亮泰企業股份有限公司	ITEM NO	DRAWN BY Yulong_wang	DATE 2016-08-08
TOLERANCE .X ±0.25 .XX ±0.1 .XXX ±0.05 ANGLES ±1°	SCALE 3:2	SIZE A4	SHEET 2 OF 2	DWG NO M12A-XXPFFX-SH8XXX	CHECKED BY Jinhai	DATE 2016-08-08
REV. C	WC-REV. A.3	QC: Inspection item		CUSTOMER ALTW	APPROVED BY Jerry	DATE 2016-08-08

## X-ON Electronics

Largest Supplier of Electrical and Electronic Components

*Click to view similar products for [Sensor Cables / Actuator Cables](#) category:*

*Click to view products by [Amphenol](#) manufacturer:*

Other Similar products are found below :

[60963](#) [60964](#) [703000D02F2002](#) [703001D02F0602](#) [703001D02F300](#) [704000D02F120](#) [773032K02F030](#) [802027107404-1](#) [802027213811-1](#)  
[804001A09M150](#) [805001A09M0502](#) [84914-0235](#) [84914-0237](#) [885030A09M020](#) [8R4J30E03C3003](#) [1200651332](#) [1200651713](#) [1200660844](#)  
[1200660845](#) [1200661173](#) [1200680071](#) [1200720053](#) [1200720081](#) [1200720099](#) [1200720217](#) [1200800231](#) [1200860125](#) [1200870123](#)  
[1200980102](#) [1200650267](#) [1200650298](#) [1200660183](#) [1200660782](#) [1200660849](#) [1200661295](#) [1200661297](#) [1200661342](#) [1200661343](#)  
[1200670080](#) [1200670220](#) [1200680331](#) [1200720252](#) [1200730184](#) [1200860344](#) [1200870359](#) [1200870643](#) [1200980008](#) [1200980031](#)  
[1210502211](#) [1210400542](#)