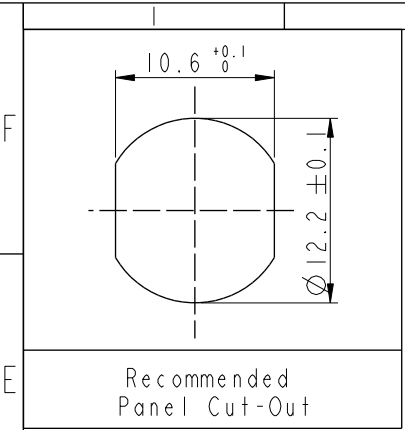
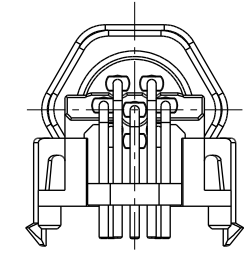
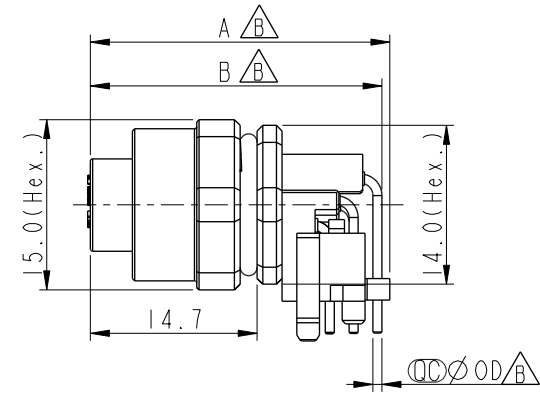
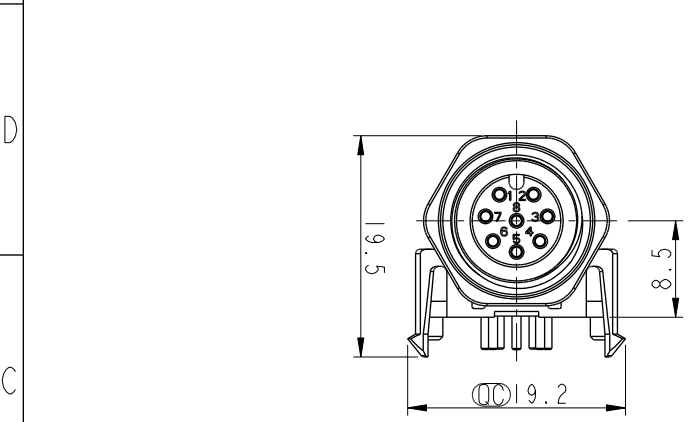
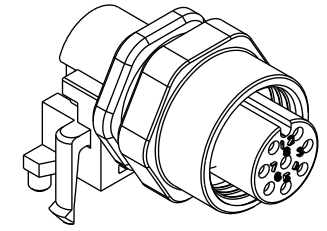
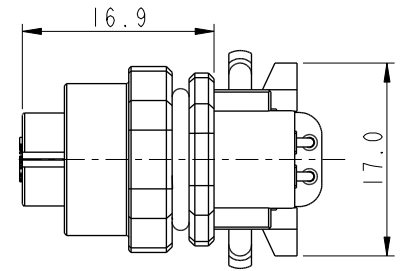


THIS DOCUMENT IS SUBJECT TO CHANGE WITHOUT NOTICE. IT IS CONFIDENTIAL AND A PROPERTY OF Amphenol LTW. DISCLOSURE TO THIRD PARTY HAS TO BE AUTHORIZED BY Amphenol LTW.

REV.	ECN NO.	DATE	SIGN	DESCRIPTION
B	C190510	2019-03-21	Su Nan	Add The Size Table
C	C200275	2020-03-12	Nan_Su	$\triangle C$ X1
D	C210309	2021-02-23	Ruru	$\triangle D$ X4

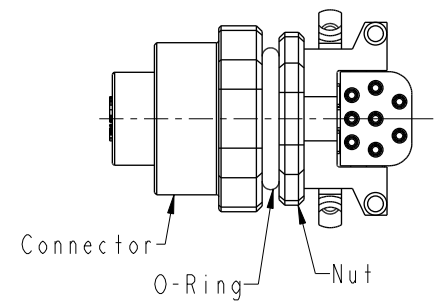


$\triangle D$
M12A-XXPFFR-SF7003
XX: No. Of Pin

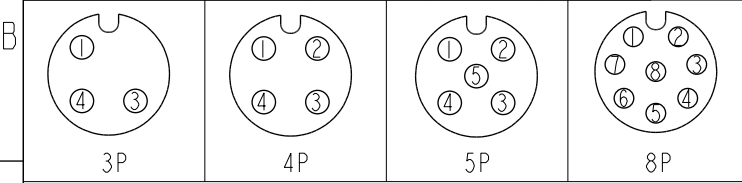


M12A-03PFFR-SF7003	26.6	25.5	1.0
M12A-04PFFR-SF7003	26.6	25.5	1.0
M12A-05PFFR-SF7003	26.6	25.5	1.0
M12A-08PFFR-SF7003	26.4	25.7	0.8
Item No.	A	B	OD

$\triangle B$



$\triangle D$
Note:
 * RoHS Compliant
 * ⌀ Important dimension
 * Waterproof rate: IPX7, mated
 * Connector
 Housing: Thermoplastic, Black
 Pin: Copper alloy, Gold plated
 O-Ring1: Rubber, Black
 O-Ring2: Rubber, Gray
 Nut: Metal
 * Nut: Metal
 * O-Ring: Rubber, Gray
 * For panel thickness max: 3.0mm
 $\triangle C$ * For pcb thickness max: 1.6mm
 * O-Ring and nut are assembled on connectors



Pin Assignment Front View

UNIT: mm		TITLE	
TOLERANCE	± 0.25 ± 0.1 ± 0.05 $\pm 1^\circ$	N SEN, M12 A, SCREW RECEPTACLE, F, F, PCB R $\triangle D$	
SCALE	3:2	SIZE	A4
REV.	D	SHEET	1 OF 2
WC-REV.	.0	⌀ : Inspection item	

Amphenol LTW
安費諾亮泰企業股份有限公司

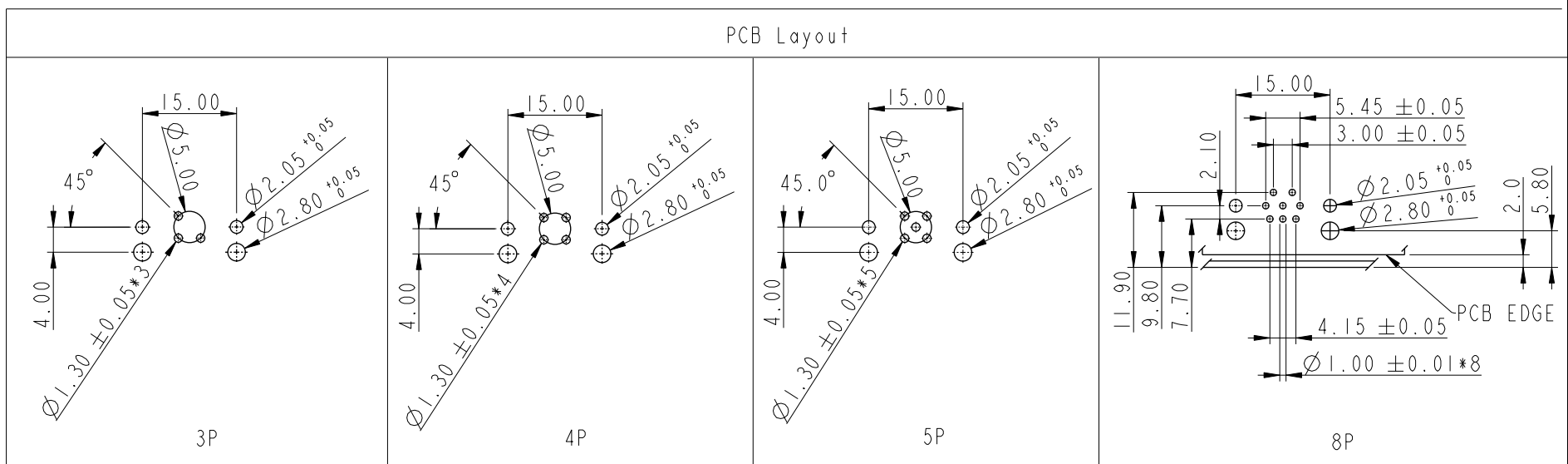
ITEM NO	DRAWN BY	DATE
	Su Nan	2019-03-21
DWG NO	CHECKED BY	DATE
M12A-XXPFFR-SF7003	Feng	2019-03-21
CUSTOMER	APPROVED BY	DATE
ALTW	Jerry	2019-03-21

THIS DOCUMENT IS SUBJECT TO CHANGE WITHOUT NOTICE. IT IS CONFIDENTIAL AND A PROPERTY OF Amphenol LTW. DISCLOSURE TO THIRD PARTY HAS TO BE AUTHORIZED BY Amphenol LTW.

1 2 3 4 5 6 7 8

F
E
D
C
B
A

PCB Layout



UNIT: mm		TITLE N SEN, M12 A, SCREW RECEPTACLE, F, F, PCB R	
TOLERANCE .X ±0.25 .XX ±0.1 .XXX ±0.05 ANGLES ±1°		SCALE 3:2	SIZE A4
		SHEET 2	OF 2
		REV. D	WC-REV. .0
		☑ Inspection item	

Amphenol LTW
安費諾亮泰企業股份有限公司

ITEM NO	DRAWN BY Su Nan	DATE 2019-03-21
DWG NO M12A-XXPFFR-SF7003	CHECKED BY Feng	DATE 2019-03-21
CUSTOMER ALTW	APPROVED BY Jerry	DATE 2019-03-21

X-ON Electronics

Largest Supplier of Electrical and Electronic Components

Click to view similar products for [Circular Metric Connectors](#) category:

Click to view products by [Amphenol](#) manufacturer:

Other Similar products are found below :

[600X518037X](#) [MA1EAF1200](#) [6STD15PCR99B70A](#) [8R4000A16M020](#) [8R4A00A18M020](#) [8R5000A16M005](#) [1200910008](#) [1200910011](#)
[1300140094](#) [130203-0054](#) [1300150099](#) [RF-12S1N8A90DU](#) [1-3637-600-5205](#) [1612618](#) [8R4006A16M010](#) [8R5006A18A120](#) [1604232](#)
[1R3006A20M005](#) [RF-12P1N8A80DU](#) [RF-12P1N8A90DU](#) [41-01016](#) [41-40011](#) [41-40017](#) [42-01015](#) [4-22279-4](#) [4-22281-1](#) [4-22284-9](#) [43-](#)
[00002](#) [43-01166](#) [41-40005](#) [41-40016](#) [43-00161](#) [43-01191](#) [XS3P-M421-2](#) [600X518050X](#) [SACC-DSI-FS-5P-PG9-L180 SC](#) [8R4006A16A120](#)
[8R4000A16M010](#) [RKC 50/16](#) [1R3004A20A1201](#) [6-22279-3](#) [N03FA03144](#) [1300140077](#) [XS8A-0441](#) [859RD04-103R004](#) [860RD04-113R004](#)
[860RD04-213R004](#) [860-X08-213R004](#) [1-213245-2](#) [2273142-2](#)