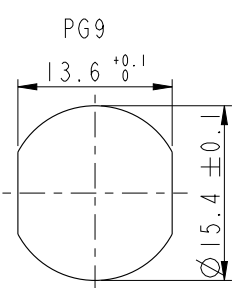
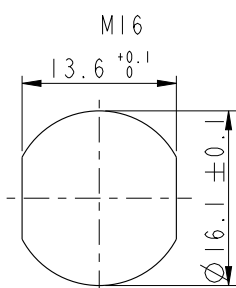


THIS DOCUMENT IS SUBJECT TO CHANGE WITHOUT NOTICE. IT IS CONFIDENTIAL AND A PROPERTY OF AMPHENOL LTW. DISCLOSURE TO THIRD PARTY HAS TO BE AUTHORIZED BY AMPHENOL LTW.

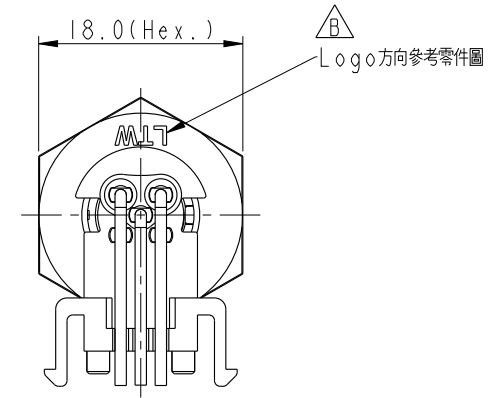
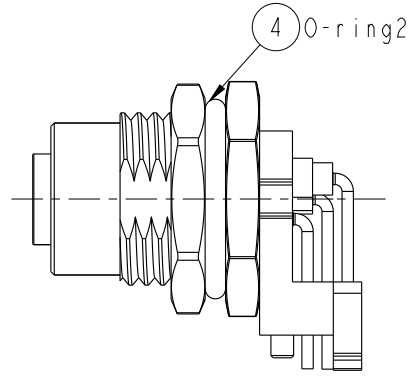
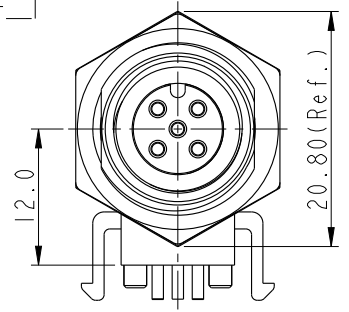
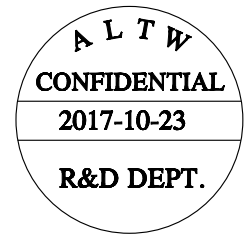
REV.	ECN NO.	DATE	SIGN	DESCRIPTION
B	LEN17A0191~96	2017-10-23	Frank Deng	Update Drawing



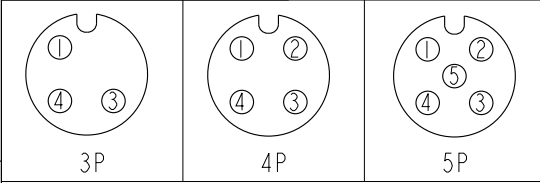
Recommended Panel Cut-Out



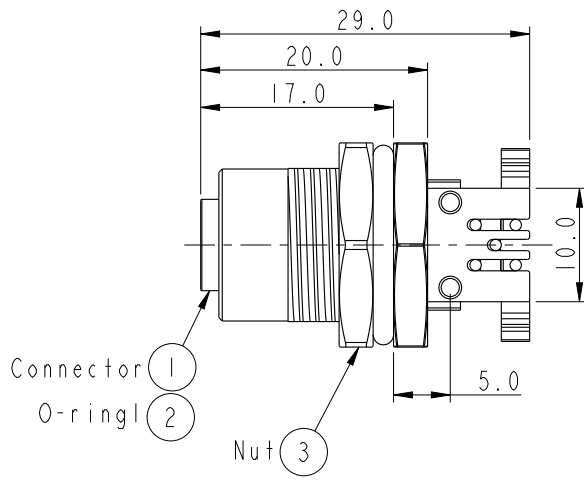
Recommended Panel Cut-Out



MI2A-03PFFR-SF8002
MI2A-04PFFR-SF8002
MI2A-05PFFR-SF8002
MI2A-03PFFR-SF8001
MI2A-04PFFR-SF8001
MI2A-05PFFR-SF8001
Item No.



Pin Assignment Front View



Note:

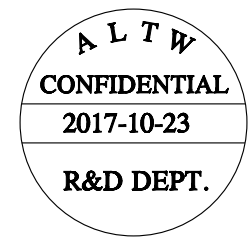
- * Ⓞ Important Dimension To Check.
- * Waterproof Rate: IP68.
IP68: 1M Depth Of Water In 24hours.
- * Connector: Nylon+GF, Black
- * Female Pin: Copper Alloy, Gold Plated.
- * Shell: Zinc Alloy, Nickel Plated.
- * Nut: Zinc Alloy, Nickel Plated.
- * O-ring1: Silicon, Gray.
- * O-ring2: Silicon, Black.
- * Boardlock: PBT+PC, Black.
- * Rated Voltage: 3 & 4Pin 250V dc. or ac.
5Pin 60V dc. or ac.
- * Rated Current: 3~5Pin 4A
- * For Panel Thickness Max. 4.5mm
- * For PCB Thickness Max. 1.6mm

UNIT: mm			TITLE MI2 90° PANEL FCONN FPIN
TOLERANCE .X ±0.25 .XX ±0.1 .XXX ±0.05 ANGLES ±1°	SCALE 3:2	SIZE A4	SHEET 1 OF 2
REV. B	WC-REV. A.2	QC: Inspection item	

Amphenol LTW
安費諾亮泰企業股份有限公司

ITEM NO.	DRAWN BY Frank Deng	DATE 2017-10-23
DWG NO. MI2A-XXPFFR-SF8XXX	CHECKED BY Fisher Wang	DATE 2017-10-23
CUSTOMER ALTW	APPROVED BY Kevin Hu	DATE 2017-10-23

THIS DOCUMENT IS SUBJECT TO CHANGE WITHOUT NOTICE. IT IS CONFIDENTIAL AND A PROPERTY OF Amphenol LTW. DISCLOSURE TO THIRD PARTY HAS TO BE AUTHORIZED BY Amphenol LTW.



M 12A - XX P F F R - S F 8 XXX

12A: A-Code

03: 3Pin
04: 4Pin
05: 5Pin

P: Panel (板端)

F: Female Connector (母座)

001: PG9
002: M16

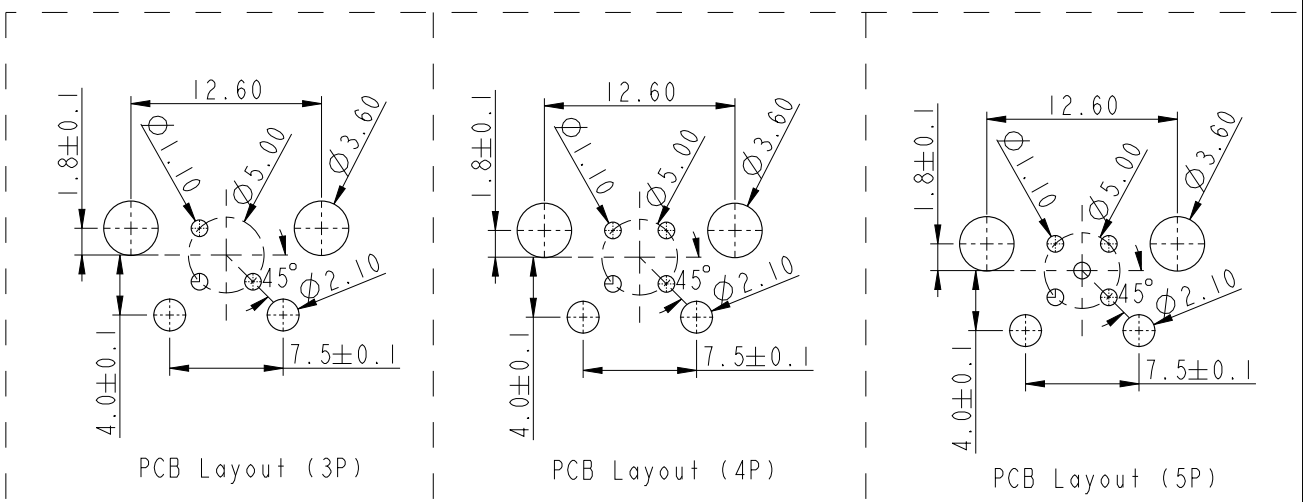
8: IP68 (防水等級68)

F: Front Fasten (前鎖式/Enclosure Rear Mount)

S: Screw (螺紋式)

R: 90° PCB THT/DIP Type (90° 基板插件式)

F: Female Pin (母Pin)



UNIT: mm		TITLE MI2 90° PANEL FCONN FPIN			Amphenol LTW 安費諾亮泰企業股份有限公司	ITEM NO	DRAWN BY	DATE
		TOLERANCE .X ±0.25 .XX ±0.1 .XXX ±0.05 ANGLES ±1°	SCALE 3:2	SIZE A4		SHEET 2 OF 2	DWG NO M12A-XXPFFR-SF8XXX	CHECKED BY Fisher Wang
		REV. B	WC-REV. A.2	Inspection item	CUSTOMER ALTW	APPROVED BY Kevin Hu	DATE 2017-10-23	

X-ON Electronics

Largest Supplier of Electrical and Electronic Components

Click to view similar products for [Sensor Cables / Actuator Cables](#) category:

Click to view products by [Amphenol](#) manufacturer:

Other Similar products are found below :

[60963](#) [60964](#) [M83513/19-F01CP](#) [703000D02F2002](#) [703001D02F0602](#) [703001D02F300](#) [704000D02F120](#) [773032K02F030](#) [802027107404-1](#)
[802027213811-1](#) [804001A09M150](#) [805001A09M0502](#) [84914-0235](#) [84914-0237](#) [885030A09M020](#) [8R4J30E03C3003](#) [1200651332](#)
[1200651713](#) [1200660844](#) [1200660845](#) [1200661173](#) [1200680071](#) [1200720053](#) [1200720081](#) [1200720099](#) [1200720217](#) [1200800231](#)
[1200860125](#) [1200870123](#) [1200980102](#) [1200650267](#) [1200650298](#) [1200660183](#) [1200660782](#) [1200660849](#) [1200661295](#) [1200661297](#)
[1200661342](#) [1200661343](#) [1200670080](#) [1200670220](#) [1200680331](#) [1200720252](#) [1200730184](#) [1200860344](#) [1200870359](#) [1200870643](#)
[1200980008](#) [1200980031](#) [1210502211](#)