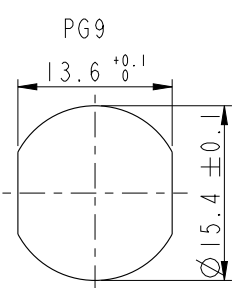
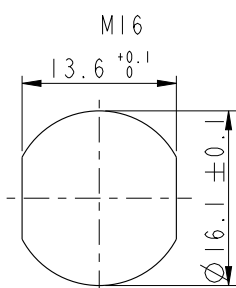


THIS DOCUMENT IS SUBJECT TO CHANGE WITHOUT NOTICE. IT IS CONFIDENTIAL AND A PROPERTY OF AMPHENOL LTW. DISCLOSURE TO THIRD PARTY HAS TO BE AUTHORIZED BY AMPHENOL LTW.

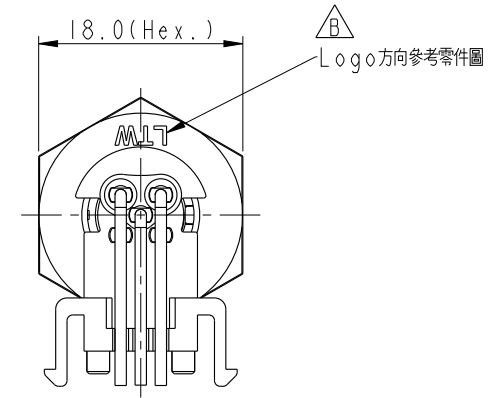
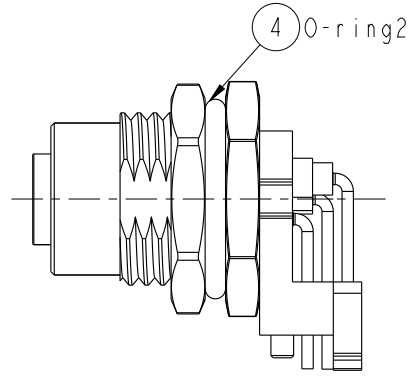
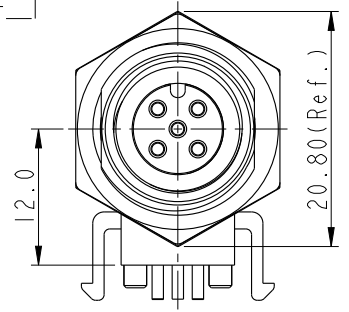
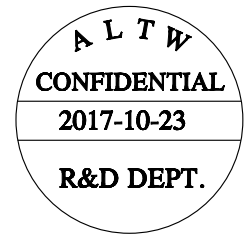
REV.	ECN NO.	DATE	SIGN	DESCRIPTION
B	LEN17A0191~96	2017-10-23	Frank Deng	Update Drawing



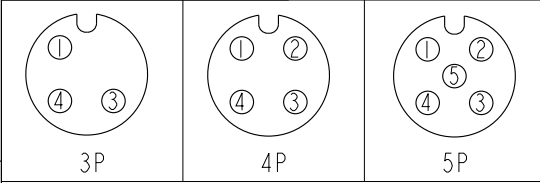
Recommended Panel Cut-Out



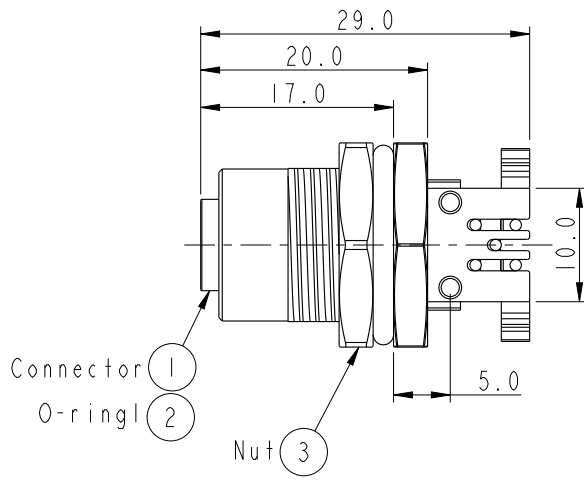
Recommended Panel Cut-Out



MI2A-03PFFR-SF8002
MI2A-04PFFR-SF8002
MI2A-05PFFR-SF8002
MI2A-03PFFR-SF8001
MI2A-04PFFR-SF8001
MI2A-05PFFR-SF8001
Item No.



Pin Assignment Front View



Note:

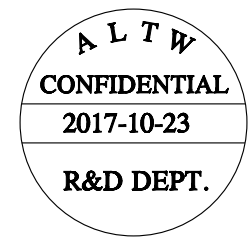
- \*  $\text{Ⓞ}$  Important Dimension To Check.
- \* Waterproof Rate: IP68.  
IP68: 1M Depth Of Water In 24hours.
- \* Connector: Nylon+GF, Black
- \* Female Pin: Copper Alloy, Gold Plated.
- \* Shell: Zinc Alloy, Nickel Plated.
- \* Nut: Zinc Alloy, Nickel Plated.
- \* O-ring1: Silicon, Gray.
- \* O-ring2: Silicon, Black.
- \* Boardlock: PBT+PC, Black.
- \* Rated Voltage: 3 & 4Pin 250V dc. or ac.  
5Pin 60V dc. or ac.
- \* Rated Current: 3~5Pin 4A
- \* For Panel Thickness Max. 4.5mm
- \* For PCB Thickness Max. 1.6mm

UNIT: mm			TITLE MI2 90° PANEL FCONN FPIN
TOLERANCE .X ±0.25 .XX ±0.1 .XXX ±0.05 ANGLES ±1°	SCALE 3:2	SIZE A4	SHEET 1 OF 2
REV. B	WC-REV. A.2	QC: Inspection item	

**Amphenol LTW**  
安費諾亮泰企業股份有限公司

ITEM NO.	DRAWN BY Frank Deng	DATE 2017-10-23
DWG NO. MI2A-XXPFFR-SF8XXX	CHECKED BY Fisher Wang	DATE 2017-10-23
CUSTOMER ALTW	APPROVED BY Kevin Hu	DATE 2017-10-23

THIS DOCUMENT IS SUBJECT TO CHANGE WITHOUT NOTICE. IT IS CONFIDENTIAL AND A PROPERTY OF Amphenol LTW. DISCLOSURE TO THIRD PARTY HAS TO BE AUTHORIZED BY Amphenol LTW.



M 12A - XX P F F R - S F 8 XXX

12A: A-Code

03: 3Pin  
04: 4Pin  
05: 5Pin

P: Panel (板端)

F: Female Connector (母座)

001: PG9  
002: M16

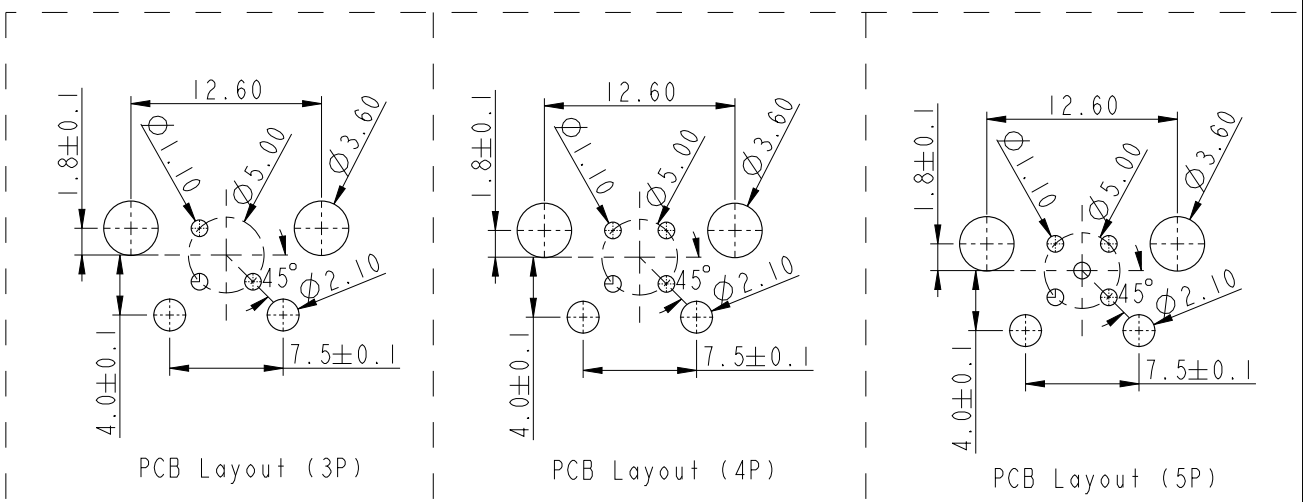
8: IP68 (防水等級68)

F: Front Fasten (前鎖式/Enclosure Rear Mount)

S: Screw (螺紋式)

R: 90° PCB THT/DIP Type (90° 基板插件式)

F: Female Pin (母Pin)



UNIT: mm		
TOLERANCE	.X	±0.25
	.XX	±0.1
	.XXX	±0.05
ANGLES		±1°

TITLE MI2 90° PANEL FCONN FPIN			
SCALE	3:2	SIZE	A4
SHEET	2	OF	2
REV.	B	WC-REV.	A.2
Inspection item			

**Amphenol LTW**  
安費諾亮泰企業股份有限公司

ITEM NO	
DWG NO	M12A-XXPFFR-SF8XXX
CUSTOMER	ALTW

DRAWN BY	Frank Deng
CHECKED BY	Fisher Wang
APPROVED BY	Kevin Hu

DATE	2017-10-23
DATE	2017-10-23
DATE	2017-10-23

## X-ON Electronics

Largest Supplier of Electrical and Electronic Components

*Click to view similar products for [Circular Metric Connectors](#) category:*

*Click to view products by [Amphenol](#) manufacturer:*

Other Similar products are found below :

[600X518037X](#) [6STD15PCR99B70A](#) [8R4000A16M020](#) [8R5000A16M005](#) [1200910002](#) [1203580030](#) [1200910008](#) [1200910011](#) [1300140094](#)  
[130203-0054](#) [1300140026](#) [1300150099](#) [1-3637-600-5205](#) [1612618](#) [21036836414](#) [8R4006A16M010](#) [1R3006A20M005](#) [41-40011](#) [42-00006](#)  
[42-01015](#) [4-22279-4](#) [4-22281-1](#) [4-22284-9](#) [43-00113](#) [43-01203](#) [41-40013](#) [42-00008](#) [43-00343](#) [43-01026](#) [43-01162](#) [43-01173](#) [43-10000](#)  
[XS3P-M421-2](#) [600X518050X](#) [8R5006A16M020](#) [8R5006A16M005](#) [8R4000A16M010](#) [6-22279-3](#) [1605332](#) [N03FA03144](#) [1300140077](#) [43-](#)  
[16213](#) [43-01338](#) [XS2RD4265](#) [XS2R-D426-1](#) [XS8A-0441](#) [859RD04-103R004](#) [860RD04-113R004](#) [860RD04-213R004](#) [1-213245-2](#)