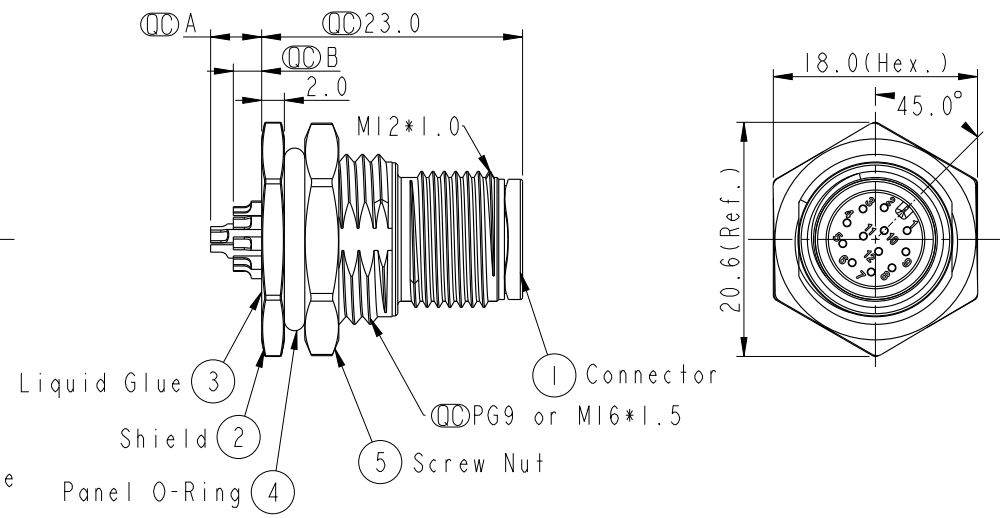
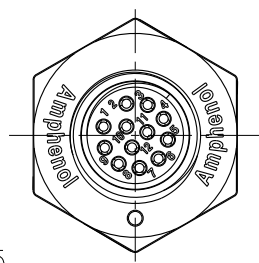
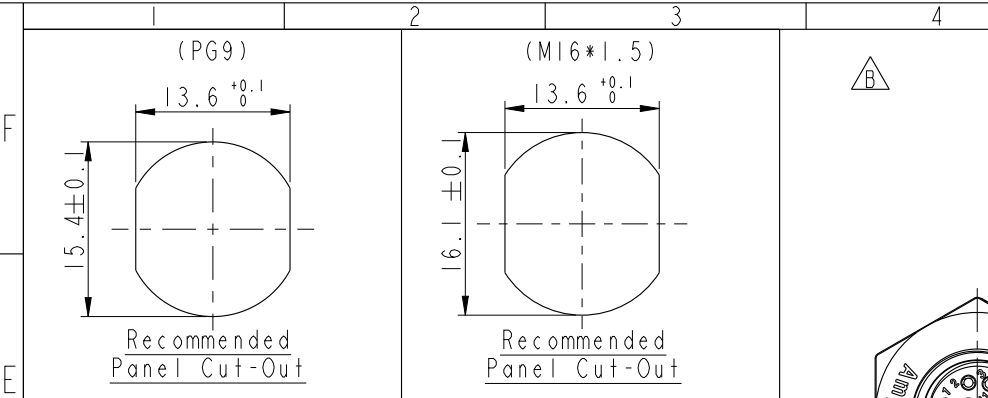


THIS DOCUMENT IS SUBJECT TO CHANGE WITHOUT NOTICE. IT IS CONFIDENTIAL AND A PROPERTY OF Amphenol LTW. DISCLOSURE TO THIRD PARTY HAS TO BE AUTHORIZED BY Amphenol LTW.

REV.	ECN NO.	DATE	SIGN	DESCRIPTION
B	LEN1570179~186 LE31570175~178	2015/07/18	Yulong_wang	Change to Share Drawing.
C	LEN1680931~942	2016/08/08	Yulong_wang	Add 6Pin & IP69K.



M I2A - XX P M M S - S F 8 XXX

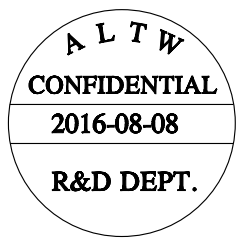
12A: A-Code

03: 3Pin
04: 4Pin
05: 5Pin
06: 6Pin \triangle
08: 8Pin
10: 10Pin
12: 12Pin

P: Panel (板端)
M: Male Connector (公座)

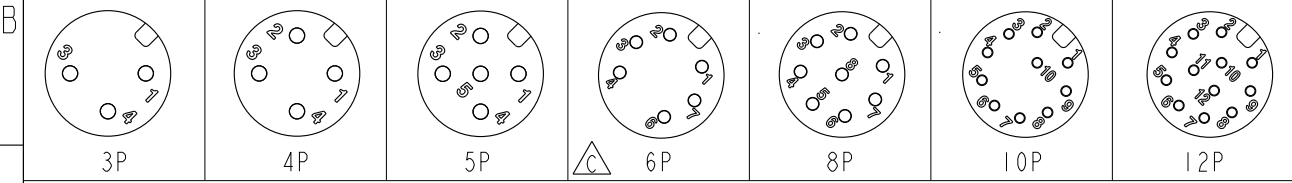
001: PG9
002: M16*1.5
8: IP68/69K (防水等級68/69K) \triangle
F: Front Fasten (前鎖式/Enclosure Rear Mount)
S: Screw (螺紋式)
S: Solder Type (焊接式)
M: Male Pin (公Pin)

M12A-03PMMS-SF8XXX		2.5
M12A-04PMMS-SF8XXX		2.5
M12A-05PMMS-SF8XXX		2.5
M12A-06PMMS-SF8XXX		2.5
M12A-08PMMS-SF8XXX		2.5
M12A-10PMMS-SF8XXX	4.5	2.5
M12A-12PMMS-SF8XXX	4.5	2.5
Item No.	A	B
	Pin伸出長度	



Note:

- * \odot Important Dimension.
- * \triangle Waterproof Rate: IP68, IP69K.
- * Housing: Nylon+GF, Black.
- * Male Pin: Copper Alloy, Gold Plated.
- * Shield: Zinc Alloy, Nickel Plated.
- * Screw Nut: Zinc Alloy, Nickel Plated.
- * Panel O-Ring: Viton, Black.
- * Rated Voltage: 3 & 4Pin 250V dc. or ac.
5Pin 60V dc. or ac.
6~12Pin 30V dc. or ac.
- * Rated Current: 3~5Pin 4A
6~8Pin 2A
10~12Pin 1.5A
- * Operating Temperature: -40~105°C
- * For Panel Thickness Max 4.5mm.
- * Recommended Nut Torque: 4-6 Kgf.cm.



Pin Assignment Front View

UNIT: mm	TOLERANCE	SCALE	SIZE	SHEET	OF
	.X ±0.25 .XX ±0.1 .XXX ±0.05 ANGLES ±1°	3:2	A4	1	1
		REV. C	WC-REV. A.6	\odot : Inspection item	

Amphenol LTW
安費諾亮泰企業股份有限公司

ITEM NO.	DRAWN BY	DATE
	Yulong_wang	2016-08-08
DWG NO.	CHECKED BY	DATE
M12A-XXPMMS-SF8XXX	Jinhai	2016-08-08
CUSTOMER	APPROVED BY	DATE
ALTW	Jerry	2016-08-08

X-ON Electronics

Largest Supplier of Electrical and Electronic Components

Click to view similar products for [Sensor Cables / Actuator Cables](#) category:

Click to view products by [Amphenol](#) manufacturer:

Other Similar products are found below :

[60963](#) [60964](#) [703000D02F2002](#) [703001D02F0602](#) [703001D02F300](#) [704000D02F120](#) [773032K02F030](#) [802027107404-1](#) [802027213811-1](#)
[804001A09M150](#) [805001A09M0502](#) [84914-0235](#) [84914-0237](#) [885030A09M020](#) [8R4J30E03C3003](#) [1200651332](#) [1200651713](#) [1200660844](#)
[1200660845](#) [1200661173](#) [1200680071](#) [1200720053](#) [1200720081](#) [1200720099](#) [1200720217](#) [1200800231](#) [1200860125](#) [1200870123](#)
[1200980102](#) [1200650267](#) [1200650298](#) [1200660183](#) [1200660782](#) [1200660849](#) [1200661295](#) [1200661297](#) [1200661342](#) [1200661343](#)
[1200670080](#) [1200670220](#) [1200680331](#) [1200720252](#) [1200730184](#) [1200860344](#) [1200870359](#) [1200870643](#) [1200980008](#) [1200980031](#)
[1210502211](#) [1210400542](#)