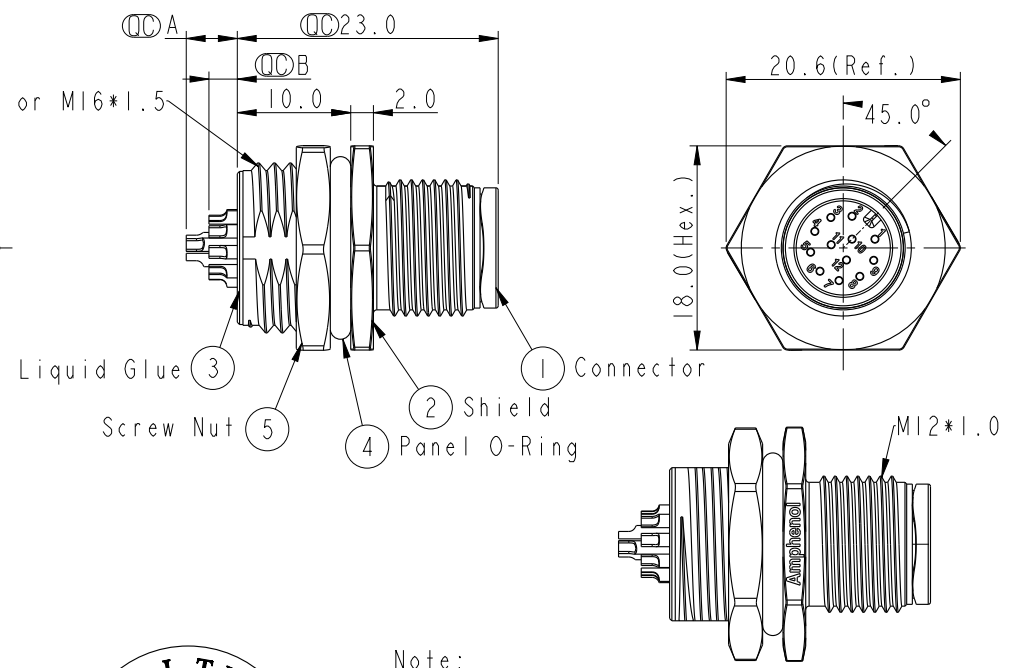
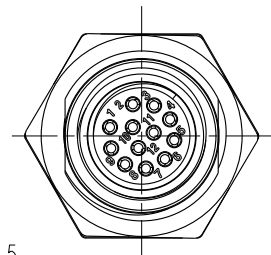
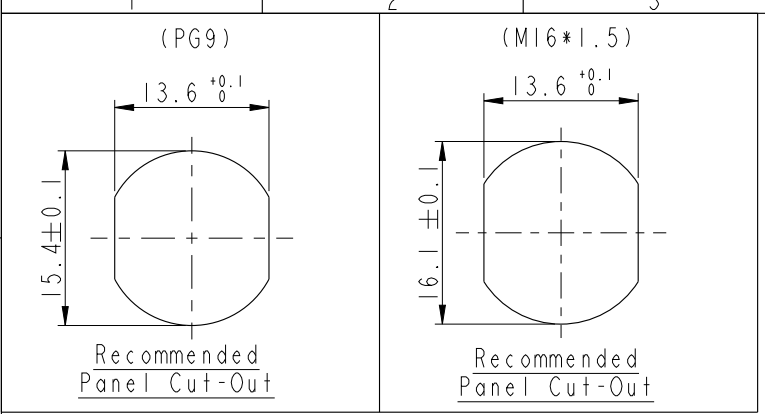


THIS DOCUMENT IS SUBJECT TO CHANGE WITHOUT NOTICE. IT IS CONFIDENTIAL AND A PROPERTY OF Amphenol LTW. DISCLOSURE TO THIRD PARTY HAS TO BE AUTHORIZED BY Amphenol LTW.

REV.	ECN NO.	DATE	SIGN	DESCRIPTION
B	LENI570187-194 LE31570179-182	2015/07/18	Yulong_wang	Change to Share Drawing.
C	LENI680378-389	2016/08/06	Yulong_wang	Add 6 PIN & IP69K



M I2A - XX P M M S - S H 8 XXX

I2A: A-Code

03: 3Pin  
04: 4Pin  
05: 5Pin  
06: 6Pin  
08: 8Pin  
10: 10Pin  
12: 12Pin

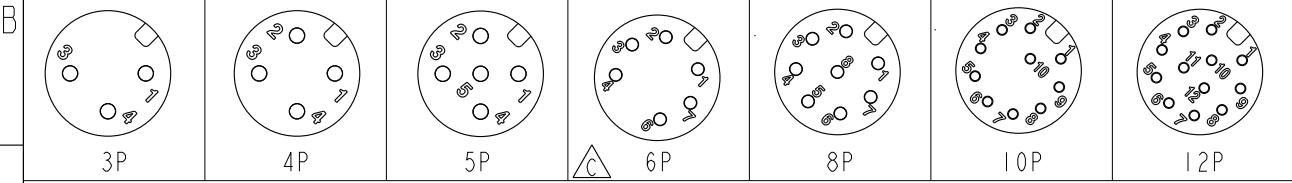
P: Panel (板端)  
M: Male Connector (公座)

001: PG9  
002: M16\*1.5

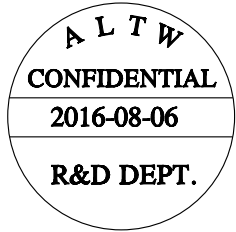
8: IP68/69K (防水等級68/69K)

H: Rear Fasten (后鎖式/Enclosure Front Mount)  
S: Screw (螺紋式)  
S: Solder Type (焊接式)  
M: Male Pin (公Pin)

M12A-03PMMS-SH8XXX		2.5
M12A-04PMMS-SH8XXX		2.5
M12A-05PMMS-SH8XXX		2.5
M12A-06PMMS-SH8XXX		2.5
M12A-08PMMS-SH8XXX		2.5
M12A-10PMMS-SH8XXX	4.5	2.5
M12A-12PMMS-SH8XXX	4.5	2.5
Item No.	A	B
	Pin伸出長度	



Pin Assignment Front View



Note:

- \*  $\varnothing$  Important Dimension.
- \*  $\triangle$  Waterproof Rate: IP68, IP69K
- \* Housing: Nylon+GF, Black.
- \* Male Pin: Copper Alloy, Gold Plated.
- \* Shield: Zinc Alloy, Nickel Plated.
- \* Screw Nut: Zinc Alloy, Nickel Plated.
- \* Panel O-Ring: Viton, Black.
- \* Rated Voltage: 3 & 4Pin 250V dc. or ac.  
5Pin 60V dc. or ac.  
6~12Pin 30V dc. or ac.
- \* Rated Current: 3~5Pin 4A  
6~8Pin 2A  
10~12Pin 1.5A
- \* Operating Temperature: -40~105°C
- \* For Panel Thickness Max 4.5mm.
- \* Recommended Nut Torque: 4-6 Kgf.cm.

UNIT: mm		TITLE	M12 A-Code Male Conn. Solder Rear Type		
TOLERANCE	.X ±0.25 .XX ±0.1 .XXX ±0.05 ANGLES ±1°	SCALE	2:1	SIZE	A4
		REV.	C	WC-REV.	A.7
				$\varnothing$	Inspection item

**Amphenol LTW**  
安費諾亮泰企業股份有限公司

ITEM NO.	DRAWN BY	DATE
	Yulong_wang	2016-08-06
DWG NO.	CHECKED BY	DATE
M12A-XXPMMS-SH8XXX	Jinhai	2016-08-06
CUSTOMER	APPROVED BY	DATE
ALTW	Jerry	2016-08-06

## X-ON Electronics

Largest Supplier of Electrical and Electronic Components

*Click to view similar products for [Sensor Cables / Actuator Cables](#) category:*

*Click to view products by [Amphenol](#) manufacturer:*

Other Similar products are found below :

[60963](#) [60964](#) [703000D02F2002](#) [703001D02F0602](#) [703001D02F300](#) [704000D02F120](#) [773032K02F030](#) [802027107404-1](#) [802027213811-1](#)  
[804001A09M150](#) [805001A09M0502](#) [84914-0235](#) [84914-0237](#) [885030A09M020](#) [8R4J30E03C3003](#) [1200651332](#) [1200651713](#) [1200660844](#)  
[1200660845](#) [1200661173](#) [1200680071](#) [1200720053](#) [1200720081](#) [1200720099](#) [1200720217](#) [1200800231](#) [1200860125](#) [1200870123](#)  
[1200980102](#) [1200650267](#) [1200650298](#) [1200660183](#) [1200660782](#) [1200660849](#) [1200661295](#) [1200661297](#) [1200661342](#) [1200661343](#)  
[1200670080](#) [1200670220](#) [1200680331](#) [1200720252](#) [1200730184](#) [1200860344](#) [1200870359](#) [1200870643](#) [1200980008](#) [1200980031](#)  
[1210502211](#) [1210400542](#)