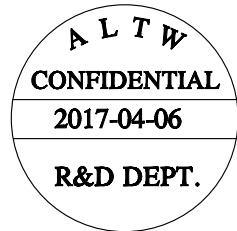
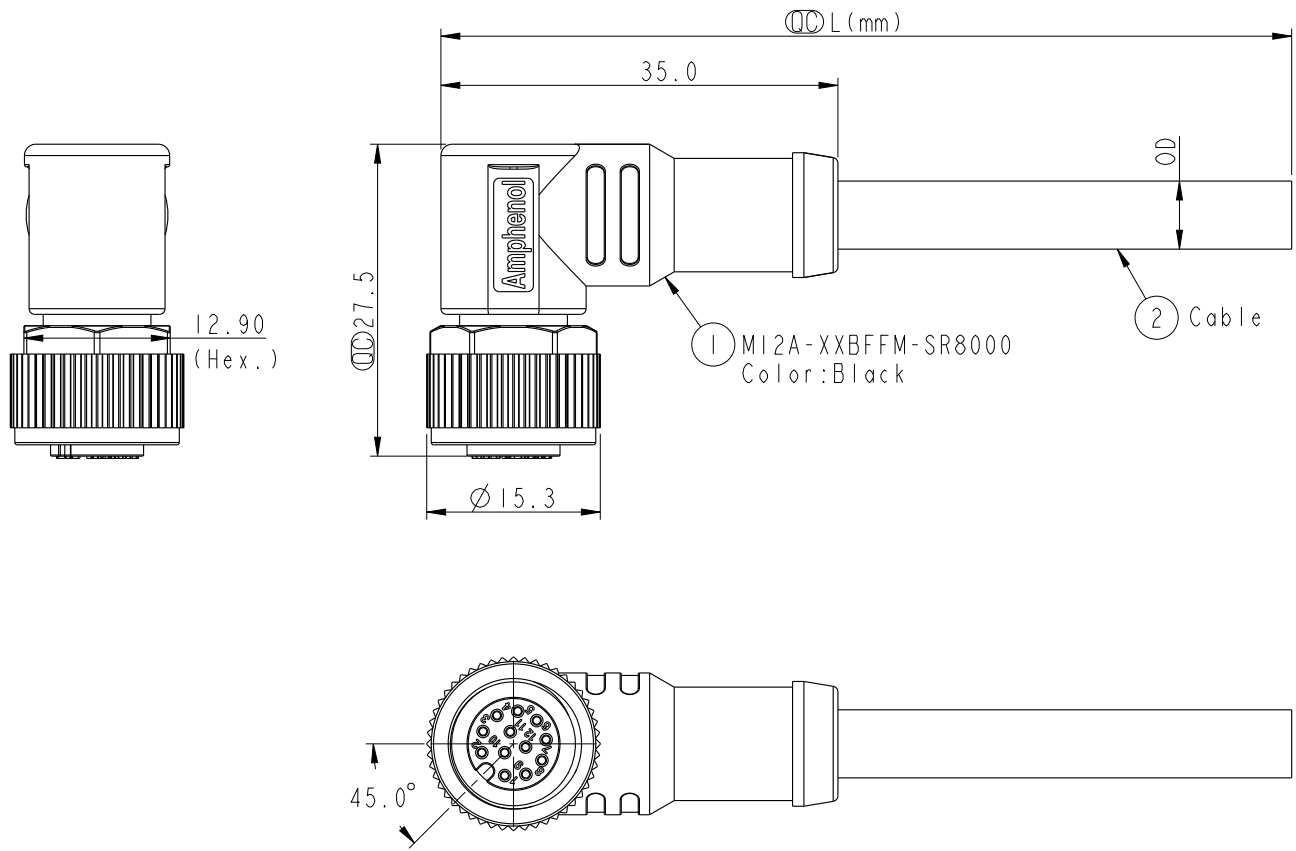


REV.	ECN NO.	DATE	SIGN	DESCRIPTION
B	LEN1580142 ~153	2015/08/10	Feng_Li	Add Black PVC Cable
C	LEN1680662~679	2016/08/13	Yulong_wang	Add 6Pin & IP69K.
D	LEN1750097~102	2017/04/06	Lingpeng	Change The Cable OD



Notes:

- * \varnothing Important Dimension.
- $\triangle C$ * Waterproof Rate: IP68, IP69K.
- * Connector: PU+GF, Black.
- * Female Pin: Copper Alloy, Gold Plated.
- * Screw Nut: Zinc Alloy, Nickel Plated.
- * Outer Mold: PU, Black.
- $\triangle B$ * Cable: (A) UL2517, PVC Jacket, Yellow.
(B) UL20549, PUR Jacket, Black.
(D) UL2517, PVC Jacket, Black.
- * Rated Voltage: 3 & 4Pin 250V dc. or ac.
5Pin 60V dc. or ac.
6~12Pin 30V dc. or ac.
- * Rated Current: 3~5Pin 4A
6~8Pin 2A
10~12Pin 1.5A
- * Operating Temperature: -25~85°C
- * Cable Length Tolerance: 01M:±40mm
02M~05M:±60mm
06M~10M:±100mm
11M~30M:±200mm
31M~99M:±500mm

UNIT: mm		
TOLERANCE		
±0.5mm		

TITLE		
M12 A Type Cable 90° Female Conn.		
SCALE	SIZE	SHEET OF
3:2	A4	1 OF 3
REV.	WC-REV.	\varnothing : Inspection item
D	A.2	

Amphenol LTW
安費諾亮泰企業股份有限公司

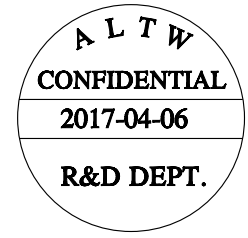
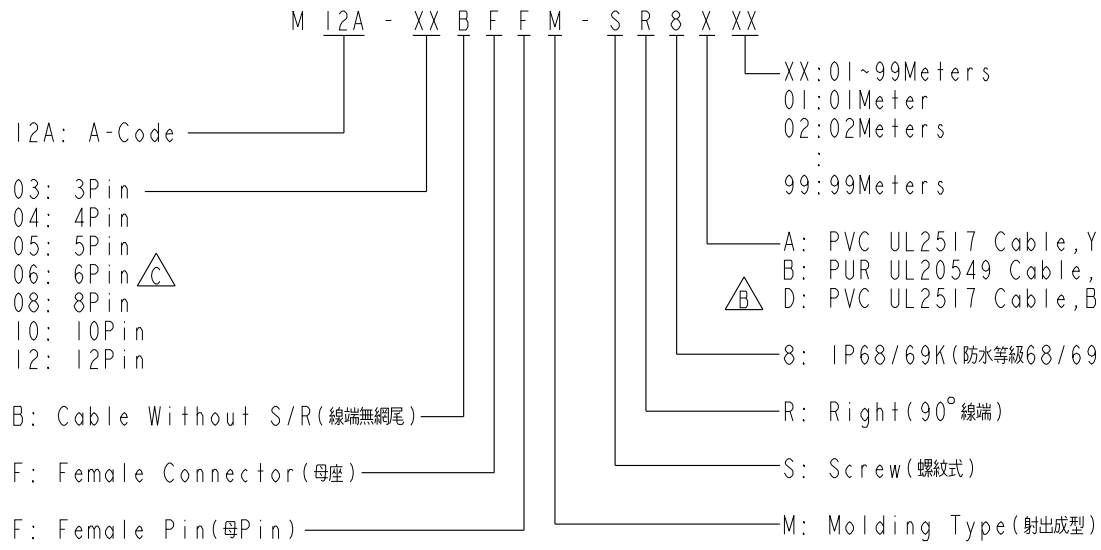
ITEM NO	DRAWN BY	DATE
	Lingpeng	2017-04-06
DWG NO	CHECKED BY	DATE
M12A-XXBFFM-SR8XXX	Ma Fei	2017-04-06
CUSTOMER	APPROVED BY	DATE
ALTW	Jerry	2017-04-06

THIS DOCUMENT IS SUBJECT TO CHANGE WITHOUT NOTICE. IT IS CONFIDENTIAL AND A PROPERTY OF Amphenol LTW. DISCLOSURE TO THIRD PARTY HAS TO BE AUTHORIZED BY Amphenol LTW.

THIS DOCUMENT IS SUBJECT TO CHANGE WITHOUT NOTICE. IT IS CONFIDENTIAL AND A PROPERTY OF Amphenol LTW. DISCLOSURE TO THIRD PARTY HAS TO BE AUTHORIZED BY Amphenol LTW.

1 2 3 4 5 6 7 8

△B	12P	PVC	6.0	26	M12A-12BFFM-SR8DXX	
	10P				M12A-10BFFM-SR8DXX	
△C	8P		5.5	24	M12A-08BFFM-SR8DXX	
	6P				M12A-06BFFM-SR8DXX	
	5P		5.1	22	M12A-05BFFM-SR8DXX	
	4P				M12A-04BFFM-SR8DXX	
	3P				M12A-03BFFM-SR8DXX	
	12P				M12A-12BFFM-SR8BXX	
△D	10P		PUR	6.0	26	M12A-10BFFM-SR8BXX
	8P					M12A-08BFFM-SR8BXX
△C	6P	5.0		24	M12A-06BFFM-SR8BXX	
	5P				M12A-05BFFM-SR8BXX	
△D	4P	4.4		22	M12A-04BFFM-SR8BXX	
	3P				M12A-03BFFM-SR8BXX	
	12P	6.0		26	M12A-12BFFM-SR8AXX	
	10P				M12A-10BFFM-SR8AXX	
	8P				M12A-08BFFM-SR8AXX	
	6P				M12A-06BFFM-SR8AXX	
△C	5P	5.1	22	M12A-05BFFM-SR8AXX		
	4P			M12A-04BFFM-SR8AXX		
	3P	4.8		M12A-03BFFM-SR8AXX		
	3P	4.5		M12A-03BFFM-SR8AXX		
Contacts	Cable Jacket	Cable OD	AWG	Item No.		



UNIT:mm		TITLE
TOLERANCE	±0.5mm	M12 A Type Cable 90° Female Conn.
SCALE	3:2	SIZE A4
REV.	D	WC-REV. A.2
		◎◎: Inspection item

Amphenol LTW
安費諾亮泰企業股份有限公司

ITEM NO	DRAWN BY	DATE
DWG NO	CHECKED BY	DATE
CUSTOMER	APPROVED BY	DATE
ALTW	Lingpeng	2017-04-06
	Ma Fei	2017-04-06
	Jerry	2017-04-06

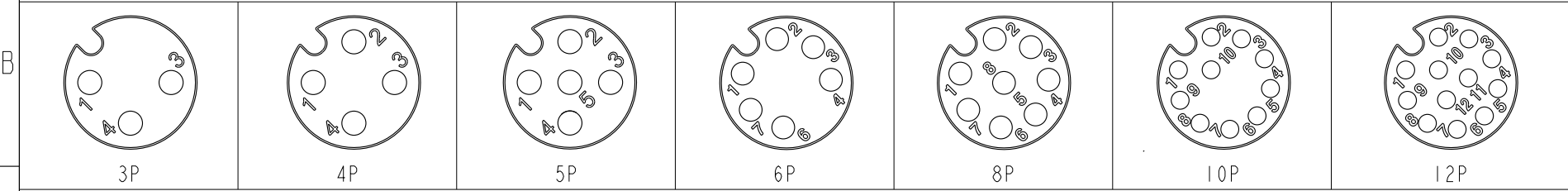
1 2 3 4 5 6 7 8 FMN10702-01-02A1



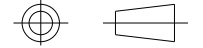
--	--	--	--	--	--	--	--

5 --	5 --	5 Gray	8 --	8 Red	12 --	12 Red/Blue	紅/藍
4 Black	4 Black	4 Black	7 Blue	7 Blue	11 --	11 Gray/Pink	灰/粉
3 Blue	3 Blue	3 Blue	6 Pink	6 Pink	10 Violet	10 Violet	紫
2 --	2 White	2 White	5 --	5 Gray	9 Black	9 Black	黑
1 Brown	1 Brown	1 Brown	4 Yellow	4 Yellow	8 Red	8 Red	紅
			3 Green	3 Green	7 Blue	7 Blue	藍
			2 Brown	2 Brown	6 Pink	6 Pink	粉
			1 White	1 White	5 Gray	5 Gray	灰
					4 Yellow	4 Yellow	黃
					3 Green	3 Green	綠
					2 Brown	2 Brown	棕
					1 White	1 White	白
Pin #	Wire	Wire	Wire	Wire	Wire	Wire	Wire

Pin Out



Pin Assignments Front View

UNIT:mm		TITLE M12 A Type Cable 90° Female Conn.	<h1>Amphenol LTW</h1>	ITEM NO	DRAWN BY Lingpeng	DATE 2017-04-06
TOLERANCE ±0.5mm		SCALE 3:2	<h2>安費諾亮泰企業股份有限公司</h2>	DWG NO M12A-XXBFFM-SR8XXX	CHECKED BY Ma Fei	DATE 2017-04-06
		SIZE A4		CUSTOMER ALTW	APPROVED BY Jerry	DATE 2017-04-06
		SHEET 3 OF 3				
		REV. D				
		WC-REV. A.2				
		☉: Inspection item				

X-ON Electronics

Largest Supplier of Electrical and Electronic Components

Click to view similar products for [Sensor Cables / Actuator Cables](#) category:

Click to view products by [Amphenol](#) manufacturer:

Other Similar products are found below :

[60963](#) [60964](#) [M83513/19-F01CP](#) [703000D02F2002](#) [703001D02F0602](#) [703001D02F300](#) [704000D02F120](#) [773032K02F030](#) [802027107404-1](#)
[802027213811-1](#) [804001A09M150](#) [805001A09M0502](#) [84914-0235](#) [84914-0237](#) [885030A09M020](#) [8R4J30E03C3003](#) [1200651332](#)
[1200651713](#) [1200660844](#) [1200660845](#) [1200661173](#) [1200680071](#) [1200720053](#) [1200720081](#) [1200720099](#) [1200720217](#) [1200800231](#)
[1200860125](#) [1200870123](#) [1200980102](#) [1200650267](#) [1200650298](#) [1200660183](#) [1200660782](#) [1200660849](#) [1200661295](#) [1200661297](#)
[1200661342](#) [1200661343](#) [1200670080](#) [1200670220](#) [1200680331](#) [1200720252](#) [1200730184](#) [1200860344](#) [1200870359](#) [1200870643](#)
[1200980008](#) [1200980031](#) [1210502211](#)