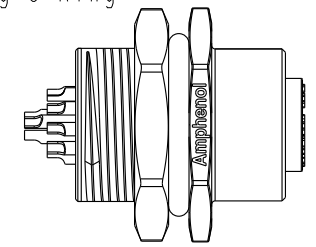
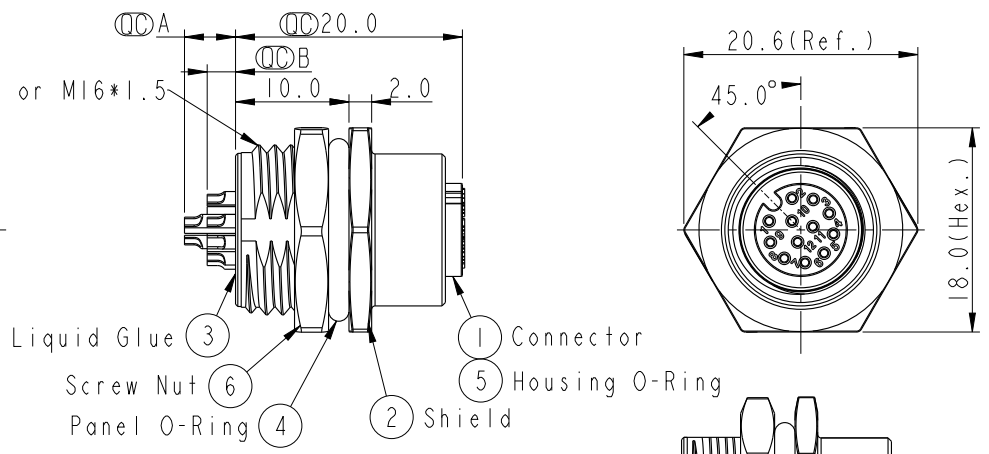
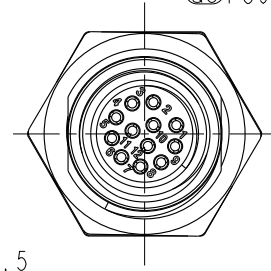
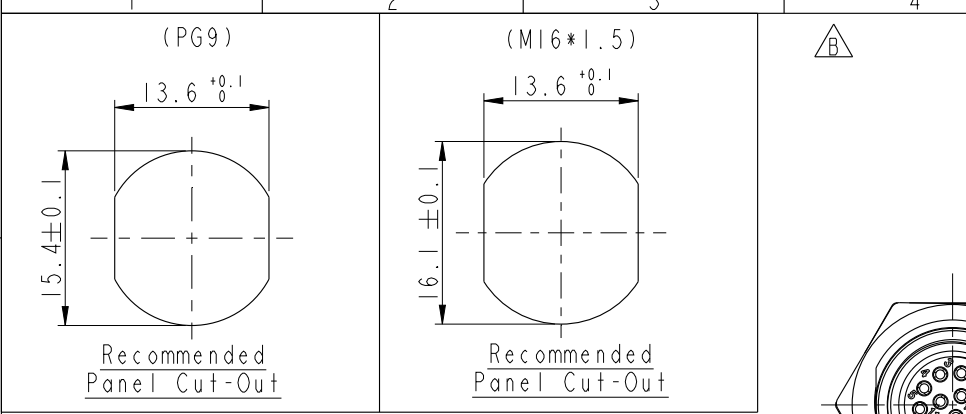


THIS DOCUMENT IS SUBJECT TO CHANGE WITHOUT NOTICE. IT IS CONFIDENTIAL AND A PROPERTY OF Amphenol LTW. DISCLOSURE TO THIRD PARTY HAS TO BE AUTHORIZED BY Amphenol LTW.

REV.	ECN NO.	DATE	SIGN	DESCRIPTION
B	LEN1570211-218 LE31570192-195	2015/07/17	Yulong_wang	Change to Share Drawing.
C	LEN1680919-930	2016/08/05	Yulong_wang	Add 6Pin & IP69K



M 12A - XX P F F S - S H 8 XXX

12A: A-Code

03: 3Pin
04: 4Pin
05: 5Pin
06: 6Pin \triangle
08: 8Pin
10: 10Pin
12: 12Pin

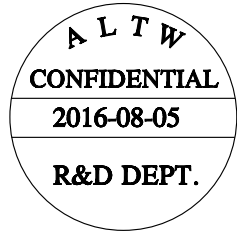
P: Panel (板端)
F: Female Connector (母座)
S: Solder Type (焊接式)
F: Female Pin (母Pin)

001: PG9
002: M16*1.5

8: IP68/69K (防水等級68/69K) \triangle

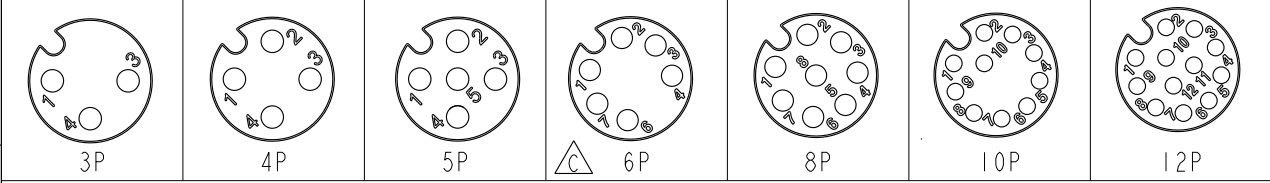
H: Rear Fasten (后鎖式/Enclosure Front Mount)
S: Screw (螺紋式)
S: Solder Type (焊接式)
F: Female Pin (母Pin)

M12A-03PFFS-SH8XXX		2.5
M12A-04PFFS-SH8XXX		2.5
M12A-05PFFS-SH8XXX		2.5
M12A-06PFFS-SH8XXX		2.5
M12A-08PFFS-SH8XXX		2.5
M12A-10PFFS-SH8XXX	4.5	2.5
M12A-12PFFS-SH8XXX	4.5	2.5
Item No.	A	B
	Pin伸出長度	



Note:

- * \odot Important Dimension.
- * \triangle Waterproof Rate: IP68, IP69K
- * Housing: Nylon+GF, Black.
- * Female Pin: Copper Alloy, Gold Plated.
- * Shield: Zinc Alloy, Nickel Plated.
- * Screw Nut: Zinc Alloy, Nickel Plated.
- * Panel O-Ring: Viton, Black.
- * Housing O-Ring: Viton, Green.
- * Rated Voltage: 3 & 4Pin 250V dc. or ac.
5Pin 60V dc. or ac.
6~12Pin 30V dc. or ac.
- * Rated Current: 3~5Pin 4A
6~8Pin 2A
10~12Pin 1.5A
- * Operating Temperature: -40~105°C
- * For Panel Thickness Max 4.5mm.
- * Recommended Nut Torque: 4-6 Kgf.cm.



Pin Assignment Front View

UNIT: mm	TOLERANCE	SCALE	SIZE	SHEET	OF
	.X ±0.25 .XX ±0.1 .XXX ±0.05 ANGLES ±1°	3:2	A4	1	1
TITLE	M12 A-Code Female Conn. Solder Rear Type				
REV.	C	WC-REV.	A.5	\odot : Inspection item	

Amphenol LTW
安費諾亮泰企業股份有限公司

ITEM NO.	DRAWN BY	DATE
	Yulong_wang	2016-08-05
DWG NO.	CHECKED BY	DATE
M12A-XXPFFS-SH8XXX	Jinhai	2016-08-05
CUSTOMER	APPROVED BY	DATE
ALTW	Jerry	2016-08-05

X-ON Electronics

Largest Supplier of Electrical and Electronic Components

Click to view similar products for [Circular Metric Connectors](#) category:

Click to view products by [Amphenol](#) manufacturer:

Other Similar products are found below :

[600X518037X](#) [6STD15PCR99B70A](#) [8R4000A16M020](#) [8R5000A16M005](#) [1200910002](#) [1203580030](#) [1200910008](#) [1200910011](#) [1300140094](#)
[130203-0054](#) [1300140026](#) [1300150099](#) [1-3637-600-5205](#) [1612618](#) [21036836414](#) [8R4006A16M010](#) [1R3006A20M005](#) [41-40011](#) [42-00006](#)
[42-01015](#) [4-22279-4](#) [4-22281-1](#) [4-22284-9](#) [43-00113](#) [43-01203](#) [41-40013](#) [42-00008](#) [43-00343](#) [43-01026](#) [43-01162](#) [43-01173](#) [43-10000](#)
[XS3P-M421-2](#) [600X518050X](#) [8R5006A16M020](#) [8R5006A16M005](#) [8R4000A16M010](#) [6-22279-3](#) [1605332](#) [N03FA03144](#) [1300140077](#) [43-](#)
[16213](#) [43-01338](#) [XS2RD4265](#) [XS2R-D426-1](#) [XS8A-0441](#) [859RD04-103R004](#) [860RD04-113R004](#) [860RD04-213R004](#) [1-213245-2](#)