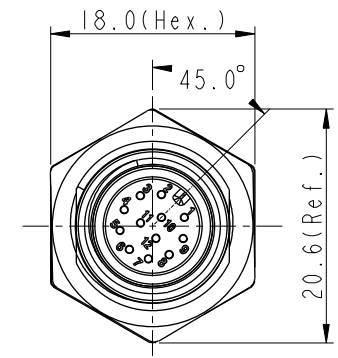
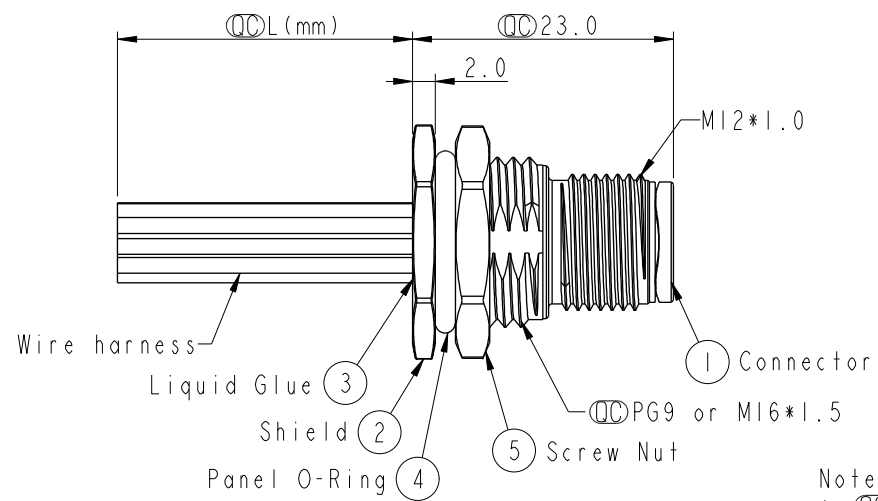
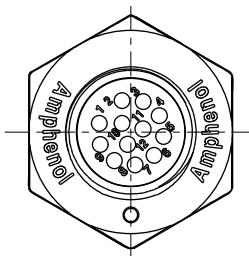


THIS DOCUMENT IS SUBJECT TO CHANGE WITHOUT NOTICE. IT IS CONFIDENTIAL AND A PROPERTY OF Amphenol LTW. DISCLOSURE TO THIRD PARTY HAS TO BE AUTHORIZED BY Amphenol LTW.

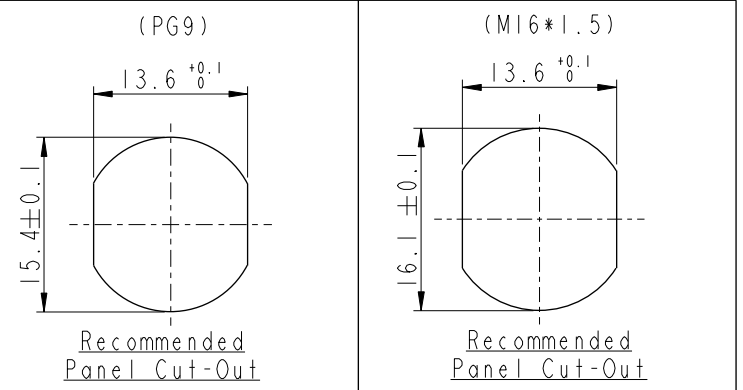
REV.	ECN NO.	DATE	SIGN	DESCRIPTION
B	LE31570252-261	2015/07/23	Yulong_wang	Change to Share Drawing.
C	LEN1680569-580 LEN1680598-603	2016/08/08	Yulong_wang	Add 6Pin & IP69K.
D	E191630	2019/09/19	Ruru	Update Wire Tolerance

△



A L T W  
CONFIDENTIAL  
2019-09-19  
R&D DEPT.

- Notes:
- \* (QC) Important Dimension.
  - △ \* Waterproof Rate: IP68, IP69K.
  - \* Connector: Nylon+GF, Black.
  - \* Male Pin: Copper Alloy, Gold Plated.
  - \* Shield: Zinc Alloy, Nickel Plated.
  - \* Screw Nut: Zinc Alloy, Nickel Plated.
  - \* Panel O-Ring: Viton, Black.
  - \* Wire harness: ULI061
  - \* Rated Voltage: 3 & 4Pin 250V dc. or ac.  
5Pin 60V dc. or ac.  
6~12Pin 30V dc. or ac.
  - \* Rated Current: 3~5Pin 4A  
6~8Pin 2A  
10~12Pin 1.5A
  - \* Operating Temperature: -25~85°C
  - \* For Panel Thickness Max 4.5mm.
  - \* Nut Torque: 4~6 Kgf.cm.
  - △ \* Wire harness Tolerance: 150~300±15mm  
301~1000±20mm  
Over1000 ±50/-0mm



UNIT: mm		
TOLERANCE		
.X	±0.25	
.XX	±0.1	
.XXX	±0.05	
ANGLES	±1°	

TITLE M12 A-Code Male Conn. Panel Front With Wire harness		
SCALE 3:2	SIZE A4	SHEET 1 OF 2
REV. D	WC-REV. A.3	(QC): Inspection item

**Amphenol LTW**  
安費諾亮泰企業股份有限公司

ITEM NO	DRAWN BY Ruru	DATE 2019-09-19
DWG NO M12A-XXPMX-SF8XXX	CHECKED BY Rita	DATE 2019-09-19
CUSTOMER ALTW	APPROVED BY Max	DATE 2019-09-19

THIS DOCUMENT IS SUBJECT TO CHANGE WITHOUT NOTICE. IT IS CONFIDENTIAL AND A PROPERTY OF Amphenol LTW. DISCLOSURE TO THIRD PARTY HAS TO BE AUTHORIZED BY Amphenol LTW.

M 12A - XX P M M X - S F 8 X XX  $\triangle$

12A:A-Code

03:3Pin  
04:4Pin  
05:5Pin  
06:6Pin  $\triangle$   
08:8Pin  
10:10Pin  
12:12Pin

P:Panel(板端)  
M:Male Connector(公座)  
M:Male Pin(公Pin)  
C:Crimp Type(打端式)  
S:Solder Type(焊接式)

15:150mm  
20:200mm  
95:950mm  
Cable Pitch Unit=50mm

A0:1000mm  
A5:1500mm  
Cable Pitch Unit=100mm  
Wire Length (L):150~1500 mm

B:PG9  
C:M16\*1.5  
8:IP68/69K(防水等級68/69K)  $\triangle$

F:Front Fasten(前鑄式/Enclosure Rear Mount)  
S:Screw(螺紋式)

**ALTW**

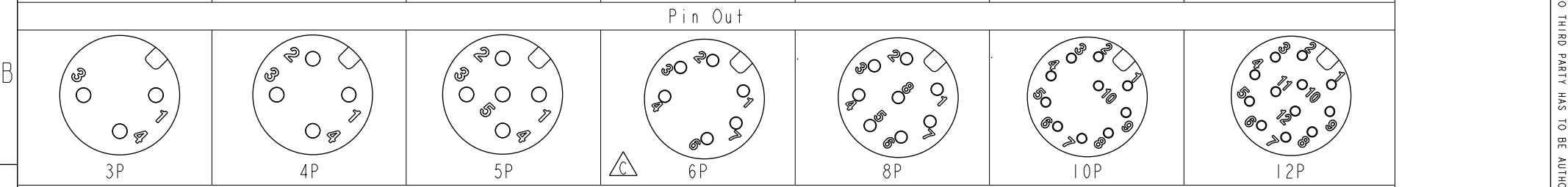
**CONFIDENTIAL**

**2019-09-19**

**R&D DEPT.**

	12P	UL1061		26	M12A-12PMMS-SF8CXX
	10P			24	M12A-10PMMS-SF8CXX
	8P			22	M12A-08PMMS-SF8CXX
	6P				M12A-06PMMS-SF8CXX
	5P			26	M12A-05PMMC-SF8CXX
	4P				M12A-04PMMC-SF8CXX
	3P			24	M12A-03PMMC-SF8CXX
	12P				M12A-12PMMS-SF8BXX
	10P			26	M12A-10PMMS-SF8BXX
	8P			24	M12A-08PMMS-SF8BXX
	6P		M12A-06PMMS-SF8BXX		
	5P		22	M12A-05PMMC-SF8BXX	
	4P			M12A-04PMMC-SF8BXX	
	3P		22	M12A-03PMMC-SF8BXX	

Pin #	Wire	Pin #	Wire	Pin #	Wire	Pin #	Wire	Pin #	Wire	Pin #	Wire	Pin #	Wire
5	--	5	--	5	Gray 灰	5	Gray 灰	5	Gray 灰	5	Gray 灰	5	Gray 灰
4	Black 黑	4	Black 黑	4	Black 黑	4	Black 黑	4	Black 黑	4	Black 黑	4	Black 黑
3	Blue 藍	3	Blue 藍	3	Blue 藍	3	Blue 藍	3	Blue 藍	3	Blue 藍	3	Blue 藍
2	--	2	White 白	2	White 白	2	White 白	2	White 白	2	White 白	2	White 白
1	Brown 棕	1	Brown 棕	1	Brown 棕	1	Brown 棕	1	Brown 棕	1	Brown 棕	1	Brown 棕



Pin Assignments Front View

UNIT:mm		TITLE M12 A-Code Male Conn. Panel Front With Wire harness	<b>Amphenol LTW</b> 安費諾亮泰企業股份有限公司	ITEM NO	DRAWN BY Ruru	DATE 2019-09-19
TOLERANCE .X ±0.25 .XX ±0.1 .XXX ±0.05 ANGLES ±1°	SCALE 3:2	SIZE A4	SHEET 2 OF 2	DWG NO M12A-XXPMMX-SF8XXX	CHECKED BY Rita	DATE 2019-09-19
REV. D	WC-REV. A.3	QC: Inspection item		CUSTOMER ALTW	APPROVED BY Max	DATE 2019-09-19

## X-ON Electronics

Largest Supplier of Electrical and Electronic Components

*Click to view similar products for [Circular Metric Connectors](#) category:*

*Click to view products by [Amphenol](#) manufacturer:*

Other Similar products are found below :

[600X518037X](#) [6STD15PCR99B70A](#) [8R4000A16M020](#) [8R5000A16M005](#) [1200910002](#) [1203580030](#) [1200910008](#) [1200910011](#) [1300140094](#)  
[130203-0054](#) [1300140026](#) [1300150099](#) [1-3637-600-5205](#) [1612618](#) [21036836414](#) [8R4006A16M010](#) [1R3006A20M005](#) [41-40011](#) [42-00006](#)  
[42-01015](#) [4-22279-4](#) [4-22281-1](#) [4-22284-9](#) [43-00113](#) [43-01203](#) [41-40013](#) [42-00008](#) [43-00343](#) [43-01026](#) [43-01162](#) [43-01173](#) [43-10000](#)  
[XS3P-M421-2](#) [600X518050X](#) [8R5006A16M020](#) [8R5006A16M005](#) [8R4000A16M010](#) [6-22279-3](#) [1605332](#) [N03FA03144](#) [1300140077](#) [43-](#)  
[16213](#) [43-01338](#) [XS2RD4265](#) [XS2R-D426-1](#) [XS8A-0441](#) [859RD04-103R004](#) [860RD04-113R004](#) [860RD04-213R004](#) [1-213245-2](#)