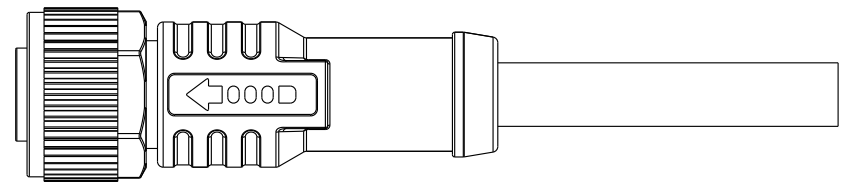
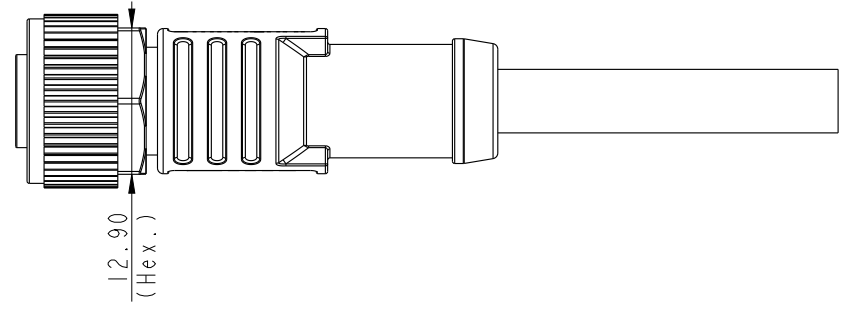
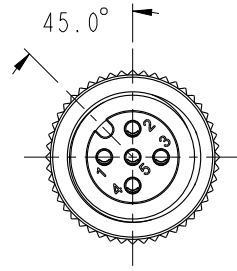
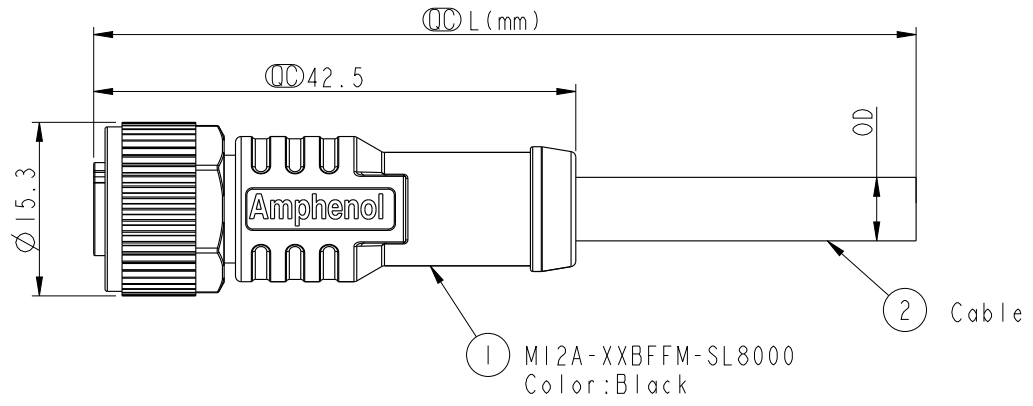


THIS DOCUMENT IS SUBJECT TO CHANGE WITHOUT NOTICE. IT IS CONFIDENTIAL AND A PROPERTY OF Amphenol LTW. DISCLOSURE TO THIRD PARTY HAS TO BE AUTHORIZED BY Amphenol LTW.

REV.	ECN NO.	DATE	SIGN	DESCRIPTION



- Notes:
- * \varnothing Important Dimension.
 - * Waterproof Rate: IP68, IP69K.
 - * Connector: Thermoplastic, Black
 - * Female Pin: Copper Alloy, Gold Plated.
 - * Screw Nut: Metal.
 - * Outer Mold: Thermoplastic, Black
 - * Cable: UL20549, TPU Jacket, Black. (High bending cable)
 - * Rated Voltage: 3 & 4Pin 250V dc. or ac.
5Pin 60V dc. or ac.
6~12Pin 30V dc. or ac.
 - * Rated Current: 3~5Pin 4A
6~8Pin 2A
10~12Pin 1.5A
 - * Operating Temperature: -20~80°C
 - * Cable Length Tolerance: 01M:±40mm
02M~05M:±60mm
06M~10M:±100mm
11M~30M:±200mm
31M~99M:±500mm

UNIT:mm		
TOLERANCE	±0.5mm	

TITLE MI2 A Type Cable Female Conn.			
SCALE 1:1	SIZE A4	SHEET 1 OF 2	
REV. A	WC-REV. .0	\varnothing : Inspection item	

Amphenol LTW
安費諾亮泰企業股份有限公司

ITEM NO	DRAWN BY Ouyang	DATE 2020-11-18
DWG NO MI2A-XXBFFM-SL8NXX	CHECKED BY Jerry	DATE 2020-11-18
CUSTOMER ALTW	APPROVED BY Fred	DATE 2020-11-18

THIS DOCUMENT IS SUBJECT TO CHANGE WITHOUT NOTICE. IT IS CONFIDENTIAL AND A PROPERTY OF Amphenol LTW. DISCLOSURE TO THIRD PARTY HAS TO BE AUTHORIZED BY Amphenol LTW.

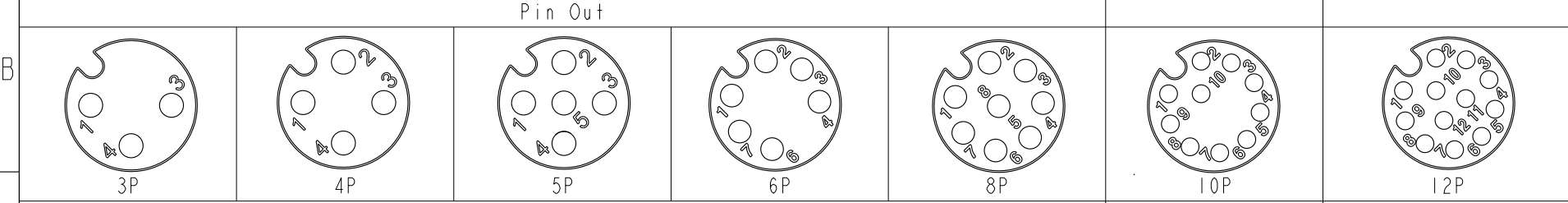
12P	TPU	6.2	26	M12A-12BFFM-SL8NXX
10P		6.0	26	M12A-10BFFM-SL8NXX
8P		6.7	24	M12A-08BFFM-SL8NXX
6P		5.5	24	M12A-06BFFM-SL8NXX
5P		5.6	22	M12A-05BFFM-SL8NXX
4P		5.4	22	M12A-04BFFM-SL8NXX
3P		5.2	20	M12A-03BFFM-SL8NXX
Contacts	Cable Jacket	Cable OD	AWG	Item No.

M12A-XXBFFM-SL8NXX

XX: No. Of Pin

XX: 01-99Meters
 01: 01Meter
 02: 02Meters
 .
 99: 99Meters

5 4 3 2 1	----- White 白 Blue 藍 ----- Brown 棕	5 4 3 2 1	----- orange 橘 Red 紅 Brown 棕 Black 黑	5 4 3 2 1	Yellow 黃 orange 橘 Red 紅 Brown 棕 Black 黑	8 7 6 5 4 3 2 1	----- Gray 灰 Yellow 黃 ----- Green 綠 White 白 Blue 藍 Brown 棕	8 7 6 5 4 3 2 1	Violet 紫 Blue 藍 Green 綠 Yellow 黃 orange 橘 Red 紅 Brown 棕 Black 黑	10 9 8 7 6 5 4 3 2 1	purple 紫 Black 黑 Red 紅 Pink 粉 Gray 灰 Yellow 黃 Green 綠 White 白 Blue 藍 Brown 棕	12 11 10 9 8 7 6 5 4 3 2 1	Red/Blue 紅/藍 Gray/Pink 灰/粉 purple 紫 Black 黑 Red 紅 Pink 粉 Gray 灰 Yellow 黃 Green 綠 White 白 Blue 藍 Brown 棕
Pin #	Wire	Pin #	Wire	Pin #	Wire	Pin #	Wire	Pin #	Wire	Pin #	Wire	Pin #	Wire



Pin Assignments Front View

UNIT:mm TOLERANCE ±0.5mm	 		TITLE M12 A Type Cable Female Conn.		<h1>Amphenol LTW</h1> 安費諾亮泰企業股份有限公司	ITEM NO	DRAWN BY	DATE
	SCALE 1:1		SIZE A4	SHEET 2 OF 2		DWG NO M12A-XXBFFM-SL8NXX	CHECKED BY Jerry	DATE 2020-11-18
	REV. A	WC-REV. .0	Inspection item			CUSTOMER ALTW	APPROVED BY Fred	DATE 2020-11-18

X-ON Electronics

Largest Supplier of Electrical and Electronic Components

Click to view similar products for [Sensor Cables / Actuator Cables](#) category:

Click to view products by [Amphenol](#) manufacturer:

Other Similar products are found below :

[60963](#) [60964](#) [M83513/19-F01CP](#) [703000D02F2002](#) [703000D02F300](#) [703001D02F0602](#) [703001D02F1201](#) [703001D02F300](#)
[704000D02F120](#) [773032K02F030](#) [802027107404-1](#) [802027213811-1](#) [804001A09M150](#) [805001A09M0502](#) [84914-0235](#) [84914-0237](#)
[885030A09M010](#) [885030A09M020](#) [8R4J30E03C3003](#) [1200651332](#) [1200651713](#) [1200660844](#) [1200660845](#) [1200661173](#) [1200680071](#)
[1200720053](#) [1200720081](#) [1200720099](#) [1200720217](#) [1200720537](#) [1200800231](#) [1200860125](#) [1200870123](#) [1200980102](#) [1200650298](#)
[1200660183](#) [1200660782](#) [1200660849](#) [1200661295](#) [1200661297](#) [1200661342](#) [1200661343](#) [1200670080](#) [1200670220](#) [1200680331](#)
[1200720252](#) [1200720255](#) [1200720597](#) [1200730184](#) [1200860344](#)