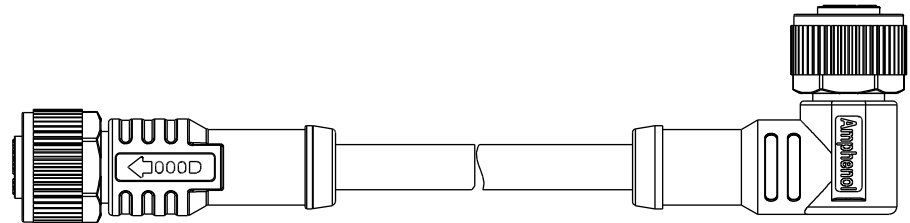
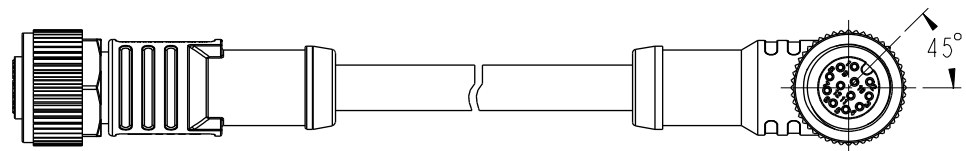
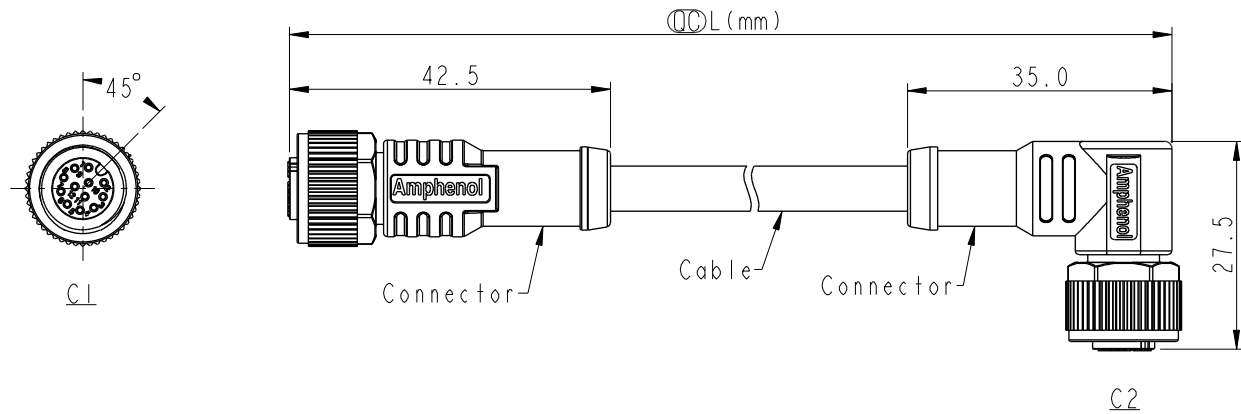


REV.	DESCRIPTION



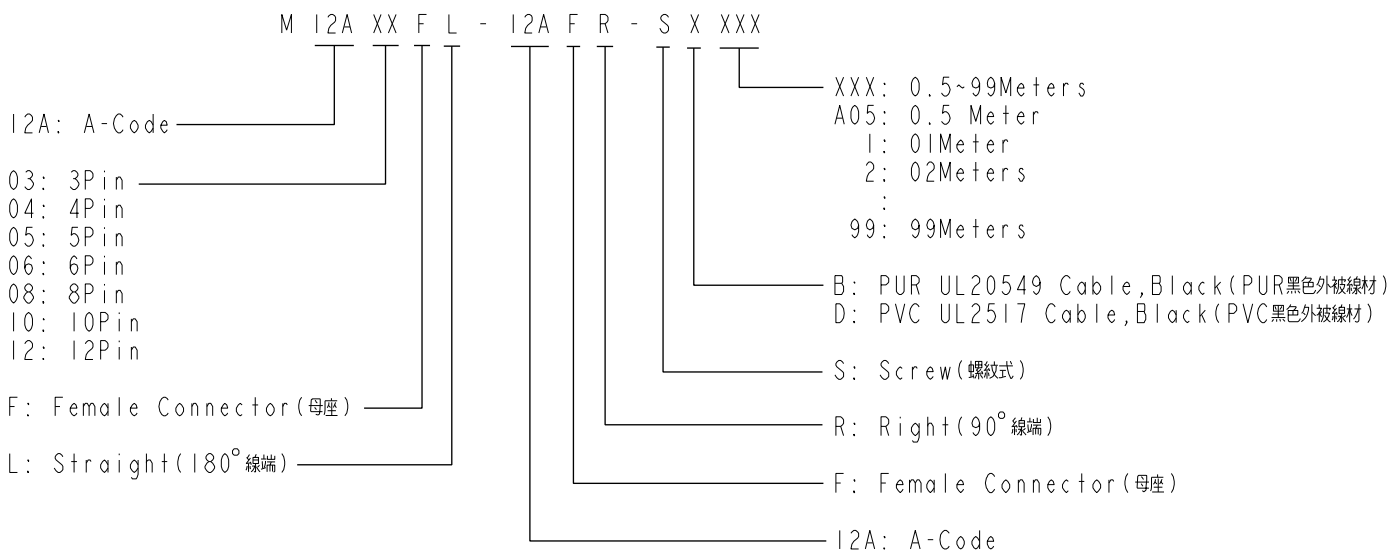
- Notes:
- * \varnothing Important Dimension.
 - * Waterproof Rate: IP68, IP69K.
 - * Connector: PU+GF, Black.
 - * Pin: Copper Alloy, Gold Plated.
 - * Screw Nut: Zinc Alloy, Nickel Plated.
 - * Outer Mold: PU, Black.
 - * Cable: (B) UL20549, PUR Jacket, Black.
(D) UL2517, PVC Jacket, Black.
 - * Rated Voltage: 3 & 4Pin 250V dc. or ac.
5Pin 60V dc. or ac.
6~12Pin 30V dc. or ac.
 - * Rated Current: 3~5Pin 4A
6~8Pin 2A
10~12Pin 1.5A
 - * Cable Length Tolerance: 0.5±20mm
01±40mm
02M~05M:±60mm
06M~10M:±100mm
11M~30M:±200mm
31M~99M:±500mm

UNIT:mm TOLERANCE ± 0.5 mm	TITLE MI2 A-Code Double Ended		Amphenol LTW 安費諾亮泰企業股份有限公司		ITEM NO	DRAWN BY Ruru	DATE 2018-12-04
	SCALE 1:2	SIZE A4			SHEET 1 OF 3	DWG NO MI2AXXFL-12AFR-SXXXX	CHECKED BY Rita
	REV. A	WC-REV. A.1	\varnothing : Inspection item	CUSTOMER ALTW	APPROVED BY Max	DATE 2018-12-04	

THIS DOCUMENT IS SUBJECT TO CHANGE WITHOUT NOTICE. IT IS CONFIDENTIAL AND A PROPERTY OF Amphenol LTW. DISCLOSURE TO THIRD PARTY HAS TO BE AUTHORIZED BY Amphenol LTW.

THIS DOCUMENT IS SUBJECT TO CHANGE WITHOUT NOTICE. IT IS CONFIDENTIAL AND A PROPERTY OF Amphenol LTW. DISCLOSURE TO THIRD PARTY HAS TO BE AUTHORIZED BY Amphenol LTW.

12P	PVC	6.0	26	MI2A12FL-12AFR-SDXXX
10P				MI2A10FL-12AFR-SDXXX
8P		5.5	24	MI2A08FL-12AFR-SDXXX
6P		5.0		MI2A06FL-12AFR-SDXXX
5P		5.1	22	MI2A05FL-12AFR-SDXXX
4P		4.8		MI2A04FL-12AFR-SDXXX
3P	4.5	MI2A03FL-12AFR-SDXXX		
12P	PUR	6.0	26	MI2A12FL-12AFR-SBXXX
10P				MI2A10FL-12AFR-SBXXX
8P		4.8	24	MI2A08FL-12AFR-SBXXX
6P		5.0		MI2A06FL-12AFR-SBXXX
5P		4.4	22	MI2A05FL-12AFR-SBXXX
4P		4.0		MI2A04FL-12AFR-SBXXX
3P	3.8	MI2A03FL-12AFR-SBXXX		
Contacts	Cable Jacket	Cable OD	AWG	Item No.



UNIT:mm

TOLERANCE ± 0.5 mm

TITLE MI2 A-Code Double Ended			
SCALE 1:2	SIZE A4	SHEET 2 OF 3	
REV. A	WC-REV. A.1	QC: Inspection item	

Amphenol LTW
安費諾亮泰企業股份有限公司

ITEM NO	DRAWN BY Ruru	DATE 2018-12-04
DWG NO MI2AXXFL-12AFR-SXXXX	CHECKED BY Rita	DATE 2018-12-04
CUSTOMER ALTW	APPROVED BY Max	DATE 2018-12-04

	1	2	3	4	5	6	7	8
Pin Out	5 --	5 --	5 Gray 灰	8 --	8 Red 紅	12 --	12 Red/Blue 紅/藍	12 Red/Blue 紅/藍
	4 Black 黑	4 Black 黑	4 Black 黑	7 Blue 藍	7 Blue 藍	11 --	11 Gray/Pink 灰/粉	11 Gray/Pink 灰/粉
	3 Blue 藍	3 Blue 藍	3 Blue 藍	6 Pink 粉	6 Pink 粉	10 Violet 紫	10 Violet 紫	10 Violet 紫
	2 --	2 White 白	2 White 白	5 --	5 Gray 灰	9 Black 黑	9 Black 黑	9 Black 黑
	1 Brown 棕	1 Brown 棕	1 Brown 棕	4 Yellow 黃	4 Yellow 黃	8 Red 紅	8 Red 紅	8 Red 紅
				3 Green 綠	3 Green 綠	7 Blue 藍	7 Blue 藍	7 Blue 藍
				2 Brown 棕	2 Brown 棕	6 Pink 粉	6 Pink 粉	6 Pink 粉
				1 White 白	1 White 白	5 Gray 灰	5 Gray 灰	5 Gray 灰
						4 Yellow 黃	4 Yellow 黃	4 Yellow 黃
						3 Green 綠	3 Green 綠	3 Green 綠
						2 Brown 棕	2 Brown 棕	2 Brown 棕
						1 White 白	1 White 白	1 White 白
	Pin # Wire	Pin # Wire	Pin # Wire	Pin # Wire	Pin # Wire	Pin # Wire	Pin # Wire	Pin # Wire
C2								
C1								

Pin Assignments Front View

UNIT:mm TOLERANCE ± 0.5 mm	TITLE MI2 A-Code Double Ended		<h1>Amphenol LTW</h1> <p>安費諾亮泰企業股份有限公司</p>		ITEM NO	DRAWN BY Ruru	DATE 2018-12-04
	SCALE 1:2	SIZE A4			SHEET 3 OF 3	DWG NO MI2AXXFL-12AFR-SXXXX	CHECKED BY Rita
	REV. A	WC-REV. A.1	QC: Inspection item		CUSTOMER ALTW	APPROVED BY Max	DATE 2018-12-04

X-ON Electronics

Largest Supplier of Electrical and Electronic Components

Click to view similar products for [Sensor Cables / Actuator Cables](#) category:

Click to view products by [Amphenol](#) manufacturer:

Other Similar products are found below :

[60963](#) [60964](#) [703000D02F2002](#) [703001D02F0602](#) [703001D02F300](#) [704000D02F120](#) [773032K02F030](#) [802027107404-1](#) [802027213811-1](#)
[804001A09M150](#) [805001A09M0502](#) [84914-0235](#) [84914-0237](#) [885030A09M020](#) [8R4J30E03C3003](#) [1200651332](#) [1200651713](#) [1200660844](#)
[1200660845](#) [1200661173](#) [1200680071](#) [1200720053](#) [1200720081](#) [1200720099](#) [1200720217](#) [1200800231](#) [1200860125](#) [1200870123](#)
[1200980102](#) [1200650267](#) [1200650298](#) [1200660183](#) [1200660782](#) [1200660849](#) [1200661295](#) [1200661297](#) [1200661342](#) [1200661343](#)
[1200670080](#) [1200670220](#) [1200680331](#) [1200720252](#) [1200730184](#) [1200860344](#) [1200870359](#) [1200870643](#) [1200980008](#) [1200980031](#)
[1210502211](#) [1210400542](#)