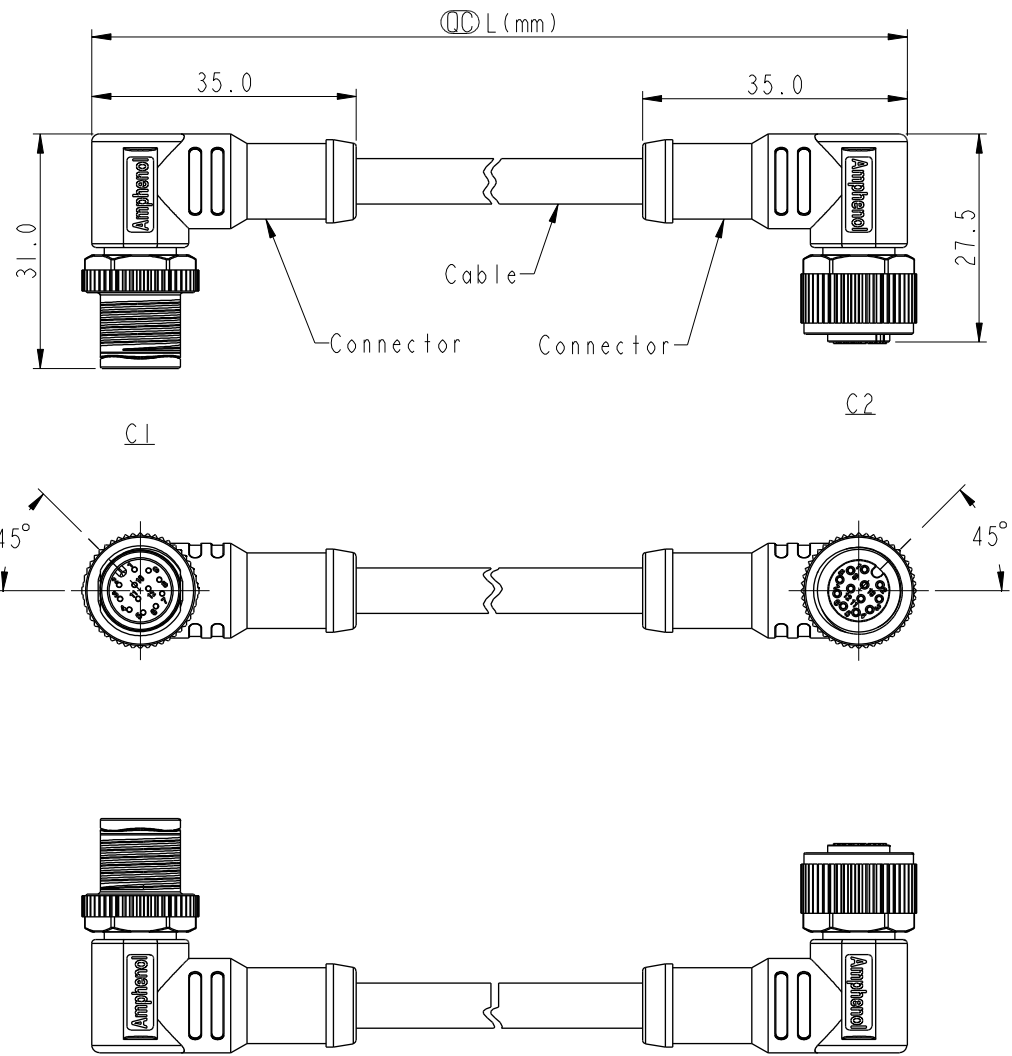


THIS DOCUMENT IS SUBJECT TO CHANGE WITHOUT NOTICE. IT IS CONFIDENTIAL AND A PROPERTY OF Amphenol LTW. DISCLOSURE TO THIRD PARTY HAS TO BE AUTHORIZED BY Amphenol LTW.

REV.	DESCRIPTION



- Note:
- \*  $\varnothing$  Important Dimension.
  - \* Waterproof Rate: IP68, IP69K.
  - \* Connector: PU+GF, Black.
  - \* Pin: Copper Alloy, Gold Plated.
  - \* Screw Nut: Zinc Alloy, Nickel Plated.
  - \* Outer Mold: PU, Black.
  - \* Cable: (B) UL20549, PUR Jacket, Black.  
(D) UL2517, PVC Jacket, Black.
  - \* Rated Voltage: 3 & 4Pin 250V dc. or ac.  
5Pin 60V dc. or ac.  
6~12Pin 30V dc. or ac.
  - \* Rated Current: 3~5Pin 4A  
6~8Pin 2A  
10~12Pin 1.5A
  - \* Cable Length Tolerance: 0.5±20mm  
01±40mm  
02M~05M:±60mm  
06M~10M:±100mm  
11M~30M:±200mm  
31M~99M:±500mm

UNIT:mm	
TOLERANCE	±0.5 mm

TITLE MI2 A-Code Double Ended			
SCALE 1:1	SIZE A4	SHEET 1 OF 3	
REV. A	WC-REV.	$\varnothing$ Inspection item	

**Amphenol LTW**  
安費諾亮泰企業股份有限公司

ITEM NO	DRAWN BY Vicky	DATE 2018-12-07
DWG NO MI2AXXMR-12AFR-SXXXX	CHECKED BY Rita	DATE 2018-12-07
CUSTOMER ALTW	APPROVED BY Max	DATE 2018-12-07

THIS DOCUMENT IS SUBJECT TO CHANGE WITHOUT NOTICE. IT IS CONFIDENTIAL AND A PROPERTY OF Amphenol LTW. DISCLOSURE TO THIRD PARTY HAS TO BE AUTHORIZED BY Amphenol LTW.

12P	PVC	6.0	26	M12A12MR-12AFR-SDXXX
10P				M12A10MR-12AFR-SDXXX
8P		5.5	24	M12A08MR-12AFR-SDXXX
6P				M12A06MR-12AFR-SDXXX
5P		4.8	22	M12A05MR-12AFR-SDXXX
4P				M12A04MR-12AFR-SDXXX
3P	M12A03MR-12AFR-SDXXX			
12P	PUR	6.0	26	M12A12MR-12AFR-SBXXX
10P				M12A10MR-12AFR-SBXXX
8P		4.8	24	M12A08MR-12AFR-SBXXX
6P				M12A06MR-12AFR-SBXXX
5P		4.4	22	M12A05MR-12AFR-SBXXX
4P				M12A04MR-12AFR-SBXXX
3P	M12A03MR-12AFR-SBXXX			
Contacts	Cable Jacket	Cable OD	AWG	Item No.

M 12A XX M R - 12A F R - S X XXX

12A: A-Code

- 03: 3Pin
- 04: 4Pin
- 05: 5Pin
- 06: 6Pin
- 08: 8Pin
- 10: 10Pin
- 12: 12Pin

M: Male Connector(公座)

R: Right(90°線端)

- XXX: 0.5~99Meters
- A05: 0.5 Meter
- 001: 1 Meter
- 002: 2 Meters
- ⋮
- 099: 99 Meters

- B: PUR UL20549 Cable,Black(PUR黑色外被線材)
- D: PVC UL2517 Cable,Black(PVC黑色外被線材)

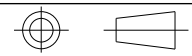
S: Screw(螺紋式)

R: Right(90°線端)

F: Female Connector(母座)

12A: A-Code

UNIT:mm



TITLE M12 A-Code Double Ended		
SCALE 1:1	SIZE A4	SHEET 2 OF 3
REV. A	WC-REV.	QC: Inspection item

**Amphenol LTW**  
安費諾亮泰企業股份有限公司

ITEM NO	DRAWN BY Vicky	DATE 2018-12-07
DWG NO M12AXXMR-12AFR-SXXXX	CHECKED BY Rita	DATE 2018-12-07
CUSTOMER ALTW	APPROVED BY Max	DATE 2018-12-07

## X-ON Electronics

Largest Supplier of Electrical and Electronic Components

*Click to view similar products for [Specialised Cables category](#):*

*Click to view products by [Amphenol manufacturer](#):*

Other Similar products are found below :

[GP-IE515546DS-002](#) [7810SB-010-1000](#) [96CB-L2020PIB2](#) [1200740161](#) [R88ACAKA0015SRE](#) [R88ACAWL005SDE](#) [R88ACRGD0R3C](#)  
[1300660042](#) [1300660201](#) [1971465-2](#) [22733-8](#) [2R7004A20F060](#) [SSL009PC2DC012N](#) [FC2A-KC6C](#) [CCSFCBF2](#) [R7ACAB005S](#)  
[XS2WM12PUR4SA10M](#) [XS2WM12PVC4SA10M](#) [05AU05](#) [UCABLE](#) [10114734-2010LF](#) [XW2Z010H3](#) [XW2Z010H1](#) [5-1589827-8](#) [5-](#)  
[1589827-4](#) [861084-1](#) [XW2Z200JB24](#) [5-1589956-8](#) [CR4000A76M020](#) [1201140211](#) [1300140039](#) [CR4000A76M005](#) [CR4006A76M005](#)  
[10077488-N0550FDLF](#) [XW2ZRY150C](#) [I4JPBJLUXX100](#) [I4JPBJLUXX50](#) [CM06](#) [CM06W](#) [POE004](#) [0243 009 05](#) [0243 009 20](#) [0243 009 36](#)  
[0243 009 26](#) [0243 009 33](#) [0243 009 23](#) [0243 009 01](#) [0243 009 30](#) [0243 008 05](#) [0243 008 20](#)