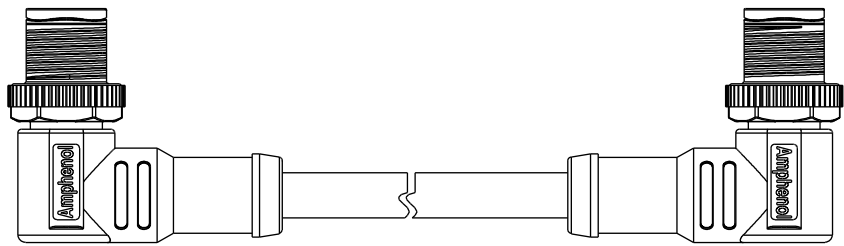
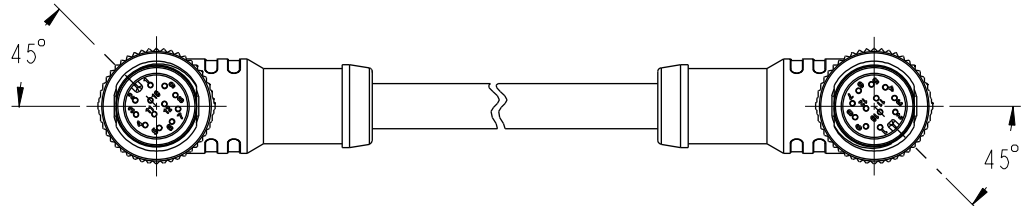
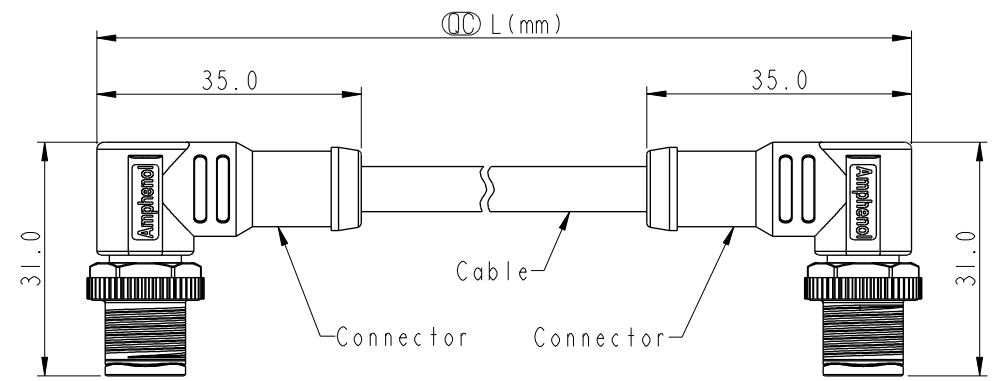


THIS DOCUMENT IS SUBJECT TO CHANGE WITHOUT NOTICE. IT IS CONFIDENTIAL AND A PROPERTY OF Amphenol LTW. DISCLOSURE TO THIRD PARTY HAS TO BE AUTHORIZED BY Amphenol LTW.

REV.	DESCRIPTION



- Note:
- * Ⓞ Important Dimension.
 - * Waterproof Rate: IP68, IP69K.
 - * Connector: PU+GF, Black.
 - * Pin: Copper Alloy, Gold Plated.
 - * Screw Nut: Zinc Alloy, Nickel Plated.
 - * Outer Mold: PU, Black.
 - * Cable: (B) UL20549, PUR Jacket, Black.
(D) UL2517, PVC Jacket, Black.
 - * Rated Voltage: 3 & 4Pin 250V dc. or ac.
5Pin 60V dc. or ac.
6~12Pin 30V dc. or ac.
 - * Rated Current: 3~5Pin 4A
6~8Pin 2A
10~12Pin 1.5A
 - * Cable Length Tolerance: 0.5±20mm
01±40mm
02M~05M:±60mm
06M~10M:±100mm
11M~30M:±200mm
31M~99M:±500mm

UNIT:mm		
TOLERANCE	±0.5 mm	

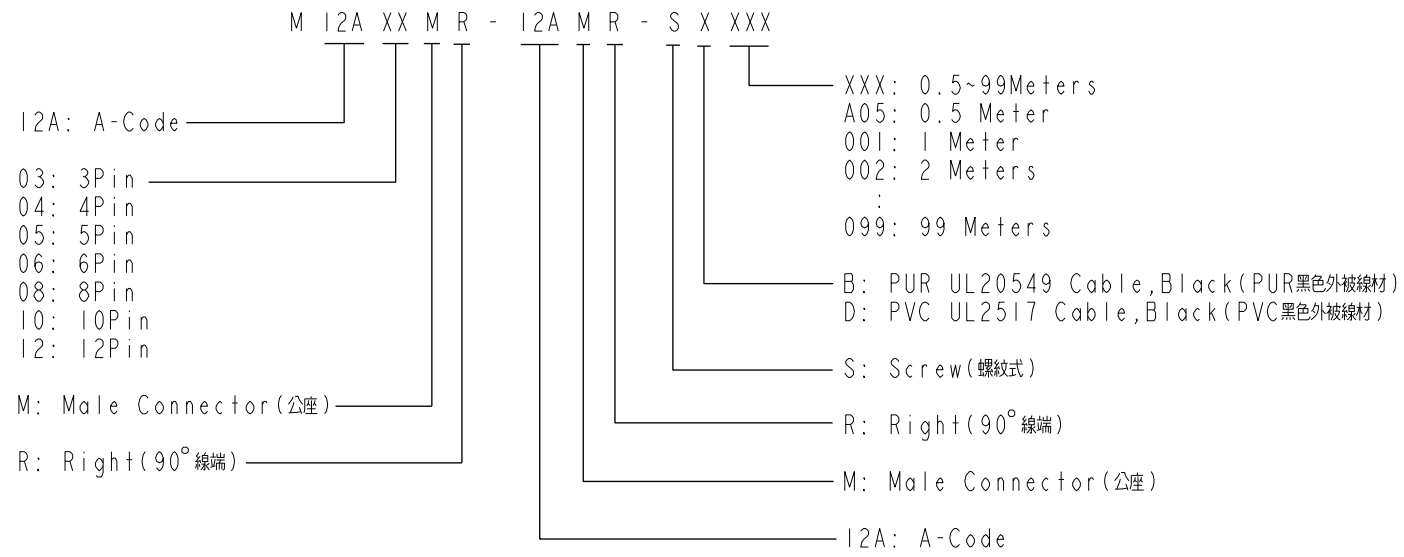
TITLE MI2 A-Code Double Ended		
SCALE 1:1	SIZE A4	SHEET 1 OF 3
REV. A	WC-REV.	Ⓞ : Inspection item

Amphenol LTW
安費諾亮泰企業股份有限公司

ITEM NO	DRAWN BY Vicky	DATE 2018-12-07
DWG NO MI2AXXMR-12AMR-SXXXX	CHECKED BY Rita	DATE 2018-12-07
CUSTOMER ALTW	APPROVED BY Max	DATE 2018-12-07

THIS DOCUMENT IS SUBJECT TO CHANGE WITHOUT NOTICE. IT IS CONFIDENTIAL AND A PROPERTY OF Amphenol LTW. DISCLOSURE TO THIRD PARTY HAS TO BE AUTHORIZED BY Amphenol LTW.

Contacts	Cable Jacket	Cable OD	AWG	Item No.
12P	PVC	6.0	26	MI2A12MR-12AMR-SDXXX
10P				MI2A10MR-12AMR-SDXXX
8P		5.5	24	MI2A08MR-12AMR-SDXXX
6P		5.0		MI2A06MR-12AMR-SDXXX
5P		5.1	22	MI2A05MR-12AMR-SDXXX
4P		4.8		MI2A04MR-12AMR-SDXXX
3P		4.5		MI2A03MR-12AMR-SDXXX
12P	PUR	6.0		26
10P				MI2A10MR-12AMR-SBXXX
8P		4.8	24	MI2A08MR-12AMR-SBXXX
6P		5.0		MI2A06MR-12AMR-SBXXX
5P		4.4	22	MI2A05MR-12AMR-SBXXX
4P		4.0		MI2A04MR-12AMR-SBXXX
3P		3.8		MI2A03MR-12AMR-SBXXX



UNIT:mm TOLERANCE			TITLE MI2 A-Code Double Ended	
	SCALE 1:1	SIZE A4	SHEET 2 OF 3	
	REV. A	WC-REV.	QC: Inspection item	

Amphenol LTW
 安費諾亮泰企業股份有限公司

ITEM NO	DRAWN BY Vicky	DATE 2018-12-07
DWG NO MI2AXXMR-12AMR-SXXXX	CHECKED BY Rita	DATE 2018-12-07
CUSTOMER ALTW	APPROVED BY Max	DATE 2018-12-07

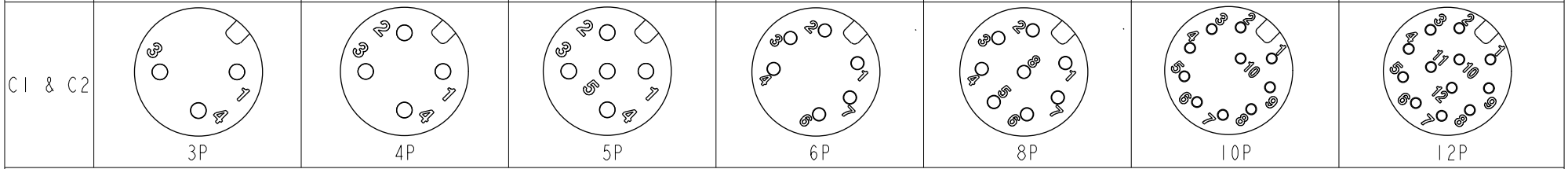
Pin Out	Wire	Wire	Wire	Wire	Wire	Wire	Wire
12	--		12	Red/Blue	紅/藍		
11	--		11	Gray/Pink	灰/粉		
10	Violet	紫	10	Violet	紫		
9	Black	黑	9	Black	黑		
8	Red	紅	8	Red	紅		
7	Blue	藍	7	Blue	藍		
6	Pink	粉	6	Pink	粉		
5	Gray	灰	5	Gray	灰		
4	Yellow	黃	4	Yellow	黃		
3	Green	綠	3	Green	綠		
2	Brown	棕	2	Brown	棕		
1	White	白	1	White	白		

Pin #	Wire	Wire	Wire	Wire	Wire	Wire	Wire
5	--		5	Gray	灰		
4	Black	黑	4	Black	黑		
3	Blue	藍	3	Blue	藍		
2	--		2	White	白		
1	Brown	棕	1	Brown	棕		

Pin #	Wire	Wire	Wire	Wire	Wire	Wire	Wire
8	--	藍	8	Red	紅		
7	Blue	藍	7	Blue	藍		
6	Pink	粉	6	Pink	粉		
5	--	黃	5	Gray	灰		
4	Yellow	黃	4	Yellow	黃		
3	Green	綠	3	Green	綠		
2	Brown	棕	2	Brown	棕		
1	White	白	1	White	白		

Pin #	Wire	Wire	Wire	Wire	Wire	Wire	Wire
12	--		12	Red/Blue	紅/藍		
11	--		11	Gray/Pink	灰/粉		
10	Violet	紫	10	Violet	紫		
9	Black	黑	9	Black	黑		
8	Red	紅	8	Red	紅		
7	Blue	藍	7	Blue	藍		
6	Pink	粉	6	Pink	粉		
5	Gray	灰	5	Gray	灰		
4	Yellow	黃	4	Yellow	黃		
3	Green	綠	3	Green	綠		
2	Brown	棕	2	Brown	棕		
1	White	白	1	White	白		

Pin Assignments Front View



UNIT:mm

TITLE
MI2 A-Code Double Ended

SCALE 1:1 SIZE A4 SHEET 3 OF 3

REV. A WC-REV. :Inspection item

Amphenol LTW
安費諾亮泰企業股份有限公司

ITEM NO
DWG NO MI2AXXMR-12AMR-SXXXX
CUSTOMER ALTW

DRAWN BY Vicky
CHECKED BY Rita
APPROVED BY Max

DATE 2018-12-07
DATE 2018-12-07
DATE 2018-12-07

X-ON Electronics

Largest Supplier of Electrical and Electronic Components

Click to view similar products for [Sensor Cables / Actuator Cables](#) category:

Click to view products by [Amphenol](#) manufacturer:

Other Similar products are found below :

[60963](#) [60964](#) [M83513/19-F01CP](#) [703000D02F2002](#) [703000D02F300](#) [703001D02F1201](#) [704000D02F120](#) [802027213811-1](#) [84914-0235](#)
[883030A09M050](#) [884031A09M005](#) [8R4006A18M010](#) [1200980008](#) [1200980031](#) [1211810021](#) [1400637](#) [1401201](#) [1401348](#) [1405278](#)
[1408644/94F/8](#) [1455311](#) [1513981](#) [1550119](#) [1554212](#) [1R3006A20A120G](#) [1R4004A17A120](#) [1R4006A20A1202](#) [1R4006A39M005](#) [2289297-6](#)
[8R3006A16A1203](#) [8R5E36E03M020](#) [2R7004A20F060](#) [301000A01F200](#) [301002A01F120](#) [2289297-1](#) [2289297-8](#) [2289297-9](#)
[302000A01F120](#) [CONM6A-S2](#) [332021A01F200](#) [3R1006A20F030](#) [3R9006A20A1201](#) [403001A10M040](#) [4030P1A10M040](#) [41-01023](#)
[MBCC-412](#) [1R3G06A20A120](#) [543031A10M010](#) [884030A09M100](#) [883033A09M020](#)