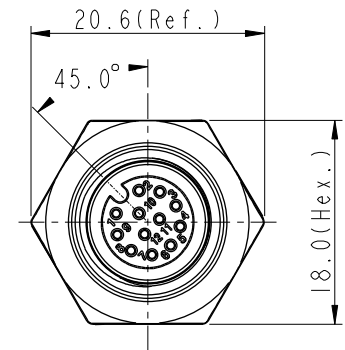
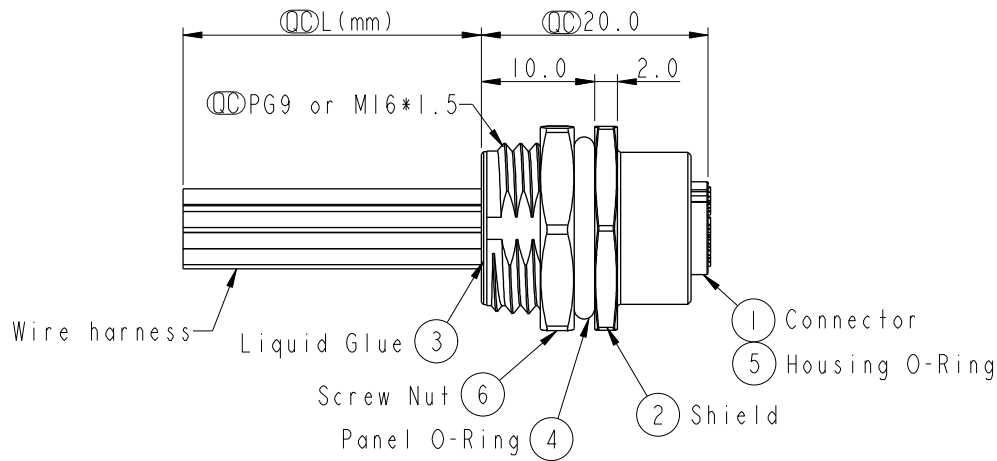
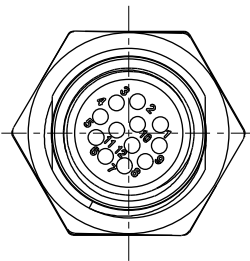


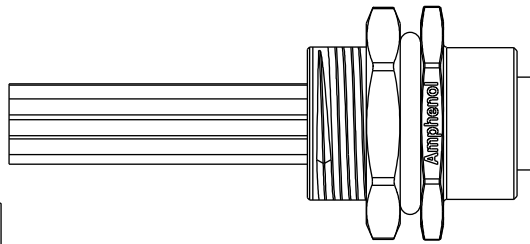
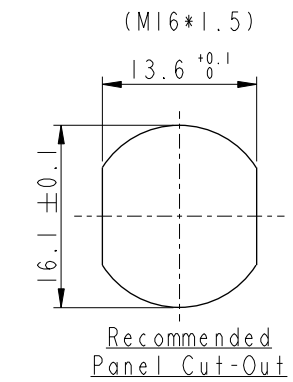
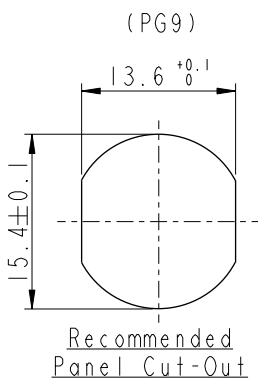
REV.	ECN NO.	DATE	SIGN	DESCRIPTION
B	LE31570242~251	2015/07/23	Yulong_wang	Change to Share Drawing.
C	LENI680557~568	2016/08/08	Yulong_wang	Add 6Pin & IP69K.
D	EI91630	2019/09/19	Ruru	Update Wire Tolerance



ALTW
CONFIDENTIAL
2019-09-19
R&D DEPT.

Notes:

- * \varnothing Important Dimension.
- * Waterproof Rate: IP68, IP69K.
- * Connector: Nylon+GF, Black.
- * Female Pin: Copper Alloy, Gold Plated.
- * Shield: Zinc Alloy, Nickel Plated.
- * Screw Nut: Zinc Alloy, Nickel Plated.
- * Panel O-Ring: Viton, Black.
- * Housing O-Ring: Viton, Green.
- * Wire harness: UL1061
- * Rated Voltage: 3 & 4Pin 250V dc. or ac.
5Pin 60V dc. or ac.
6~12Pin 30V dc. or ac.
- * Rated Current: 3~5Pin 4A
6~8Pin 2A
10~12Pin 1.5A
- * Operating Temperature: -25~85°C
- * For Panel Thickness Max 4.5mm.
- * Nut Torque: 4-6 Kgf.cm.
- * Wire harness Tolerance: 150~300±15mm
301~1000±20mm
Over 1000 ±50/-0mm



UNIT: mm		
TOLERANCE	.X ±0.25	
.XX ±0.1		
.XXX ±0.05		
ANGLES	±1°	

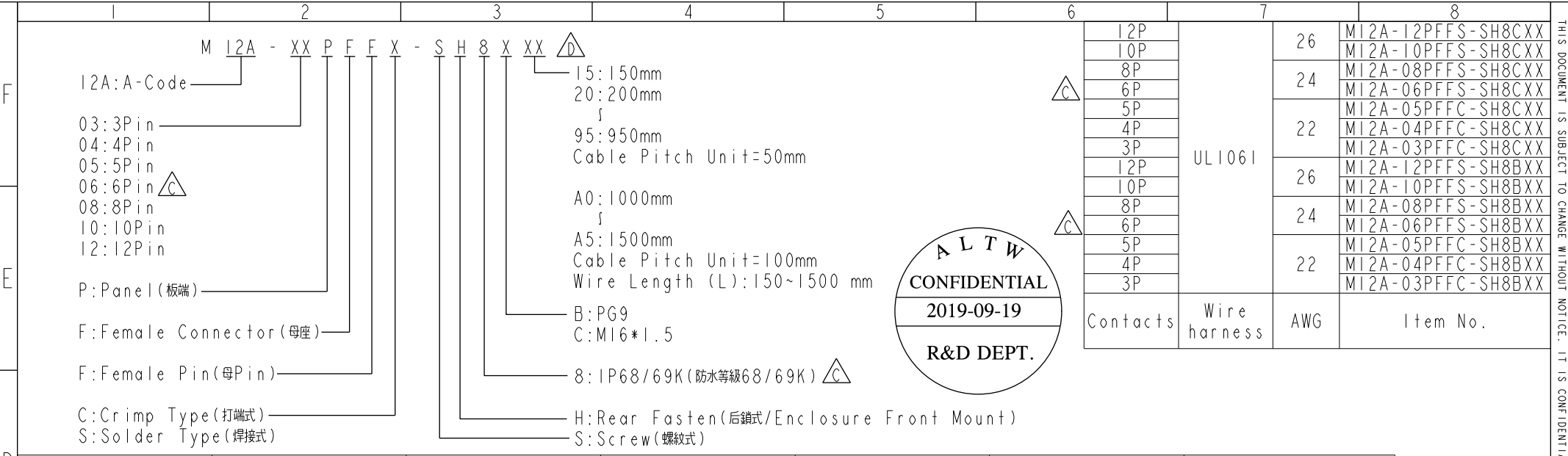
TITLE M12 A-Code Female Conn. Panel Rear With Wire harness			
SCALE 3:2	SIZE A4	SHEET 1 OF 2	
REV. D	WC-REV. A.3	\varnothing : Inspection item	

Amphenol LTW
安費諾亮泰企業股份有限公司

ITEM NO	DRAWN BY Ruru	DATE 2019-09-19
DWG NO M12A-XXPFFX-SH8XXX	CHECKED BY Rita	DATE 2019-09-19
CUSTOMER ALTW	APPROVED BY Max	DATE 2019-09-19

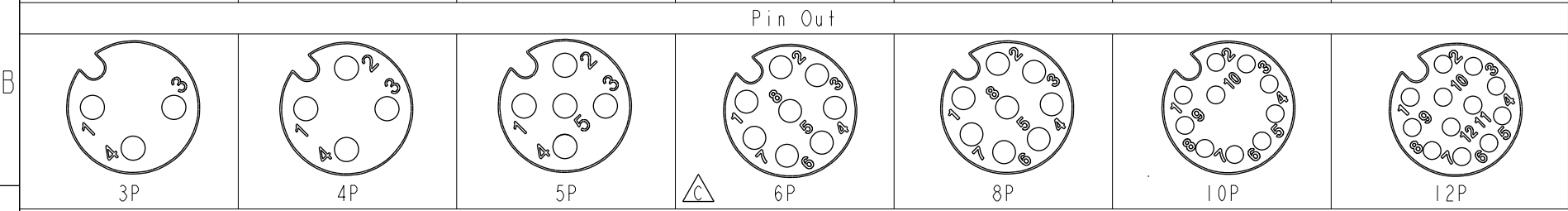
THIS DOCUMENT IS SUBJECT TO CHANGE WITHOUT NOTICE. IT IS CONFIDENTIAL AND A PROPERTY OF Amphenol LTW. DISCLOSURE TO THIRD PARTY HAS TO BE AUTHORIZED BY Amphenol LTW.

THIS DOCUMENT IS SUBJECT TO CHANGE WITHOUT NOTICE. IT IS CONFIDENTIAL AND A PROPERTY OF Amphenol LTW. DISCLOSURE TO THIRD PARTY HAS TO BE AUTHORIZED BY Amphenol LTW.



12P	UL1061	26	M12A-12PFFS-SH8CXX
10P			M12A-10PFFS-SH8CXX
8P		24	M12A-08PFFS-SH8CXX
6P			M12A-06PFFS-SH8CXX
5P		22	M12A-05PFFC-SH8CXX
4P			M12A-04PFFC-SH8CXX
3P			M12A-03PFFC-SH8CXX
12P		26	M12A-12PFFS-SH8BXX
10P			M12A-10PFFS-SH8BXX
8P		24	M12A-08PFFS-SH8BXX
6P			M12A-06PFFS-SH8BXX
5P		22	M12A-05PFFC-SH8BXX
4P	M12A-04PFFC-SH8BXX		
3P	M12A-03PFFC-SH8BXX		
Contacts	Wire harness	AWG	Item No.

5	--	5	--	5	Gray	灰	5	Gray	灰	5	Gray	灰	5	Gray	灰	5	Gray	灰	5	Gray	灰	5	Gray	灰					
4	Black	黑	4	Black	黑	4	Black	黑	4	Black	黑	4	Black	黑	4	Black	黑	4	Black	黑	4	Black	黑	4	Black	黑			
3	Blue	藍	3	Blue	藍	3	Blue	藍	3	Blue	藍	3	Blue	藍	3	Blue	藍	3	Blue	藍	3	Blue	藍	3	Blue	藍			
2	--	2	White	白	2	White	白	2	White	白	2	White	白	2	White	白	2	White	白	2	White	白	2	White	白				
1	Brown	棕	1	Brown	棕	1	Brown	棕	1	Brown	棕	1	Brown	棕	1	Brown	棕	1	Brown	棕	1	Brown	棕	1	Brown	棕			
12	--	12	Red/Blue	紅/藍	11	--	11	Gray/Pink	灰/粉	10	Violet	紫	10	Violet	紫	9	Black	黑	9	Black	黑	8	Red	紅	8	Red	紅		
11	--	11	Gray/Pink	灰/粉	10	Violet	紫	10	Violet	紫	9	Black	黑	9	Black	黑	8	Red	紅	8	Red	紅	7	Blue	藍	7	Blue	藍	
10	Violet	紫	10	Violet	紫	9	Black	黑	9	Black	黑	8	Red	紅	8	Red	紅	7	Blue	藍	7	Blue	藍	6	Pink	粉	6	Pink	粉
9	Black	黑	9	Black	黑	8	Red	紅	8	Red	紅	7	Blue	藍	7	Blue	藍	6	Pink	粉	6	Pink	粉	5	Gray	灰	5	Gray	灰
8	Red	紅	8	Red	紅	7	Blue	藍	7	Blue	藍	6	Pink	粉	6	Pink	粉	5	Gray	灰	5	Gray	灰	4	Yellow	黃	4	Yellow	黃
7	Blue	藍	7	Blue	藍	6	Pink	粉	6	Pink	粉	5	Gray	灰	5	Gray	灰	4	Yellow	黃	4	Yellow	黃	3	Green	綠	3	Green	綠
6	Pink	粉	6	Pink	粉	5	Gray	灰	5	Gray	灰	4	Yellow	黃	4	Yellow	黃	3	Green	綠	3	Green	綠	2	Brown	棕	2	Brown	棕
5	Gray	灰	5	Gray	灰	4	Yellow	黃	4	Yellow	黃	3	Green	綠	3	Green	綠	2	Brown	棕	2	Brown	棕	1	White	白	1	White	白
4	Yellow	黃	4	Yellow	黃	3	Green	綠	3	Green	綠	2	Brown	棕	2	Brown	棕	1	White	白	1	White	白						
3	Green	綠	3	Green	綠	2	Brown	棕	2	Brown	棕	1	White	白	1	White	白												
2	Brown	棕	2	Brown	棕	1	White	白	1	White	白																		
1	White	白	1	White	白																								



Pin Assignments Front View

UNIT: mm TOLERANCE .X ±0.25 .XX ±0.1 .XXX ±0.05 ANGLES ±1°	TITLE M12 A-Code Female Conn. Panel Rear With Wire harness			<h1 style="text-align: center;">Amphenol LTW</h1> <h2 style="text-align: center;">安費諾亮泰企業股份有限公司</h2>		ITEM NO M12A-XXPFFX-SH8XXX	DRAWN BY Ruru	DATE 2019-09-19
	SCALE 3:2	SIZE A4	SHEET 2 OF 2			DWG NO M12A-XXPFFX-SH8XXX	CHECKED BY Rita	DATE 2019-09-19
	REV. D	WC-REV. A.3	Inspection item	CUSTOMER ALTW	APPROVED BY Max	DATE 2019-09-19		

X-ON Electronics

Largest Supplier of Electrical and Electronic Components

Click to view similar products for [Sensor Cables / Actuator Cables](#) category:

Click to view products by [Amphenol](#) manufacturer:

Other Similar products are found below :

[60963](#) [60964](#) [703000D02F2002](#) [703001D02F0602](#) [703001D02F300](#) [704000D02F120](#) [773032K02F030](#) [802027107404-1](#) [802027213811-1](#)
[804001A09M150](#) [805001A09M0502](#) [84914-0235](#) [84914-0237](#) [885030A09M020](#) [8R4J30E03C3003](#) [1200651332](#) [1200651713](#) [1200660844](#)
[1200660845](#) [1200661173](#) [1200680071](#) [1200720053](#) [1200720081](#) [1200720099](#) [1200720217](#) [1200800231](#) [1200860125](#) [1200870123](#)
[1200980102](#) [1200650267](#) [1200650298](#) [1200660183](#) [1200660782](#) [1200660849](#) [1200661295](#) [1200661297](#) [1200661342](#) [1200661343](#)
[1200670080](#) [1200670220](#) [1200680331](#) [1200720252](#) [1200730184](#) [1200860344](#) [1200870359](#) [1200870643](#) [1200980008](#) [1200980031](#)
[1210502211](#) [1210400542](#)