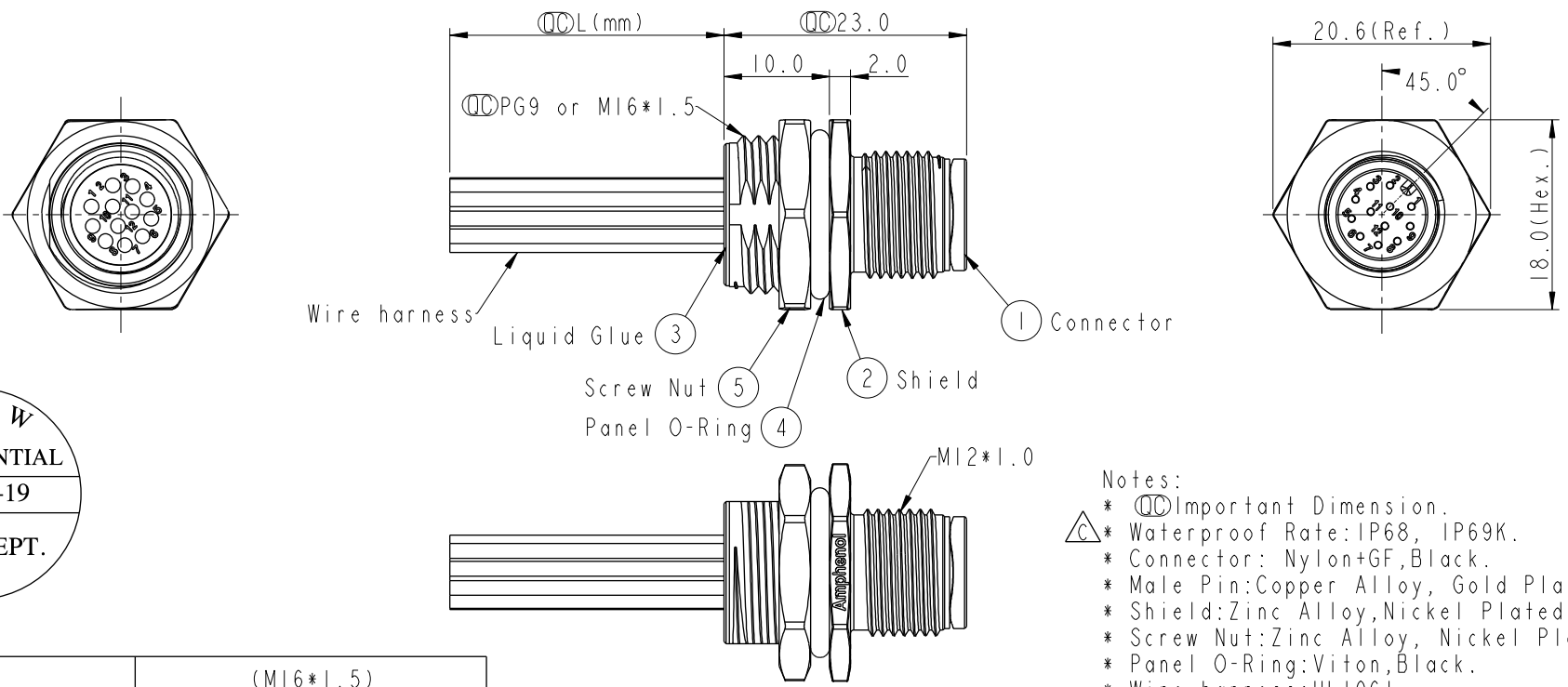


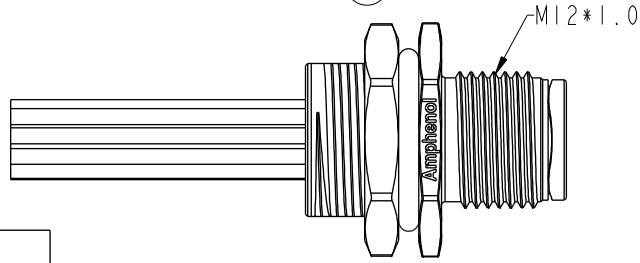
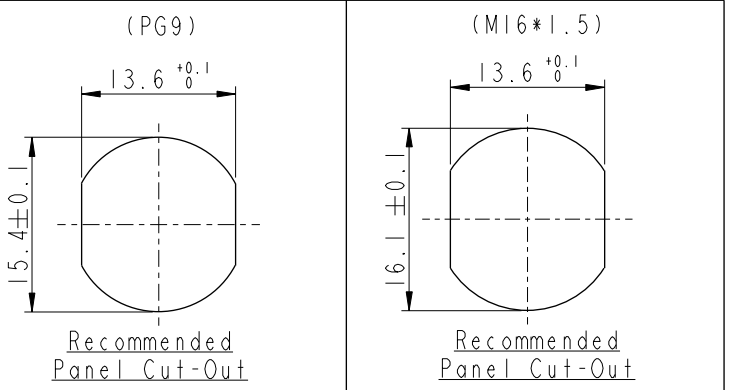
THIS DOCUMENT IS SUBJECT TO CHANGE WITHOUT NOTICE. IT IS CONFIDENTIAL AND A PROPERTY OF Amphenol LTW. DISCLOSURE TO THIRD PARTY HAS TO BE AUTHORIZED BY Amphenol LTW.

REV.	ECN NO.	DATE	SIGN	DESCRIPTION
B	LE31570262~271	2015/07/23	Yulong_wang	Change to Share Drawing.
C	LEN1680581~592 LEN1680604~605	2016/08/08	Yulong_wang	Add 6Pin & IP69K.
D	E191630	2019/09/19	Ruru	Update Wire Tolerance



**ALTW**  
 CONFIDENTIAL  
 2019-09-19  
 R&D DEPT.

- Notes:
- \*  $\varnothing$  Important Dimension.
  - \* Waterproof Rate: IP68, IP69K.
  - \* Connector: Nylon+GF, Black.
  - \* Male Pin: Copper Alloy, Gold Plated.
  - \* Shield: Zinc Alloy, Nickel Plated.
  - \* Screw Nut: Zinc Alloy, Nickel Plated.
  - \* Panel O-Ring: Viton, Black.
  - \* Wire harness: ULI061
  - \* Rated Voltage: 3 & 4Pin 250V dc. or ac.  
5Pin 60V dc. or ac.  
6~12Pin 30V dc. or ac.
  - \* Rated Current: 3~5Pin 4A  
6~8Pin 2A  
10~12Pin 1.5A
  - \* Operating Temperature: -25~85°C
  - \* For Panel Thickness Max 4.5mm.
  - \* Nut Torque: 4-6 Kgf.cm.
  - \* Wire harness Tolerance: 150~300±15mm  
301~1000±20mm  
Over 1000 ±50/-0mm

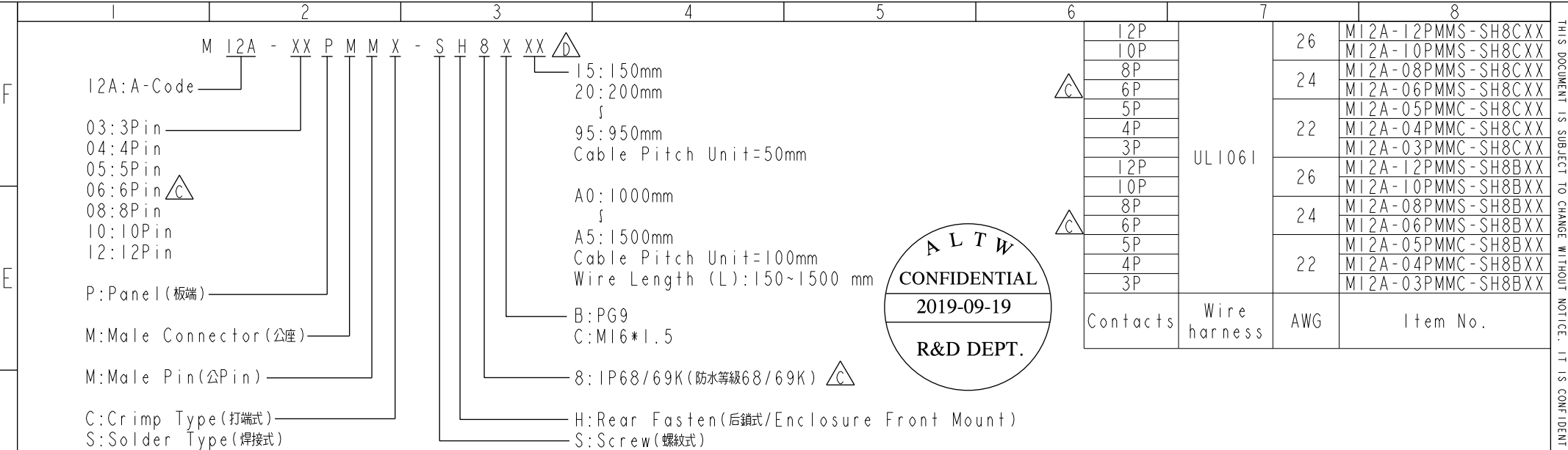


UNIT: mm		TITLE
TOLERANCE		M12 A-Code Male Conn. Panel Rear With Wire harness
.X ±0.25		SCALE 3:2
.XX ±0.1		SIZE A4
.XXX ±0.05		SHEET 1 OF 2
ANGLES ±1°		REV. D
		WC-REV. A.3
		$\varnothing$ Inspection item

**Amphenol LTW**  
 安費諾亮泰企業股份有限公司

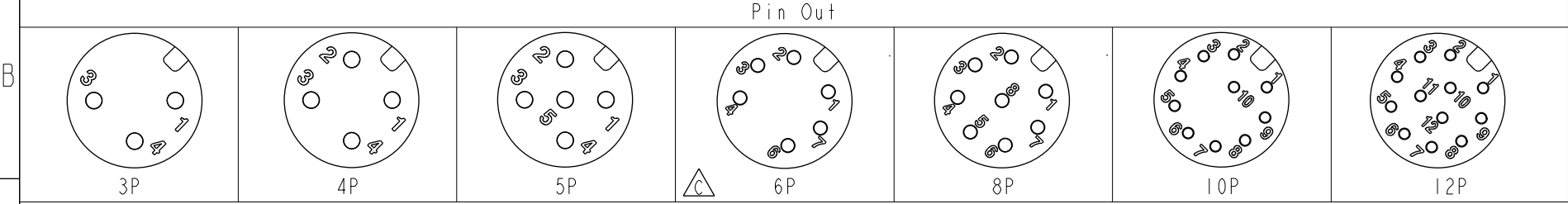
ITEM NO	DRAWN BY	DATE
	Ruru	2019-09-19
DWG NO	CHECKED BY	DATE
M12A-XXPMX-SH8XXX	Rita	2019-09-19
CUSTOMER	APPROVED BY	DATE
ALTW	Max	2019-09-19

THIS DOCUMENT IS SUBJECT TO CHANGE WITHOUT NOTICE. IT IS CONFIDENTIAL AND A PROPERTY OF Amphenol LTW. DISCLOSURE TO THIRD PARTY HAS TO BE AUTHORIZED BY Amphenol LTW.



12P	UL1061	26	M12A-12PMMS-SH8CXX
10P			M12A-10PMMS-SH8CXX
8P		24	M12A-08PMMS-SH8CXX
6P			M12A-06PMMS-SH8CXX
5P		22	M12A-05PMMC-SH8CXX
4P			M12A-04PMMC-SH8CXX
3P			M12A-03PMMC-SH8CXX
12P		26	M12A-12PMMS-SH8BXX
10P			M12A-10PMMS-SH8BXX
8P		24	M12A-08PMMS-SH8BXX
6P			M12A-06PMMS-SH8BXX
5P		22	M12A-05PMMC-SH8BXX
4P	M12A-04PMMC-SH8BXX		
3P	M12A-03PMMC-SH8BXX		
Contacts	Wire harness	AWG	Item No.

5	--	5	--	5	Gray	灰	5	Gray	灰	5	Gray	灰	5	Gray	灰	5	Gray	灰	5	Gray	灰	5	Gray	灰		
4	Black	黑	4	Black	黑	4	Black	黑	4	Black	黑	4	Black	黑	4	Black	黑	4	Black	黑	4	Black	黑	4	Black	黑
3	Blue	藍	3	Blue	藍	3	Blue	藍	3	Blue	藍	3	Blue	藍	3	Blue	藍	3	Blue	藍	3	Blue	藍	3	Blue	藍
2	--		2	White	白	2	White	白	2	White	白	2	White	白	2	White	白	2	White	白	2	White	白	2	White	白
1	Brown	棕	1	Brown	棕	1	Brown	棕	1	Brown	棕	1	Brown	棕	1	Brown	棕	1	Brown	棕	1	Brown	棕	1	Brown	棕
Pin #	Wire		Pin #	Wire		Pin #	Wire		Pin #	Wire		Pin #	Wire		Pin #	Wire		Pin #	Wire		Pin #	Wire		Pin #	Wire	



Pin Assignments Front View

UNIT:mm  TOLERANCE .X ±0.25 .XX ±0.1 .XXX ±0.05 ANGLES ±1°	TITLE M12 A-Code Male Conn. Panel Rear With Wire harness		<h1 style="text-align: center;">Amphenol LTW</h1> <h2 style="text-align: center;">安費諾亮泰企業股份有限公司</h2>		ITEM NO	DRAWN BY	DATE		
	SCALE	SIZE			SHEET	OF	DWG NO	CHECKED BY	DATE
	REV.	WC-REV.			QC: Inspection item		CUSTOMER	APPROVED BY	DATE
	2	3	4	5	6	7	8		

## X-ON Electronics

Largest Supplier of Electrical and Electronic Components

*Click to view similar products for [Sensor Cables / Actuator Cables](#) category:*

*Click to view products by [Amphenol](#) manufacturer:*

Other Similar products are found below :

[60963](#) [60964](#) [703000D02F2002](#) [703000D02F300](#) [703001D02F0602](#) [703001D02F1201](#) [703001D02F300](#) [704000D02F120](#) [MDM21SH001F](#)  
[773032K02F030](#) [802027107404-1](#) [802027213811-1](#) [804001A09M150](#) [805001A09M0502](#) [84914-0235](#) [84914-0237](#) [885030A09M010](#)  
[885030A09M020](#) [8R4006A18M010](#) [1200651332](#) [1200651713](#) [1200660844](#) [1200660845](#) [1200661173](#) [1200680071](#) [1200720053](#)  
[1200720081](#) [1200720099](#) [1200720217](#) [1200800231](#) [1200860125](#) [1200870123](#) [1200980102](#) [1200650298](#) [1200660183](#) [1200660782](#)  
[1200660849](#) [1200661295](#) [1200661297](#) [1200661342](#) [1200661343](#) [1200670220](#) [1200680331](#) [1200720252](#) [1200720255](#) [1200720597](#)  
[1200730184](#) [1200860344](#) [1200870359](#) [1200870643](#)