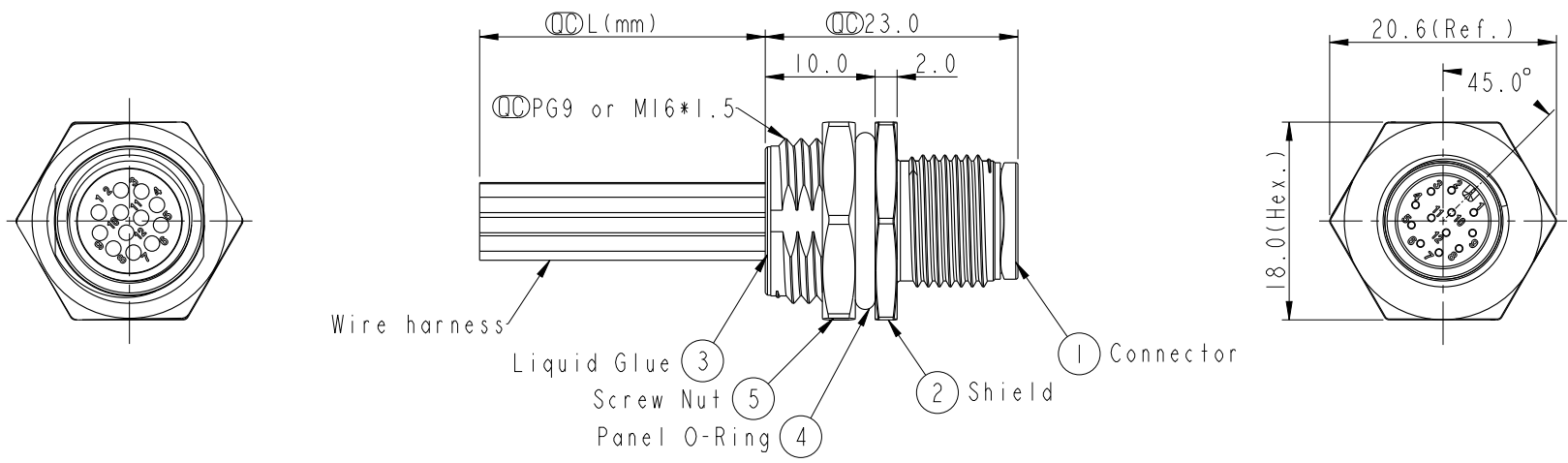
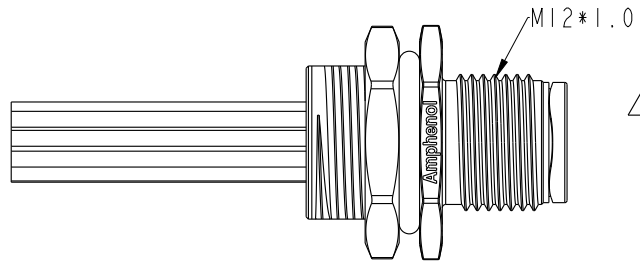


THIS DOCUMENT IS SUBJECT TO CHANGE WITHOUT NOTICE. IT IS CONFIDENTIAL AND A PROPERTY OF Amphenol LTW. DISCLOSURE TO THIRD PARTY HAS TO BE AUTHORIZED BY Amphenol LTW.

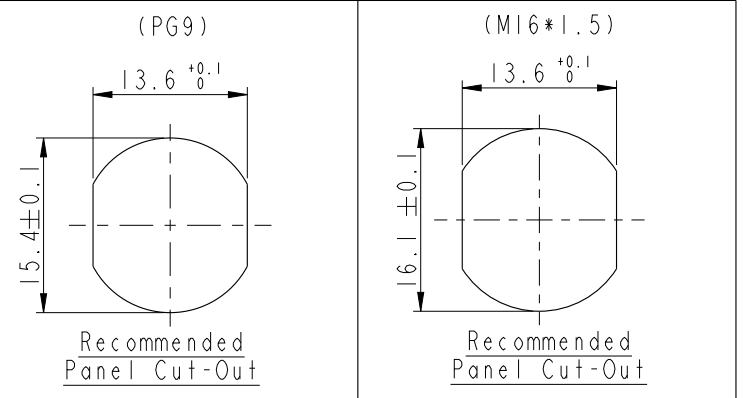
REV.	ECN NO.	DATE	SIGN	DESCRIPTION
B	LE31570262~271	2015/07/23	Yulong_wang	Change to Share Drawing.
C	LEN1680581~592 LEN1680604~605	2016/08/08	Yulong_wang	Add 6Pin & IP69K.



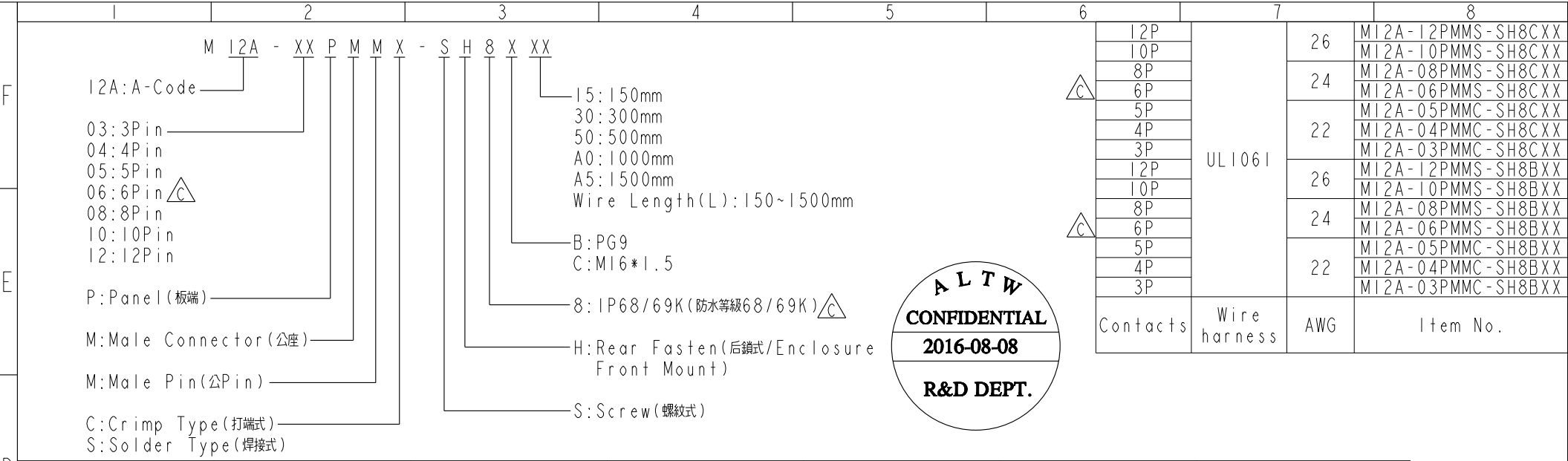
ALTW
CONFIDENTIAL
2016-08-08
R&D DEPT.



- Notes:
- * \varnothing Important Dimension.
 - * \triangle Waterproof Rate: IP68, IP69K.
 - * Connector: Nylon+GF, Black.
 - * Male Pin: Copper Alloy, Gold Plated.
 - * Shield: Zinc Alloy, Nickel Plated.
 - * Screw Nut: Zinc Alloy, Nickel Plated.
 - * Panel O-Ring: Viton, Black.
 - * Wire harness: UL1061
 - * Rated Voltage: 3 & 4Pin 250V dc. or ac.
5Pin 60V dc. or ac.
6~12Pin 30V dc. or ac.
 - * Rated Current: 3~5Pin 4A
6~8Pin 2A
10~12Pin 1.5A
 - * Operating Temperature: -25~85°C
 - * For Panel Thickness Max 4.5mm.
 - * Nut Torque: 4-6 Kgf.cm.
 - * Wire harness Tolerance: 150~300 ±15mm
301~1000 ±20mm
Over1000 ±40mm



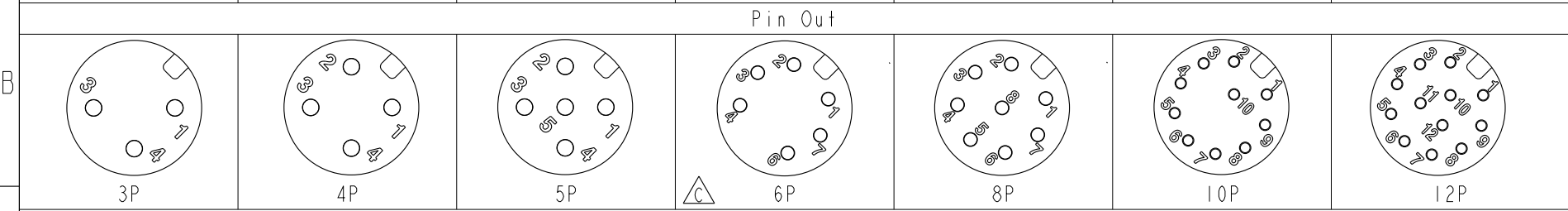
UNIT: mm		TITLE		ITEM NO	DRAWN BY	DATE
		MI2 A-Code Male Conn. Panel Rear With Wire harness				
TOLERANCE		SCALE	SIZE	DWG NO	CHECKED BY	DATE
.X ±0.25 .XX ±0.1 .XXX ±0.05 ANGLES ±1°		3:2	A4	1 OF 2	MI2A-XXPMXX-SH8XXX	Cary
		REV.	WC-REV.	CUSTOMER	APPROVED BY	DATE
		C	A.3	ALTW	Jerry	2016-08-08
		\varnothing : Inspection item		Amphenol LTW 安費諾亮泰企業股份有限公司		



ALTW
CONFIDENTIAL
 2016-08-08
R&D DEPT.

12P	UL1061	26	M12A-12PMMS-SH8CXX
10P			M12A-10PMMS-SH8CXX
8P		24	M12A-08PMMS-SH8CXX
6P			M12A-06PMMS-SH8CXX
5P		22	M12A-05PMMC-SH8CXX
4P			M12A-04PMMC-SH8CXX
3P			M12A-03PMMC-SH8CXX
12P		26	M12A-12PMMS-SH8BXX
10P			M12A-10PMMS-SH8BXX
8P		24	M12A-08PMMS-SH8BXX
6P			M12A-06PMMS-SH8BXX
5P		22	M12A-05PMMC-SH8BXX
4P	M12A-04PMMC-SH8BXX		
3P	M12A-03PMMC-SH8BXX		
Contacts	Wire harness	AWG	Item No.

5	--	5	--	5	Gray	灰	5	Gray	灰	5	Gray	灰	5	Gray	灰	5	Gray	灰	5	Gray	灰	5	Gray	灰		
4	Black	黑	4	Black	黑	4	Black	黑	4	Black	黑	4	Black	黑	4	Black	黑	4	Black	黑	4	Black	黑	4	Black	黑
3	Blue	藍	3	Blue	藍	3	Blue	藍	3	Blue	藍	3	Blue	藍	3	Blue	藍	3	Blue	藍	3	Blue	藍	3	Blue	藍
2	--		2	White	白	2	White	白	2	White	白	2	White	白	2	White	白	2	White	白	2	White	白	2	White	白
1	Brown	棕	1	Brown	棕	1	Brown	棕	1	Brown	棕	1	Brown	棕	1	Brown	棕	1	Brown	棕	1	Brown	棕	1	Brown	棕
8	--		8	Blue	藍	8	Blue	藍	8	Blue	藍	8	Blue	藍	8	Blue	藍	8	Blue	藍	8	Blue	藍	8	Blue	藍
7	Blue	藍	7	Pink	粉	7	Pink	粉	7	Pink	粉	7	Pink	粉	7	Pink	粉	7	Pink	粉	7	Pink	粉	7	Pink	粉
6	--		6	--		6	--		6	--		6	--		6	--		6	--		6	--		6	--	
4	Yellow	黃	4	Yellow	黃	4	Yellow	黃	4	Yellow	黃	4	Yellow	黃	4	Yellow	黃	4	Yellow	黃	4	Yellow	黃	4	Yellow	黃
3	Green	綠	3	Green	綠	3	Green	綠	3	Green	綠	3	Green	綠	3	Green	綠	3	Green	綠	3	Green	綠	3	Green	綠
2	Brown	棕	2	Brown	棕	2	Brown	棕	2	Brown	棕	2	Brown	棕	2	Brown	棕	2	Brown	棕	2	Brown	棕	2	Brown	棕
1	White	白	1	White	白	1	White	白	1	White	白	1	White	白	1	White	白	1	White	白	1	White	白	1	White	白



Pin Assignments Front View

UNIT: mm		TITLE M12 A-Code Male Conn. Panel Rear With Wire harness			Amphenol LTW 安費諾亮泰企業股份有限公司	ITEM NO	DRAWN BY	DATE
		SCALE 3:2	SIZE A4	SHEET 2 OF 2		DWG NO M12A-XXPMMX-SH8XXX	CHECKED BY Jinhai	DATE 2016-08-08
		REV. C	WC-REV. A.3	: Inspection item		CUSTOMER ALTW	APPROVED BY Jerry	DATE 2016-08-08

X-ON Electronics

Largest Supplier of Electrical and Electronic Components

Click to view similar products for [Sensor Cables / Actuator Cables](#) category:

Click to view products by [Amphenol](#) manufacturer:

Other Similar products are found below :

[60963](#) [60964](#) [703000D02F2002](#) [703001D02F0602](#) [703001D02F300](#) [704000D02F120](#) [773032K02F030](#) [802027107404-1](#) [802027213811-1](#)
[804001A09M150](#) [805001A09M0502](#) [84914-0235](#) [84914-0237](#) [885030A09M020](#) [8R4J30E03C3003](#) [1200651332](#) [1200651713](#) [1200660844](#)
[1200660845](#) [1200661173](#) [1200680071](#) [1200720053](#) [1200720081](#) [1200720099](#) [1200720217](#) [1200800231](#) [1200860125](#) [1200870123](#)
[1200980102](#) [1200650267](#) [1200650298](#) [1200660183](#) [1200660782](#) [1200660849](#) [1200661295](#) [1200661297](#) [1200661342](#) [1200661343](#)
[1200670080](#) [1200670220](#) [1200680331](#) [1200720252](#) [1200730184](#) [1200860344](#) [1200870359](#) [1200870643](#) [1200980008](#) [1200980031](#)
[1210502211](#) [1210400542](#)