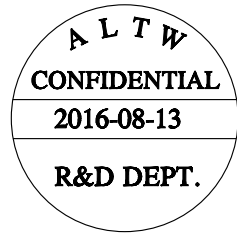
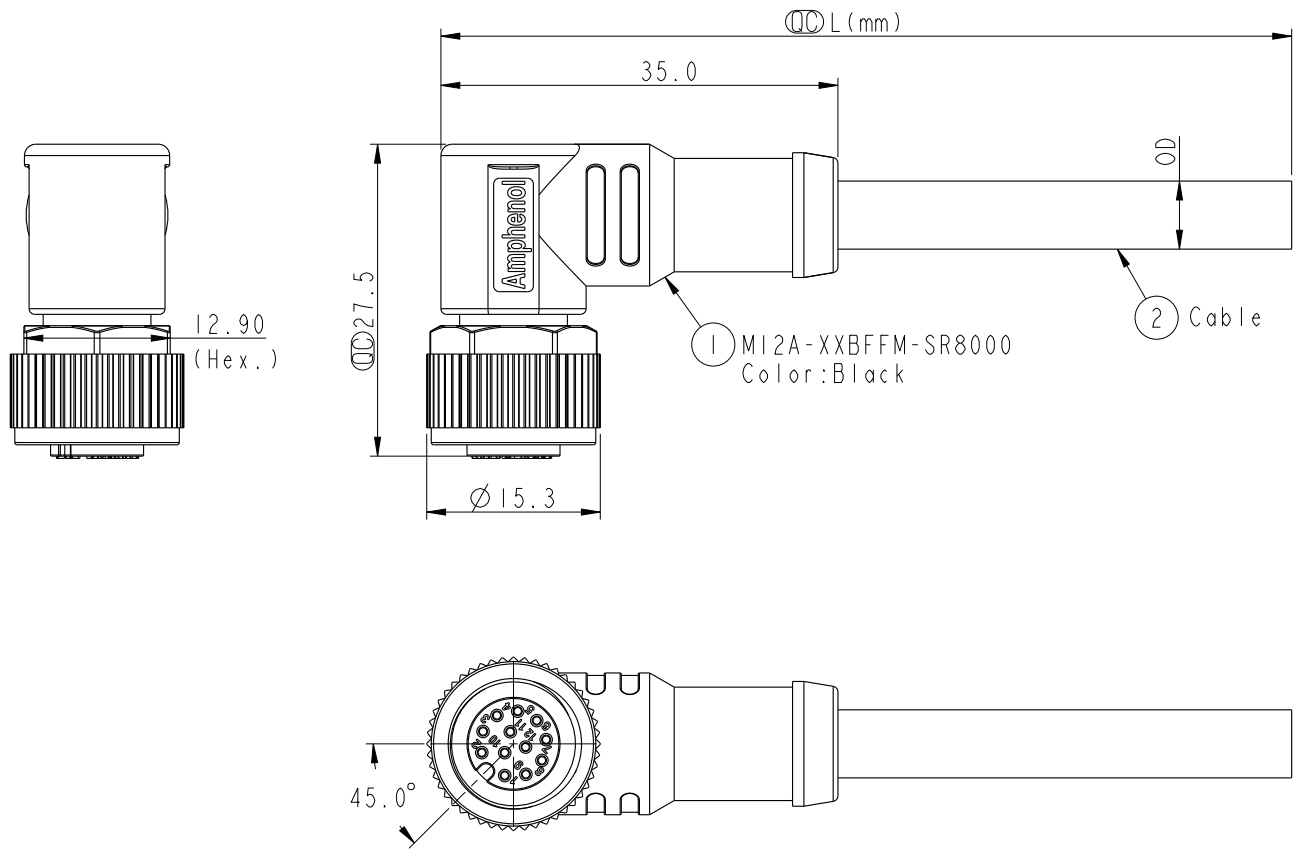


REV.	ECN NO.	DATE	SIGN	DESCRIPTION
B	LEN1580142 -153	2015/08/10	Feng_Li	Add Black PVC Cable
C	LEN1680662~679	2016/08/13	Yulong_wang	Add 6Pin & IP69K.



Notes:

- \*  $\varnothing$  Important Dimension.
- $\triangle C$  \* Waterproof Rate: IP68, IP69K.
- \* Connector: PU+GF, Black.
- \* Female Pin: Copper Alloy, Gold Plated.
- \* Screw Nut: Zinc Alloy, Nickel Plated.
- \* Outer Mold: PU, Black.
- $\triangle B$  \* Cable: (A) UL2517, PVC Jacket, Yellow.  
(B) UL20549, PUR Jacket, Black.  
(D) UL2517, PVC Jacket, Black.
- \* Rated Voltage: 3 & 4Pin 250V dc. or ac.  
5Pin 60V dc. or ac.  
6~12Pin 30V dc. or ac.
- \* Rated Current: 3~5Pin 4A  
6~8Pin 2A  
10~12Pin 1.5A
- \* Operating Temperature: -25~85°C
- \* Cable Length Tolerance: 01M:±40mm  
02M~05M:±60mm  
06M~10M:±100mm  
11M~30M:±200mm  
31M~99M:±500mm

UNIT:mm		
TOLERANCE ±0.5mm		

TITLE M12 A Type Cable 90° Female Conn.		
SCALE 3:2	SIZE A4	SHEET 1 OF 3
REV. C	WC-REV. A.2	$\varnothing$ : Inspection item

**Amphenol LTW**  
安費諾亮泰企業股份有限公司

ITEM NO	DRAWN BY Yulong_wang	DATE 2016-08-13
DWG NO M12A-XXBFFM-SR8XXX	CHECKED BY Jinhai	DATE 2016-08-13
CUSTOMER ALTW	APPROVED BY Jerry	DATE 2016-08-13

THIS DOCUMENT IS SUBJECT TO CHANGE WITHOUT NOTICE. IT IS CONFIDENTIAL AND A PROPERTY OF Amphenol LTW. DISCLOSURE TO THIRD PARTY HAS TO BE AUTHORIZED BY Amphenol LTW.

THIS DOCUMENT IS SUBJECT TO CHANGE WITHOUT NOTICE. IT IS CONFIDENTIAL AND A PROPERTY OF Amphenol LTW. DISCLOSURE TO THIRD PARTY HAS TO BE AUTHORIZED BY Amphenol LTW.

1 2 3 4 5 6 7 8

△B	12P	PVC	6.0	26	M12A-12BFFM-SR8DXX	
	10P				M12A-10BFFM-SR8DXX	
△C	8P		5.5	24	M12A-08BFFM-SR8DXX	
	6P				M12A-06BFFM-SR8DXX	
△C	5P		5.1	22	M12A-05BFFM-SR8DXX	
	4P				M12A-04BFFM-SR8DXX	
	3P				M12A-03BFFM-SR8DXX	
	12P				M12A-12BFFM-SR8BXX	
△C	10P		PUR	6.0	26	M12A-10BFFM-SR8BXX
	8P					M12A-08BFFM-SR8BXX
△C	6P	5.5		24	M12A-06BFFM-SR8BXX	
	5P				M12A-05BFFM-SR8BXX	
△C	4P	5.1		22	M12A-04BFFM-SR8BXX	
	3P				M12A-03BFFM-SR8BXX	
	12P				M12A-12BFFM-SR8AXX	
	10P				M12A-10BFFM-SR8AXX	
△C	8P	PVC		5.5	24	M12A-08BFFM-SR8AXX
	6P					M12A-06BFFM-SR8AXX
△C	5P		5.1	22	M12A-05BFFM-SR8AXX	
	4P				M12A-04BFFM-SR8AXX	
	3P				M12A-03BFFM-SR8AXX	
	12P				M12A-12BFFM-SR8AXX	
Contacts			Cable Jacket	Cable OD	AWG	Item No.

M 12A - XX B F F M - S R 8 X XX

12A: A-Code

03: 3Pin

04: 4Pin

05: 5Pin

06: 6Pin △C

08: 8Pin

10: 10Pin

12: 12Pin

B: Cable Without S/R (線端無網尾)

F: Female Connector (母座)

F: Female Pin (母Pin)

XX: 01~99Meters  
 01: 01Meter  
 02: 02Meters  
 .  
 99: 99Meters

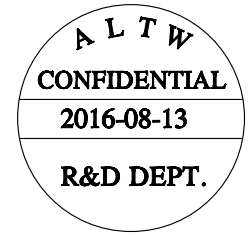
A: PVC UL2517 Cable, Yellow (PVC黃色外被線材)  
 B: PUR UL20549 Cable, Black (PUR黑色外被線材)  
 △B D: PVC UL2517 Cable, Black (PVC黑色外被線材)

8: IP68/69K (防水等級68/69K) △C

R: Right (90°線端)

S: Screw (螺紋式)

M: Molding Type (射出成型)



UNIT:mm		TITLE
TOLERANCE		M12 A Type Cable 90° Female Conn.
±0.5mm	SCALE 3:2	SIZE A4
	REV. C	WC-REV. A.2
		SHEET 2 OF 3
		QC: Inspection item

**Amphenol LTW**  
 安費諾亮泰企業股份有限公司

ITEM NO	DRAWN BY	DATE
DWG NO	Yulong_wang	2016-08-13
M12A-XXBFFM-SR8XXX	CHECKED BY	DATE
CUSTOMER	Jinhai	2016-08-13
ALTW	APPROVED BY	DATE
	Jerry	2016-08-13

1 2 3 4 5 6 7 8 FMN10702-01-02A1



## X-ON Electronics

Largest Supplier of Electrical and Electronic Components

*Click to view similar products for [Sensor Cables / Actuator Cables](#) category:*

*Click to view products by [Amphenol](#) manufacturer:*

Other Similar products are found below :

[60963](#) [60964](#) [703000D02F2002](#) [703001D02F0602](#) [703001D02F300](#) [704000D02F120](#) [773032K02F030](#) [802027107404-1](#) [802027213811-1](#)  
[804001A09M150](#) [805001A09M0502](#) [84914-0235](#) [84914-0237](#) [885030A09M020](#) [8R4J30E03C3003](#) [1200651332](#) [1200651713](#) [1200660844](#)  
[1200660845](#) [1200661173](#) [1200680071](#) [1200720053](#) [1200720081](#) [1200720099](#) [1200720217](#) [1200800231](#) [1200860125](#) [1200870123](#)  
[1200980102](#) [1200650267](#) [1200650298](#) [1200660183](#) [1200660782](#) [1200660849](#) [1200661295](#) [1200661297](#) [1200661342](#) [1200661343](#)  
[1200670080](#) [1200670220](#) [1200680331](#) [1200720252](#) [1200730184](#) [1200860344](#) [1200870359](#) [1200870643](#) [1200980008](#) [1200980031](#)  
[1210502211](#) [1210400542](#)