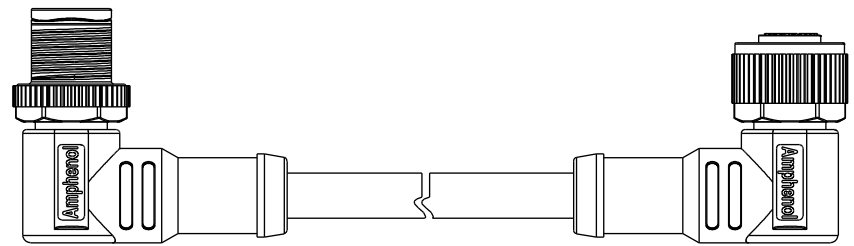
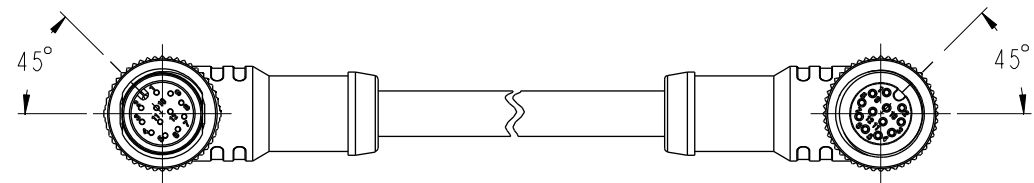
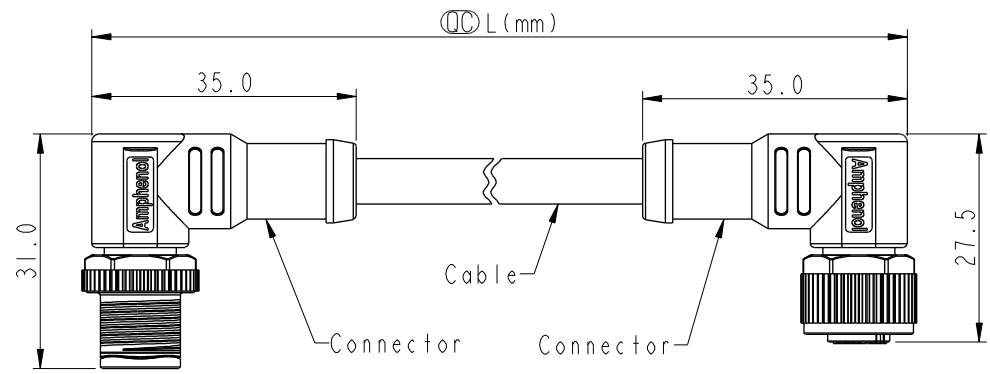




THIS DOCUMENT IS SUBJECT TO CHANGE WITHOUT NOTICE. IT IS CONFIDENTIAL AND A PROPERTY OF Amphenol LTW. DISCLOSURE TO THIRD PARTY HAS TO BE AUTHORIZED BY Amphenol LTW.

REV.	DESCRIPTION

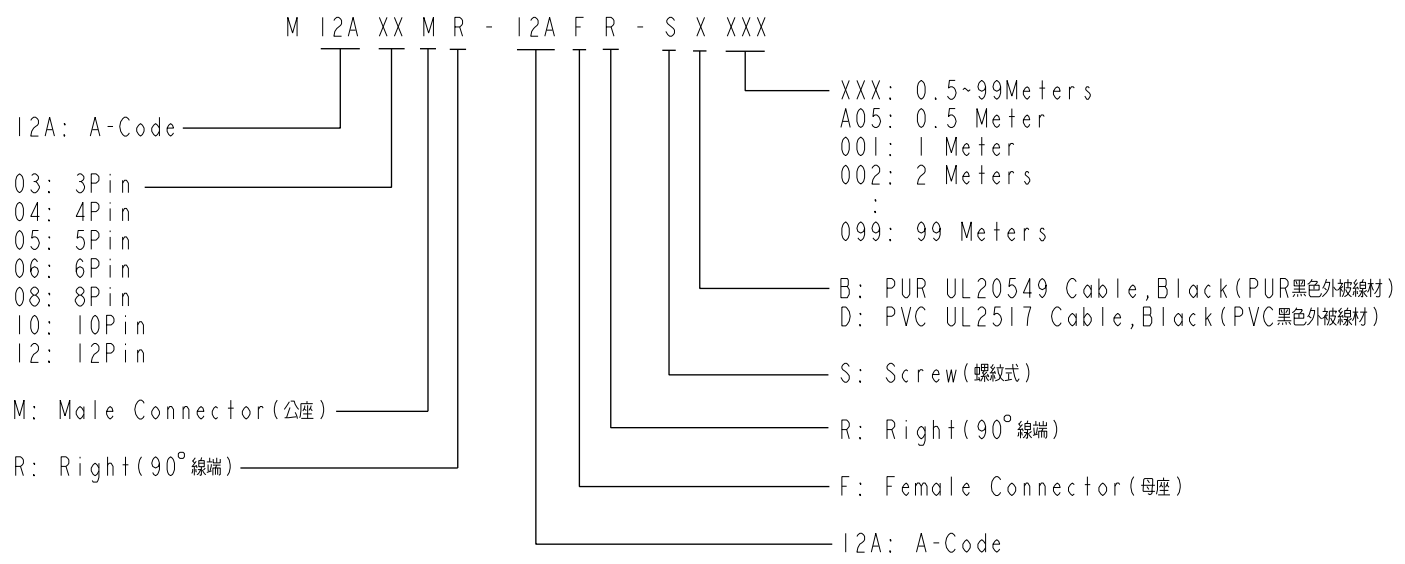


- Note:
- * \varnothing Important Dimension.
 - * Waterproof Rate: IP68, IP69K.
 - * Connector: PU+GF, Black.
 - * Pin: Copper Alloy, Gold Plated.
 - * Screw Nut: Zinc Alloy, Nickel Plated.
 - * Outer Mold: PU, Black.
 - * Cable: (B) UL20549, PUR Jacket, Black.
(D) UL2517, PVC Jacket, Black.
 - * Rated Voltage: 3 & 4Pin 250V dc. or ac.
5Pin 60V dc. or ac.
6~12Pin 30V dc. or ac.
 - * Rated Current: 3~5Pin 4A
6~8Pin 2A
10~12Pin 1.5A
 - * Cable Length Tolerance: 0.5±20mm
01±40mm
02M~05M:±60mm
06M~10M:±100mm
11M~30M:±200mm
31M~99M:±500mm

UNIT:mm TOLERANCE ±0.5 mm	 		TITLE MI2 A-Code Double Ended		<h1 style="text-align: center;">Amphenol LTW</h1> <h2 style="text-align: center;">安費諾亮泰企業股份有限公司</h2>		ITEM NO	DRAWN BY Vicky	DATE 2018-12-07
	SCALE 1:1		SIZE A4	SHEET 1 OF 3			DWG NO MI2AXXMR-12AFR-SXXXX	CHECKED BY Rita	DATE 2018-12-07
	REV. A		WC-REV.	\varnothing Inspection item	CUSTOMER ALTW	APPROVED BY Max	DATE 2018-12-07		

THIS DOCUMENT IS SUBJECT TO CHANGE WITHOUT NOTICE. IT IS CONFIDENTIAL AND A PROPERTY OF AMPHENOL LTW. DISCLOSURE TO THIRD PARTY HAS TO BE AUTHORIZED BY AMPHENOL LTW.

12P	PVC	6.0	26	M12A12MR-12AFR-SDXXX		
10P				M12A10MR-12AFR-SDXXX		
8P				M12A08MR-12AFR-SDXXX		
6P		5.5	24	M12A06MR-12AFR-SDXXX		
5P				M12A05MR-12AFR-SDXXX		
4P				M12A04MR-12AFR-SDXXX		
3P	4.8	22	M12A03MR-12AFR-SDXXX			
12P			PUR	6.0	26	M12A12MR-12AFR-SBXXX
10P						M12A10MR-12AFR-SBXXX
8P	M12A08MR-12AFR-SBXXX					
6P	4.8	24		M12A06MR-12AFR-SBXXX		
5P				M12A05MR-12AFR-SBXXX		
4P				M12A04MR-12AFR-SBXXX		
3P	4.4	22	M12A03MR-12AFR-SBXXX			
12P			6.0	26	M12A12MR-12AFR-SBXXX	
10P					M12A10MR-12AFR-SBXXX	
8P	M12A08MR-12AFR-SBXXX					
6P	5.0	24	M12A06MR-12AFR-SBXXX			
5P			M12A05MR-12AFR-SBXXX			
4P			M12A04MR-12AFR-SBXXX			
3P	4.0	22	M12A03MR-12AFR-SBXXX			
12P			6.0	26	M12A12MR-12AFR-SBXXX	
10P					M12A10MR-12AFR-SBXXX	
8P	M12A08MR-12AFR-SBXXX					
6P	5.0	24	M12A06MR-12AFR-SBXXX			
5P			M12A05MR-12AFR-SBXXX			
4P			M12A04MR-12AFR-SBXXX			
3P	3.8	22	M12A03MR-12AFR-SBXXX			
Contacts			Cable Jacket	Cable OD	AWG	Item No.



A	UNIT:mm		TITLE M12 A-Code Double Ended		<h1 style="text-align: center;">Amphenol LTW</h1> <h2 style="text-align: center;">安費諾亮泰企業股份有限公司</h2>		ITEM NO	DRAWN BY Vicky	DATE 2018-12-07
	TOLERANCE	SCALE 1:1	SIZE A4	SHEET 2 OF 3			DWG NO M12AXXMR-12AFR-SXXXX	CHECKED BY Rita	DATE 2018-12-07
		REV. A	WC-REV.	QC: Inspection item	CUSTOMER ALTW	APPROVED BY Max	DATE 2018-12-07		

	1	2	3	4	5	6	7	8
Pin Out	5 -- 4 Black 黑 3 Blue 藍 2 -- 1 Brown 棕	5 -- 4 Black 黑 3 Blue 藍 2 White 白 1 Brown 棕	5 Gray 灰 4 Black 黑 3 Blue 藍 2 White 白 1 Brown 棕	8 -- 7 Blue 藍 6 Pink 粉 5 -- 4 Yellow 黃 3 Green 綠 2 Brown 棕 1 White 白	8 Red 紅 7 Blue 藍 6 Pink 粉 5 Gray 灰 4 Yellow 黃 3 Green 綠 2 Brown 棕 1 White 白	12 -- 11 -- 10 Violet 紫 9 Black 黑 8 Red 紅 7 Blue 藍 6 Pink 粉 5 Gray 灰 4 Yellow 黃 3 Green 綠 2 Brown 棕 1 White 白	12 Red/Blue 紅/藍 11 Gray/Pink 灰/粉 10 Violet 紫 9 Black 黑 8 Red 紅 7 Blue 藍 6 Pink 粉 5 Gray 灰 4 Yellow 黃 3 Green 綠 2 Brown 棕 1 White 白	
	Pin # Wire	Pin # Wire	Pin # Wire	Pin # Wire	Pin # Wire	Pin # Wire	Pin # Wire	Pin # Wire
C2								
C1								
Pin Assignments Front View								

UNIT:mm TOLERANCE			TITLE MI2 A-Code Double Ended		<h1 style="text-align: center;">Amphenol LTW</h1> <h2 style="text-align: center;">安費諾亮泰企業股份有限公司</h2>		ITEM NO	DRAWN BY Vicky	DATE 2018-12-07
	SCALE 1:1	SIZE A4	SHEET 3 OF 3	DWG NO MI2AXXMR-12AFR-SXXXX			CHECKED BY Rita	DATE 2018-12-07	
	REV. A	WC-REV.	QC: Inspection item	CUSTOMER ALTW	APPROVED BY Max	DATE 2018-12-07			

X-ON Electronics

Largest Supplier of Electrical and Electronic Components

Click to view similar products for [Sensor Cables / Actuator Cables](#) category:

Click to view products by [Amphenol](#) manufacturer:

Other Similar products are found below :

[1300070444](#) [43-10984](#) [M83513/19-F01CP](#) [704000D02F120](#) [MDM15SH001K](#) [MDM25PH003BF222](#) [802027107404-1](#) [885030A09M010](#)
[885030A09M020](#) [1200650174](#) [1200651332](#) [1200651713](#) [1200660171](#) [1200660208](#) [1200660343](#) [1200660804](#) [1200660845](#) [1200660926](#)
[1200660977](#) [1200661173](#) [1200661354](#) [120066-1712](#) [1200720053](#) [1200720099](#) [1200720153](#) [1200720172](#) [1200720217](#) [1200720226](#)
[1200720251](#) [1200720285](#) [1200720296](#) [1200720404](#) [1200720537](#) [1200730148](#) [1200730378](#) [1200800231](#) [1200860112](#) [1200860121](#)
[1200860125](#) [1200860337](#) [1200860365](#) [1200860420](#) [1200870046](#) [1200870123](#) [1200870248](#) [1200980102](#) [1200660181](#) [1200660183](#)
[1200660827](#) [1200660849](#)