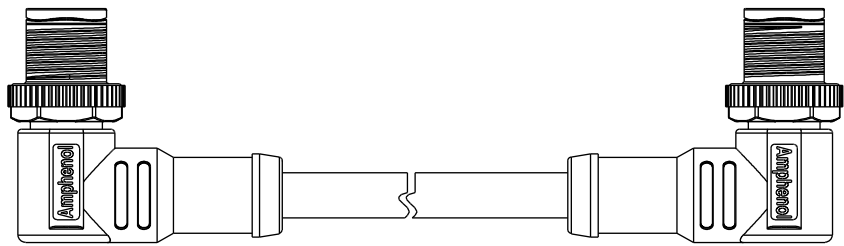
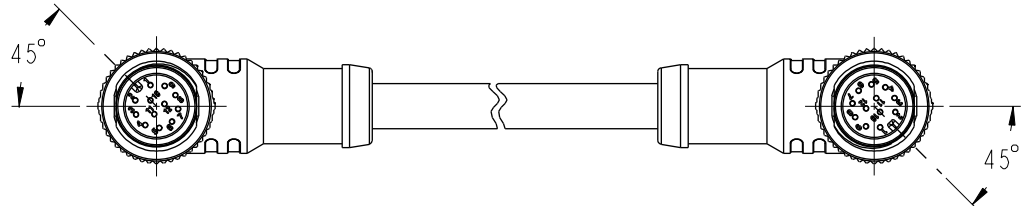
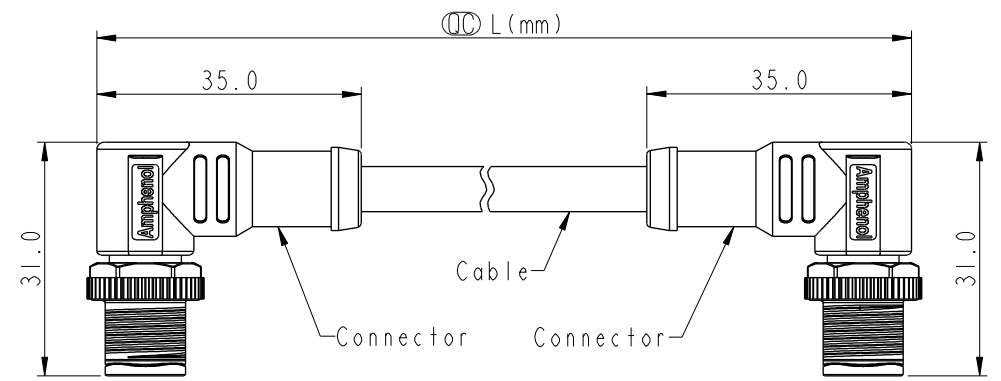


THIS DOCUMENT IS SUBJECT TO CHANGE WITHOUT NOTICE. IT IS CONFIDENTIAL AND A PROPERTY OF Amphenol LTW. DISCLOSURE TO THIRD PARTY HAS TO BE AUTHORIZED BY Amphenol LTW.

| REV. | DESCRIPTION |
|------|-------------|
| | |
| | |
| | |



- Note:
- * Ⓞ Important Dimension.
 - * Waterproof Rate: IP68, IP69K.
 - * Connector: PU+GF, Black.
 - * Pin: Copper Alloy, Gold Plated.
 - * Screw Nut: Zinc Alloy, Nickel Plated.
 - * Outer Mold: PU, Black.
 - * Cable: (B) UL20549, PUR Jacket, Black.
(D) UL2517, PVC Jacket, Black.
 - * Rated Voltage: 3 & 4Pin 250V dc. or ac.
5Pin 60V dc. or ac.
6~12Pin 30V dc. or ac.
 - * Rated Current: 3~5Pin 4A
6~8Pin 2A
10~12Pin 1.5A
 - * Cable Length Tolerance: 0.5±20mm
01±40mm
02M~05M:±60mm
06M~10M:±100mm
11M~30M:±200mm
31M~99M:±500mm

| | | |
|-----------|---------|--|
| UNIT:mm | | |
| TOLERANCE | ±0.5 mm | |

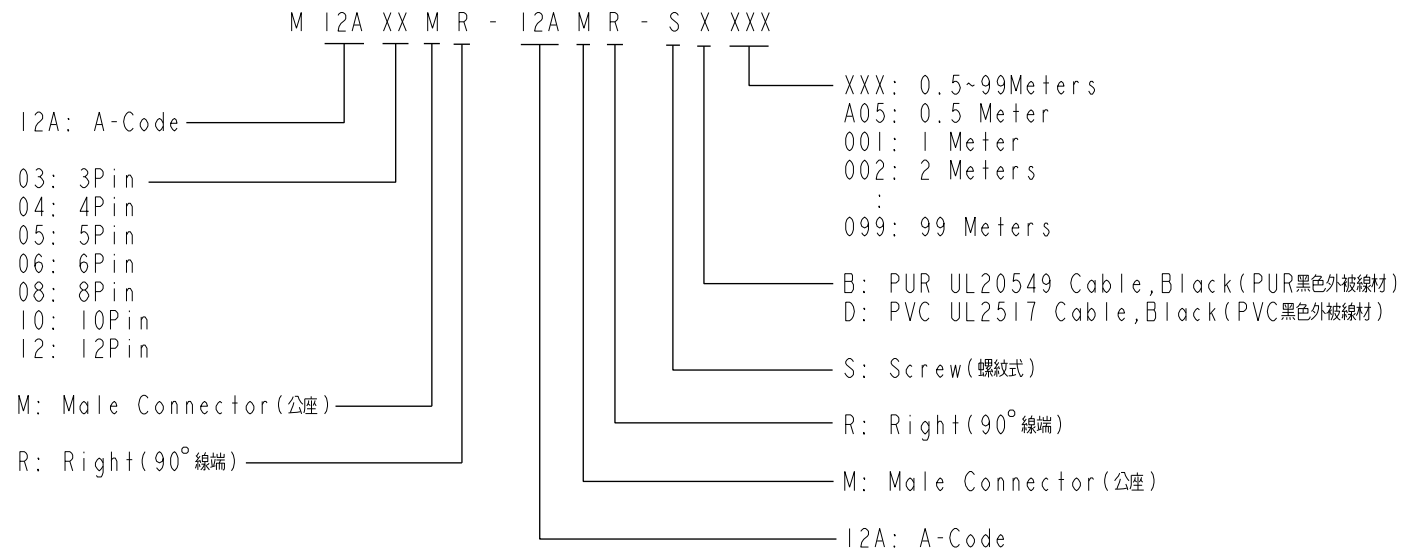
| | | |
|----------------------------------|------------|------------------------------|
| TITLE MI2 A-Code Double Ended | | |
| SCALE 1:1 | SIZE A4 | SHEET 1 OF 3 |
| REV. A | WC-REV. | Ⓞ : Inspection item |

Amphenol LTW
安費諾亮泰企業股份有限公司

| | | |
|--------------------------------|--------------------|--------------------|
| ITEM NO | DRAWN BY Vicky | DATE 2018-12-07 |
| DWG NO MI2AXXMR-12AMR-SXXXX | CHECKED BY Rita | DATE 2018-12-07 |
| CUSTOMER ALTW | APPROVED BY Max | DATE 2018-12-07 |

THIS DOCUMENT IS SUBJECT TO CHANGE WITHOUT NOTICE. IT IS CONFIDENTIAL AND A PROPERTY OF Amphenol LTW. DISCLOSURE TO THIRD PARTY HAS TO BE AUTHORIZED BY Amphenol LTW.

| Contacts | Cable Jacket | Cable OD | AWG | Item No. |
|----------|--------------|----------|-----|----------------------|
| 12P | PVC | 6.0 | 26 | MI2A12MR-12AMR-SDXXX |
| 10P | | | | MI2A10MR-12AMR-SDXXX |
| 8P | | 5.5 | 24 | MI2A08MR-12AMR-SDXXX |
| 6P | | 5.0 | | MI2A06MR-12AMR-SDXXX |
| 5P | | 5.1 | 22 | MI2A05MR-12AMR-SDXXX |
| 4P | | 4.8 | | MI2A04MR-12AMR-SDXXX |
| 3P | | 4.5 | | MI2A03MR-12AMR-SDXXX |
| 12P | PUR | 6.0 | | 26 |
| 10P | | | | MI2A10MR-12AMR-SBXXX |
| 8P | | 4.8 | 24 | MI2A08MR-12AMR-SBXXX |
| 6P | | 5.0 | | MI2A06MR-12AMR-SBXXX |
| 5P | | 4.4 | 22 | MI2A05MR-12AMR-SBXXX |
| 4P | | 4.0 | | MI2A04MR-12AMR-SBXXX |
| 3P | | 3.8 | | MI2A03MR-12AMR-SBXXX |



UNIT:mm

TOLERANCE

| | | |
|----------------------------------|------------|---------------------|
| TITLE MI2 A-Code Double Ended | | |
| SCALE 1:1 | SIZE A4 | SHEET 2 OF 3 |
| REV. A | WC-REV. | QC: Inspection item |

Amphenol LTW
安費諾亮泰企業股份有限公司

| | | |
|--------------------------------|--------------------|--------------------|
| ITEM NO | DRAWN BY Vicky | DATE 2018-12-07 |
| DWG NO MI2AXXMR-12AMR-SXXXX | CHECKED BY Rita | DATE 2018-12-07 |
| CUSTOMER ALTW | APPROVED BY Max | DATE 2018-12-07 |

| Pin Out | Wire | Wire | Wire | Wire | Wire | Wire | Wire |
|---------|--------|------|------|-----------|------|------|------|
| 12 | -- | | 12 | Red/Blue | 紅/藍 | | |
| 11 | -- | | 11 | Gray/Pink | 灰/粉 | | |
| 10 | Violet | 紫 | 10 | Violet | 紫 | | |
| 9 | Black | 黑 | 9 | Black | 黑 | | |
| 8 | Red | 紅 | 8 | Red | 紅 | | |
| 7 | Blue | 藍 | 7 | Blue | 藍 | | |
| 6 | Pink | 粉 | 6 | Pink | 粉 | | |
| 5 | Gray | 灰 | 5 | Gray | 灰 | | |
| 4 | Yellow | 黃 | 4 | Yellow | 黃 | | |
| 3 | Green | 綠 | 3 | Green | 綠 | | |
| 2 | Brown | 棕 | 2 | Brown | 棕 | | |
| 1 | White | 白 | 1 | White | 白 | | |

| Pin # | Wire | Wire | Wire | Wire | Wire | Wire | Wire |
|-------|-------|------|------|-------|------|------|-------|
| 5 | -- | | 5 | Gray | 灰 | 5 | Gray |
| 4 | Black | 黑 | 4 | Black | 黑 | 4 | Black |
| 3 | Blue | 藍 | 3 | Blue | 藍 | 3 | Blue |
| 2 | -- | | 2 | White | 白 | 2 | White |
| 1 | Brown | 棕 | 1 | Brown | 棕 | 1 | Brown |

| Pin # | Wire | Wire | Wire | Wire | Wire | Wire | Wire |
|-------|--------|------|------|--------|------|------|--------|
| 8 | -- | | 8 | Red | 紅 | 8 | Red |
| 7 | Blue | 藍 | 7 | Blue | 藍 | 7 | Blue |
| 6 | Pink | 粉 | 6 | Pink | 粉 | 6 | Pink |
| 5 | -- | | 5 | Gray | 灰 | 5 | Gray |
| 4 | Yellow | 黃 | 4 | Yellow | 黃 | 4 | Yellow |
| 3 | Green | 綠 | 3 | Green | 綠 | 3 | Green |
| 2 | Brown | 棕 | 2 | Brown | 棕 | 2 | Brown |
| 1 | White | 白 | 1 | White | 白 | 1 | White |

| Pin # | Wire | Wire | Wire | Wire | Wire | Wire | Wire |
|-------|--------|------|------|-----------|------|------|-----------|
| 12 | -- | | 12 | Red/Blue | 紅/藍 | 12 | Red/Blue |
| 11 | -- | | 11 | Gray/Pink | 灰/粉 | 11 | Gray/Pink |
| 10 | Violet | 紫 | 10 | Violet | 紫 | 10 | Violet |
| 9 | Black | 黑 | 9 | Black | 黑 | 9 | Black |
| 8 | Red | 紅 | 8 | Red | 紅 | 8 | Red |
| 7 | Blue | 藍 | 7 | Blue | 藍 | 7 | Blue |
| 6 | Pink | 粉 | 6 | Pink | 粉 | 6 | Pink |
| 5 | Gray | 灰 | 5 | Gray | 灰 | 5 | Gray |
| 4 | Yellow | 黃 | 4 | Yellow | 黃 | 4 | Yellow |
| 3 | Green | 綠 | 3 | Green | 綠 | 3 | Green |
| 2 | Brown | 棕 | 2 | Brown | 棕 | 2 | Brown |
| 1 | White | 白 | 1 | White | 白 | 1 | White |

| Pin # | Wire | Wire | Wire | Wire | Wire | Wire | Wire |
|-------|--------|------|------|-----------|------|------|-----------|
| 12 | -- | | 12 | Red/Blue | 紅/藍 | 12 | Red/Blue |
| 11 | -- | | 11 | Gray/Pink | 灰/粉 | 11 | Gray/Pink |
| 10 | Violet | 紫 | 10 | Violet | 紫 | 10 | Violet |
| 9 | Black | 黑 | 9 | Black | 黑 | 9 | Black |
| 8 | Red | 紅 | 8 | Red | 紅 | 8 | Red |
| 7 | Blue | 藍 | 7 | Blue | 藍 | 7 | Blue |
| 6 | Pink | 粉 | 6 | Pink | 粉 | 6 | Pink |
| 5 | Gray | 灰 | 5 | Gray | 灰 | 5 | Gray |
| 4 | Yellow | 黃 | 4 | Yellow | 黃 | 4 | Yellow |
| 3 | Green | 綠 | 3 | Green | 綠 | 3 | Green |
| 2 | Brown | 棕 | 2 | Brown | 棕 | 2 | Brown |
| 1 | White | 白 | 1 | White | 白 | 1 | White |

Pin Assignments Front View

| | | | | | | | |
|----------------------|----------------------------------|------------|--|---------------------|--------------------------------|--------------------|--------------------|
| UNIT:mm TOLERANCE | TITLE MI2 A-Code Double Ended | | <h1>Amphenol LTW</h1> <p>安費諾亮泰企業股份有限公司</p> | ITEM NO | DRAWN BY | DATE | |
| | SCALE 1:1 | SIZE A4 | | SHEET 3 OF 3 | DWG NO MI2AXXMR-12AMR-SXXXX | CHECKED BY Rita | DATE 2018-12-07 |
| | REV. A | WC-REV. | | QC: Inspection item | CUSTOMER ALTW | APPROVED BY Max | DATE 2018-12-07 |

X-ON Electronics

Largest Supplier of Electrical and Electronic Components

Click to view similar products for [Sensor Cables / Actuator Cables](#) category:

Click to view products by [Amphenol](#) manufacturer:

Other Similar products are found below :

[1300070444](#) [43-10984](#) [M83513/19-F01CP](#) [704000D02F120](#) [MDM15SH001K](#) [MDM25PH003BF222](#) [802027107404-1](#) [885030A09M010](#)
[885030A09M020](#) [1200650174](#) [1200651332](#) [1200651713](#) [1200660171](#) [1200660208](#) [1200660343](#) [1200660804](#) [1200660845](#) [1200660926](#)
[1200660977](#) [1200661173](#) [1200661354](#) [120066-1712](#) [1200720053](#) [1200720099](#) [1200720153](#) [1200720172](#) [1200720217](#) [1200720226](#)
[1200720251](#) [1200720285](#) [1200720296](#) [1200720404](#) [1200720537](#) [1200730148](#) [1200730378](#) [1200800231](#) [1200860112](#) [1200860121](#)
[1200860125](#) [1200860337](#) [1200860365](#) [1200860420](#) [1200870046](#) [1200870123](#) [1200870248](#) [1200980102](#) [1200660181](#) [1200660183](#)
[1200660827](#) [1200660849](#)