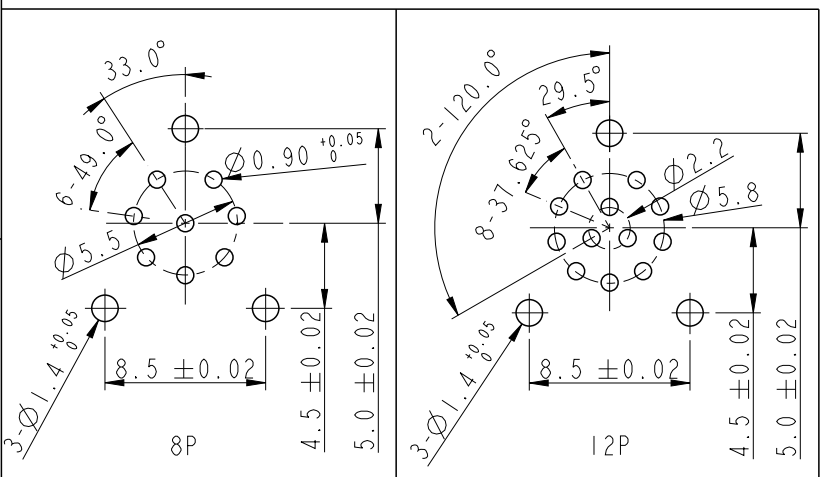
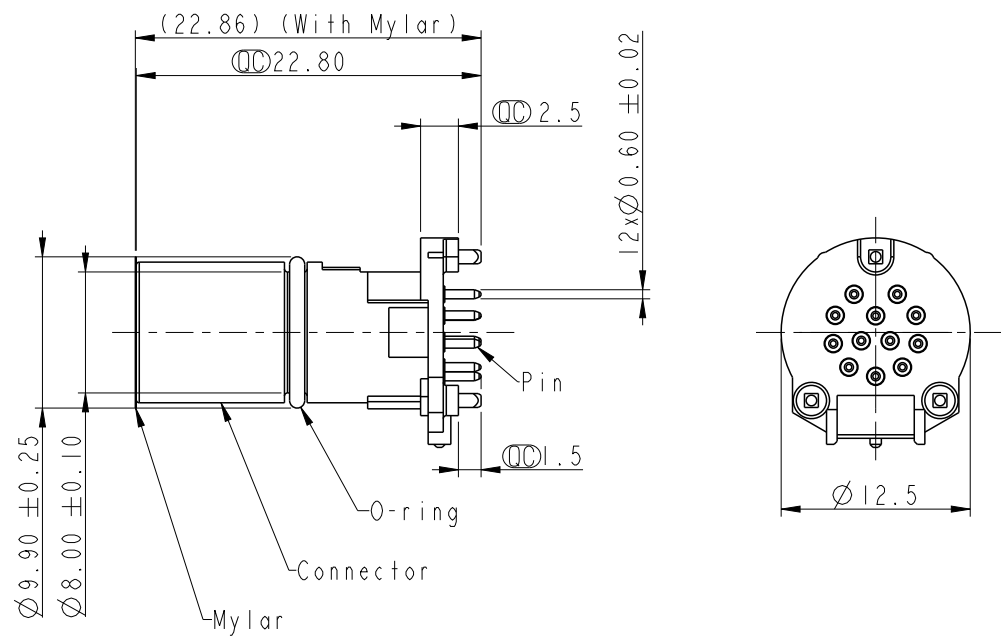


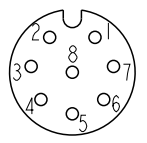
THIS DOCUMENT IS SUBJECT TO CHANGE WITHOUT NOTICE. IT IS CONFIDENTIAL AND A PROPERTY OF Amphenol LTW. DISCLOSURE TO THIRD PARTY HAS TO BE AUTHORIZED BY Amphenol LTW.

REV.	ECN NO.	DATE	SIGN	DESCRIPTION
A		2022/03/03	Roy Lin	Rev.03 to Rev.A
B	C220597	2022/04/13	Roy Lin	$\triangle B \times 4$

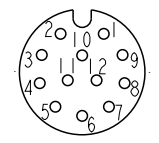
M12A-XXPMP-EE0001
 XX: No. Of Pin



PCB Layout



8P



12P

Pin Assignment Front View

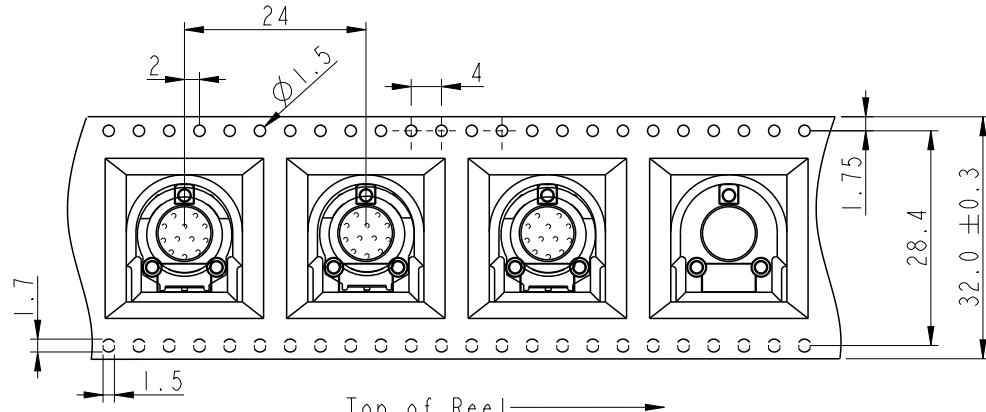
- Note:
- * RoHS Compliant
 - * \varnothing Important Dimension
 - * Waterproof Rate: Non-Waterproof
 - * Connector:
 Housing: Thermoplastic, Black
 Pin: Copper Alloy, Gold Plated.
 - * O-ring: Rubber, Gray
 - * Recommend pcb thickness: 1.0 mm

UNIT:mm			TITLE SEN, CONN, INSERT, M12A MM, OTHERS, 1.5A, 1END
TOLERANCE .X ±0.25 .XX ±0.1 .XXX ±0.05 ANGLES ±1°	SCALE 1:1	SIZE A4	SHEET 1 OF 3
	REV. B	WC-REV. .0	\varnothing : Inspection item

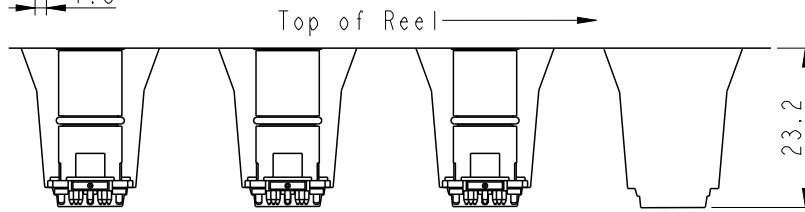
Amphenol LTW
 安費諾亮泰企業股份有限公司

ITEM NO	DRAWN BY Roy Lin	DATE 2022-03-03
DWG NO M12A-XXPMP-EE0001	CHECKED BY Victor Hung	DATE 2022-03-03
CUSTOMER ALTW	APPROVED BY Max Yang	DATE 2022-03-03

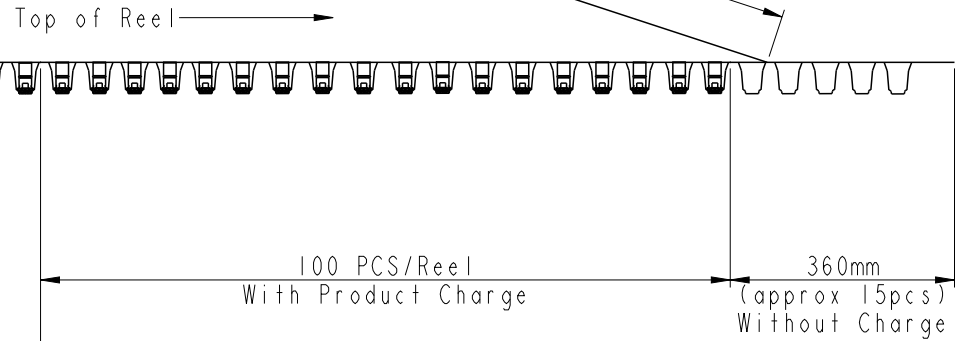
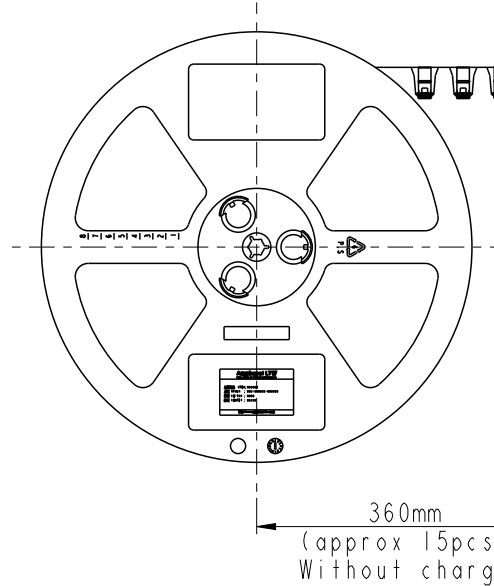
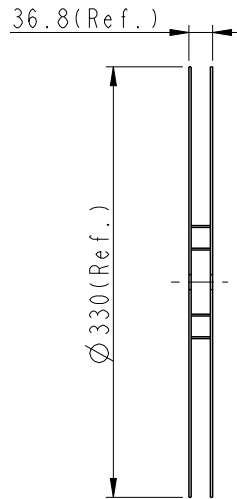
Tape & Reel Information:



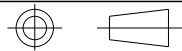
Note:
 * Connector Orientation Follow Drawing



Wide Cover Tape Around
 Out Periphery 1 Turn
 Peeling Strength 0.1~1.3N Max.
 (300±10mm/min)
 Peeling Angle
 165~180°



UNIT:mm
 TOLERANCE



TITLE SEN, CONN, INSER, M12A MM, OTHERS, 1.5A, 1END			
SCALE 1:1	SIZE A4	SHEET 2 OF 3	
REV. B	WC-REV. 1	Inspection item	

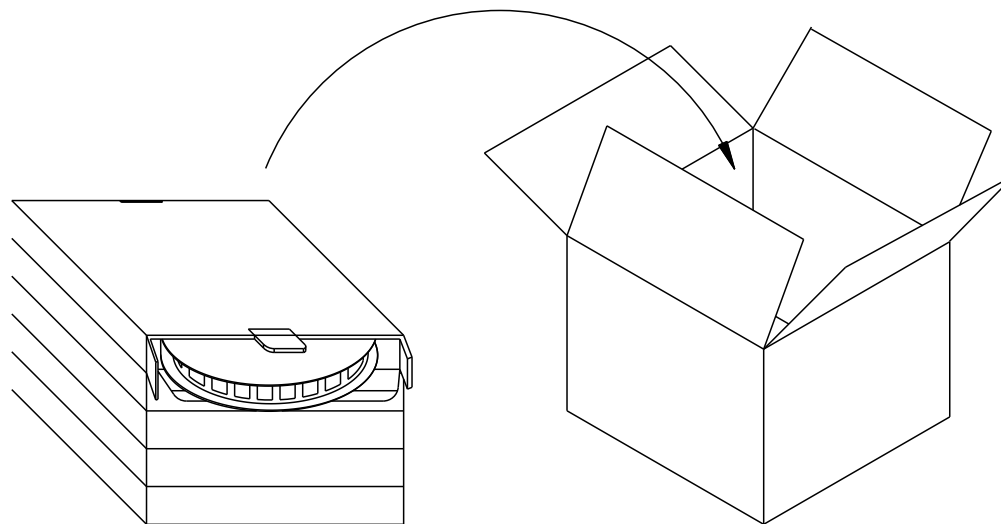
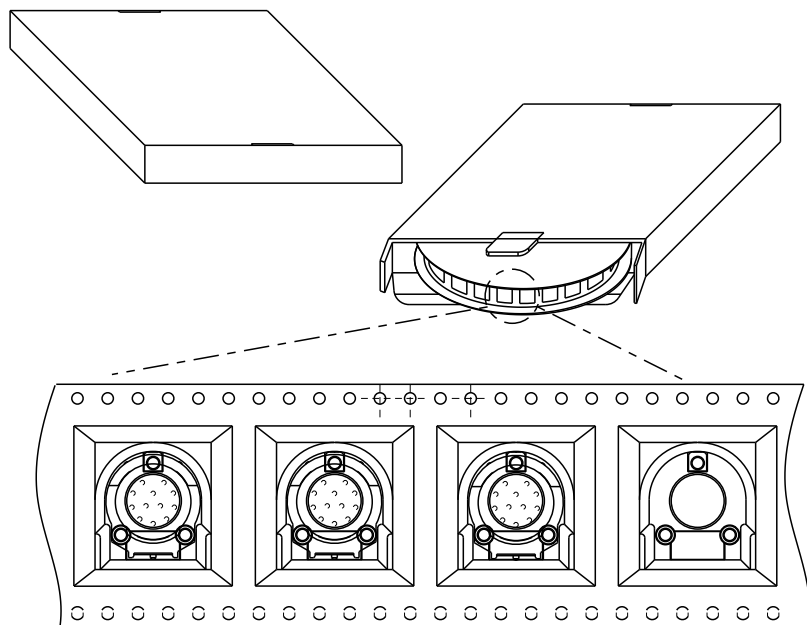
Amphenol LTW
 安費諾亮泰企業股份有限公司

ITEM NO	DRAWN BY Roy Lin	DATE 2022-03-03
DWG NO M12A-XXPMMP-EE0001	CHECKED BY Victor Hung	DATE 2022-03-03
CUSTOMER ALTW	APPROVED BY Max Yang	DATE 2022-03-03

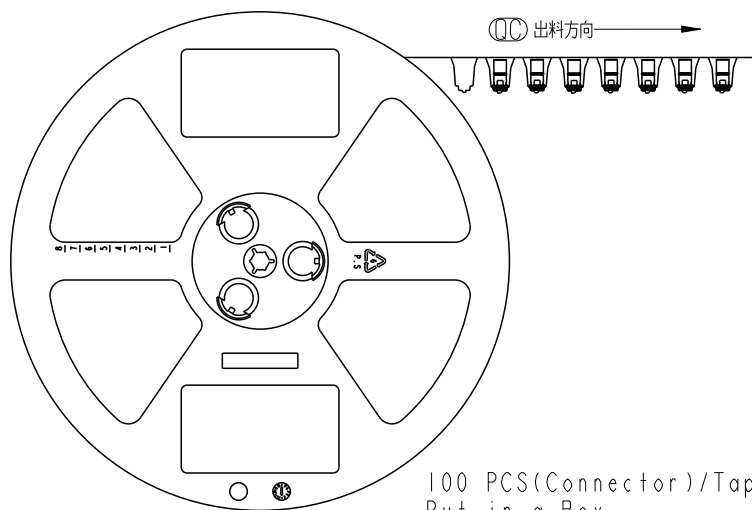
THIS DOCUMENT IS SUBJECT TO CHANGE WITHOUT NOTICE. IT IS CONFIDENTIAL AND A PROPERTY OF Amphenol LTW. DISCLOSURE TO THIRD PARTY HAS TO BE AUTHORIZED BY Amphenol LTW.

THIS DOCUMENT IS SUBJECT TO CHANGE WITHOUT NOTICE. IT IS CONFIDENTIAL AND A PROPERTY OF Amphenol LTW. DISCLOSURE TO THIRD PARTY HAS TO BE AUTHORIZED BY Amphenol LTW.

Package:

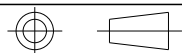


One Carton can put in the 5PCS(Max.) Box
(500 PCS/Carton)



100 PCS(Connector)/Tape&Reel,
Put in a Box

UNIT:mm



TOLERANCE

TITLE SEN, CONN, INSERT, M12A MM, OTHERS, 1.5A, 1END			
SCALE 1:1	SIZE A4	SHEET 3 OF 3	
REV. B	WC-REV. 1	QC: Inspection item	

Amphenol LTW
安費諾亮泰企業股份有限公司

ITEM NO	DRAWN BY Roy Lin	DATE 2022-03-03
DWG NO M12A-XXPMMP-EE0001	CHECKED BY Victor Hung	DATE 2022-03-03
CUSTOMER ALTW	APPROVED BY Max Yang	DATE 2022-03-03

X-ON Electronics

Largest Supplier of Electrical and Electronic Components

Click to view similar products for [Circular Metric Connectors](#) category:

Click to view products by [Amphenol](#) manufacturer:

Other Similar products are found below :

[600X518037X](#) [MA1EAF1200](#) [6STD15PCR99B70A](#) [8R4000A16M020](#) [8R4A00A18M020](#) [8R5000A16M005](#) [1200910008](#) [1200910011](#)
[1300140094](#) [130203-0054](#) [1300150099](#) [RF-12S1N8A90DU](#) [1-3637-600-5205](#) [1612618](#) [8R4006A16M010](#) [8R5006A18A120](#) [1604232](#)
[1R3006A20M005](#) [RF-12P1N8A80DU](#) [RF-12P1N8A90DU](#) [41-01016](#) [41-40011](#) [41-40017](#) [42-01015](#) [4-22279-4](#) [4-22281-1](#) [4-22284-9](#) [43-](#)
[00002](#) [43-01166](#) [41-40005](#) [41-40016](#) [43-00161](#) [43-01191](#) [XS3P-M421-2](#) [600X518050X](#) [SACC-DSI-FS-5P-PG9-L180 SC](#) [8R4006A16A120](#)
[8R4000A16M010](#) [RKC 50/16](#) [1R3004A20A1201](#) [6-22279-3](#) [N03FA03144](#) [1300140077](#) [XS8A-0441](#) [859RD04-103R004](#) [860RD04-113R004](#)
[860RD04-213R004](#) [860-X08-213R004](#) [1-213245-2](#) [2273142-2](#)