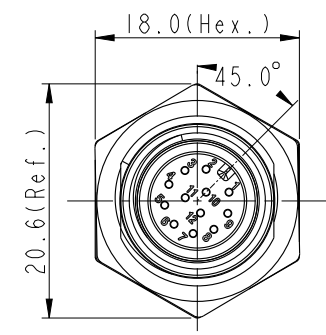
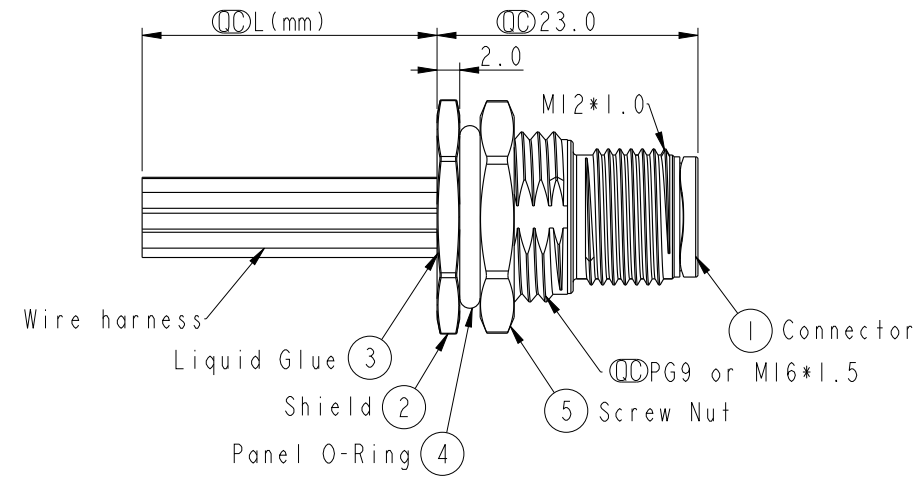
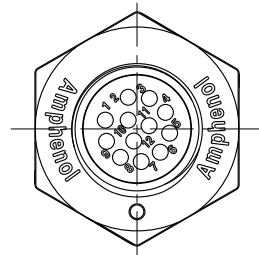


THIS DOCUMENT IS SUBJECT TO CHANGE WITHOUT NOTICE. IT IS CONFIDENTIAL AND A PROPERTY OF Amphenol LTW. DISCLOSURE TO THIRD PARTY HAS TO BE AUTHORIZED BY Amphenol LTW.

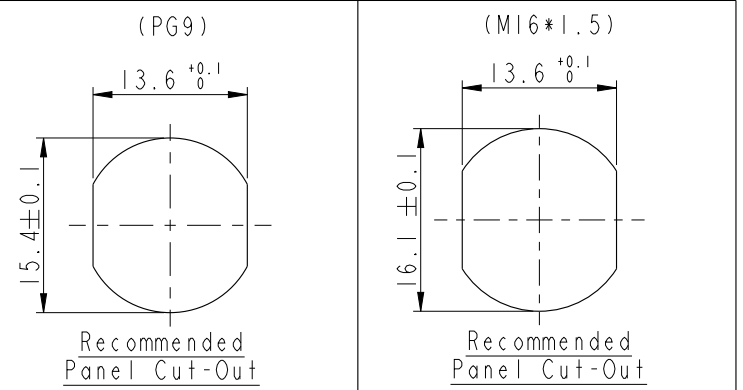
REV.	ECN NO.	DATE	SIGN	DESCRIPTION
B	LE31570252-261	2015/07/23	Yulong_wang	Change to Share Drawing.
C	LEN1680569-580 LEN1680598-603	2016/08/08	Yulong_wang	Add 6Pin & IP69K.

△



ALTW
CONFIDENTIAL
2016-08-08
R&D DEPT.

- Notes:
- * \varnothing Important Dimension.
 - △ * Waterproof Rate: IP68, IP69K.
 - * Connector: Nylon+GF, Black.
 - * Male Pin: Copper Alloy, Gold Plated.
 - * Shield: Zinc Alloy, Nickel Plated.
 - * Screw Nut: Zinc Alloy, Nickel Plated.
 - * Panel O-Ring: Viton, Black.
 - * Wire harness: UL1061
 - * Rated Voltage: 3 & 4Pin 250V dc. or ac.
5Pin 60V dc. or ac.
6~12Pin 30V dc. or ac.
 - * Rated Current: 3~5Pin 4A
6~8Pin 2A
10~12Pin 1.5A
 - * Operating Temperature: -25~85°C
 - * For Panel Thickness Max 4.5mm.
 - * Nut Torque: 4-6 Kgf.cm.
 - * Wire harness Tolerance: 150~300 ±15mm
301~1000 ±20mm
Over1000 ±40mm



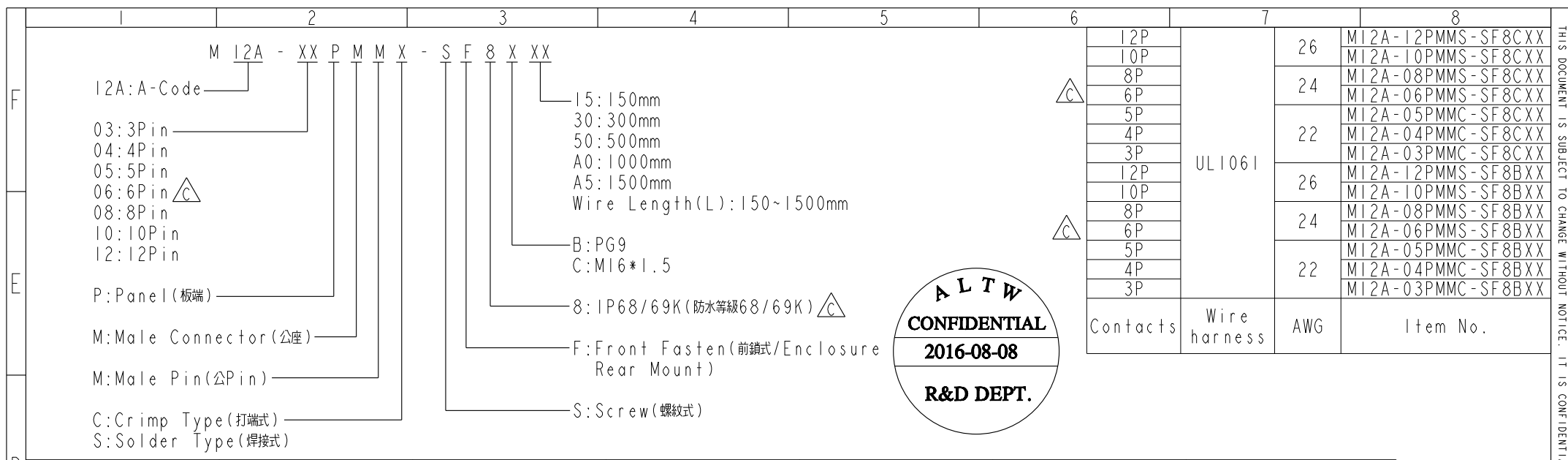
UNIT: mm		
TOLERANCE		
.X	±0.25	
.XX	±0.1	
.XXX	±0.05	
ANGLES	±1°	

TITLE M12 A-Code Male Conn. Panel Front With Wire harness			
SCALE 3:2	SIZE A4	SHEET 1 OF 2	
REV. C	WC-REV. A.3	\varnothing : Inspection item	

Amphenol LTW
安費諾亮泰企業股份有限公司

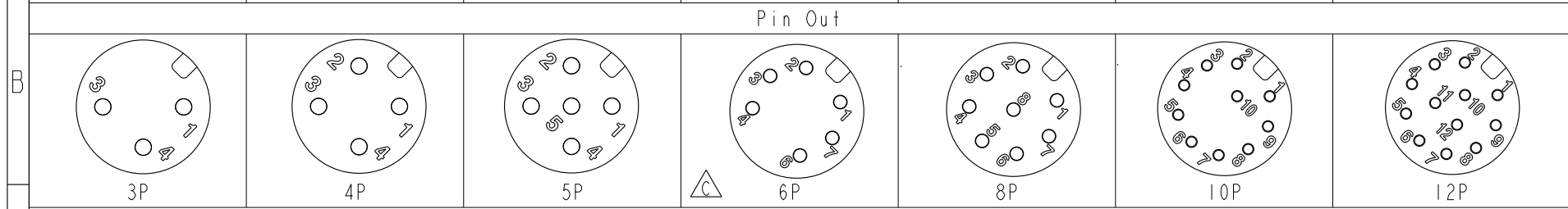
ITEM NO.	DRAWN BY Yulong_wang	DATE 2016-08-08
DWG NO. M12A-XXPMMX-SF8XXX	CHECKED BY Jinhai	DATE 2016-08-08
CUSTOMER ALTW	APPROVED BY Jerry	DATE 2016-08-08

THIS DOCUMENT IS SUBJECT TO CHANGE WITHOUT NOTICE. IT IS CONFIDENTIAL AND A PROPERTY OF Amphenol LTW. DISCLOSURE TO THIRD PARTY HAS TO BE AUTHORIZED BY Amphenol LTW.



12P	UL1061	26	M12A-12PMMS-SF8CXX
10P			M12A-10PMMS-SF8CXX
8P		24	M12A-08PMMS-SF8CXX
6P			M12A-06PMMS-SF8CXX
5P		22	M12A-05PMMC-SF8CXX
4P			M12A-04PMMC-SF8CXX
3P			M12A-03PMMC-SF8CXX
12P		26	M12A-12PMMS-SF8BXX
10P			M12A-10PMMS-SF8BXX
8P		24	M12A-08PMMS-SF8BXX
6P			M12A-06PMMS-SF8BXX
5P		22	M12A-05PMMC-SF8BXX
4P	M12A-04PMMC-SF8BXX		
3P	M12A-03PMMC-SF8BXX		
Contacts	Wire harness	AWG	Item No.

5	--	5	--	5	Gray	灰	5	Gray	灰	5	Red	紅	12	--	12	Red/Blue	紅/藍	
4	Black	4	Black	4	Black	黑	4	Black	黑	4	Blue	藍	11	--	11	Gray/Pink	灰/粉	
3	Blue	3	Blue	3	Blue	藍	3	Blue	藍	3	Pink	粉	10	Violet	10	Violet	紫	
2	--	2	White	2	White	白	2	White	白	2	Gray	灰	9	Black	9	Black	黑	
1	Brown	1	Brown	1	Brown	棕	1	Brown	棕	1	Yellow	黃	8	Red	8	Red	紅	
											8	Blue	藍	7	Blue	7	Blue	藍
											6	Pink	粉	6	Pink	6	Pink	粉
											5	Gray	灰	5	Gray	5	Gray	灰
											4	Yellow	黃	4	Yellow	4	Yellow	黃
											3	Green	綠	3	Green	3	Green	綠
											2	Brown	棕	2	Brown	2	Brown	棕
											1	White	白	1	White	1	White	白



Pin Assignments Front View

UNIT: mm		TITLE M12 A-Code Male Conn. Panel Front With Wire harness		Amphenol LTW 安費諾亮泰企業股份有限公司		ITEM NO	DRAWN BY	DATE	
		SCALE 3:2	SIZE A4			SHEET 2 OF 2	DWG NO M12A-XXPMMC-SF8XXX	CHECKED BY Jinhai	DATE 2016-08-08
		REV. C	WC-REV. A.3			Inspection item	CUSTOMER ALTW	APPROVED BY Jerry	DATE 2016-08-08

X-ON Electronics

Largest Supplier of Electrical and Electronic Components

Click to view similar products for [Sensor Cables / Actuator Cables](#) category:

Click to view products by [Amphenol](#) manufacturer:

Other Similar products are found below :

[60963](#) [60964](#) [703000D02F2002](#) [703001D02F0602](#) [703001D02F300](#) [704000D02F120](#) [773032K02F030](#) [802027107404-1](#) [802027213811-1](#)
[804001A09M150](#) [805001A09M0502](#) [84914-0235](#) [84914-0237](#) [885030A09M020](#) [8R4J30E03C3003](#) [1200651332](#) [1200651713](#) [1200660844](#)
[1200660845](#) [1200661173](#) [1200680071](#) [1200720053](#) [1200720081](#) [1200720099](#) [1200720217](#) [1200800231](#) [1200860125](#) [1200870123](#)
[1200980102](#) [1200650267](#) [1200650298](#) [1200660183](#) [1200660782](#) [1200660849](#) [1200661295](#) [1200661297](#) [1200661342](#) [1200661343](#)
[1200670080](#) [1200670220](#) [1200680331](#) [1200720252](#) [1200730184](#) [1200860344](#) [1200870359](#) [1200870643](#) [1200980008](#) [1200980031](#)
[1210502211](#) [1210400542](#)