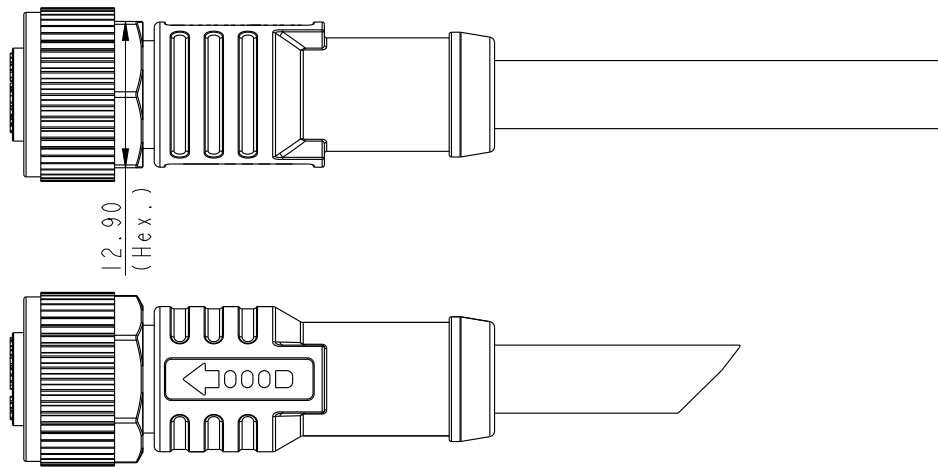
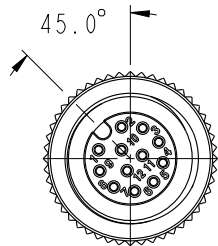
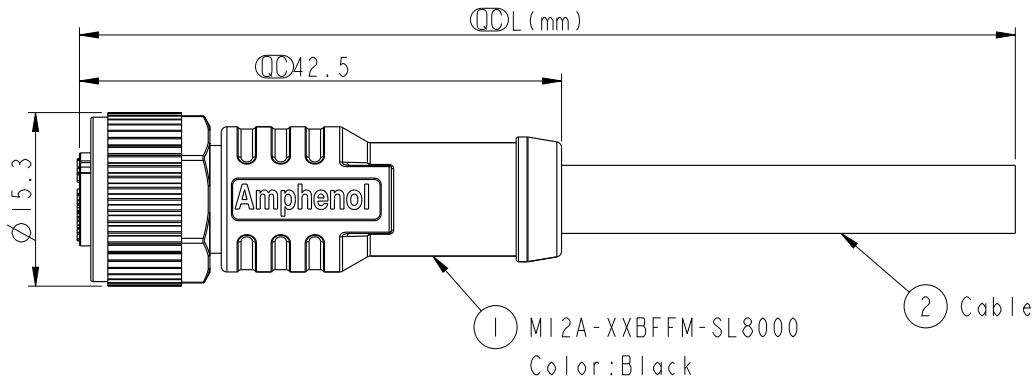


REV.	ECN NO.	DATE	SIGN	DESCRIPTION
C	LEN1680943~960 LEN1681003~011	2016/08/09	Yulong_wang	Add 6Pin & IP69K.
D	LEN1750089~96	2017/04/06	Lingpeng	Change The Cable OD
E	BOMR19100201	2019-10-29	Peng	Add 17Pin



- Notes: \triangle \triangle
- * ⌀ Important Dimension.
 - * Waterproof Rate: IP68, IP69K.
 - * Connector:
 - 3~6P, 8P, 10P, 12P: PU+GF, Black.
 - 17P: Nylon+GF, Black.
 - * Female Pin: Copper Alloy, Gold Plated.
 - * Screw Nut: Zinc Alloy, Nickel Plated.
 - * Outer Mold: PU, Black.
 - * Cable: (A) UL2517, PVC Jacket, Yellow.
(B) UL20549, PUR Jacket, Black.
(D) UL2517, PVC Jacket, Black.
 - * Rated Voltage: 3 & 4Pin 250V dc. or ac.
5Pin 60V dc. or ac.
6~12Pin, 17Pin 30V dc. or ac.
 - * Rated Current: 3~5Pin 4A
6~8Pin 2A
10~12Pin, 17Pin 1.5A
 - * Operating Temperature: -25~85°C
 - * Cable Length Tolerance: 01M: ±40mm
02M~05M: ±60mm
06M~10M: ±100mm
11M~30M: ±200mm
31M~99M: ±500mm

UNIT: mm		
TOLERANCE		
±0.5mm		

TITLE MI2 A Type Cable Female Conn.		
SCALE 3:2	SIZE A4	SHEET 1 OF 3
REV. E	WC-REV. A.3	⌀ : Inspection item

Amphenol LTW
安費諾亮泰企業股份有限公司

ITEM NO.	DRAWN BY Lingpeng	DATE 2017-04-06
DWG NO. MI2A-XXBFFM-SL8XXX	CHECKED BY Ma Fei	DATE 2017-04-06
CUSTOMER ALTW	APPROVED BY Jerry	DATE 2017-04-06

THIS DOCUMENT IS SUBJECT TO CHANGE WITHOUT NOTICE. IT IS CONFIDENTIAL AND A PROPERTY OF Amphenol LTW. DISCLOSURE TO THIRD PARTY HAS TO BE AUTHORIZED BY Amphenol LTW.

THIS DOCUMENT IS SUBJECT TO CHANGE WITHOUT NOTICE. IT IS CONFIDENTIAL AND A PROPERTY OF AMPHENOL LTW. DISCLOSURE TO THIRD PARTY HAS TO BE AUTHORIZED BY AMPHENOL LTW.

1 2 3 4 5 6 7 8

E	17P	PVC	7.0	26	M12A-17BFFM-SL8DXX	
	12P		6.0		M12A-12BFFM-SL8DXX	
	10P				M12A-10BFFM-SL8DXX	
C	8P		5.5	24	M12A-08BFFM-SL8DXX	
	6P		5.0		M12A-06BFFM-SL8DXX	
	5P		5.1		M12A-05BFFM-SL8DXX	
	4P		4.8		M12A-04BFFM-SL8DXX	
	3P		4.5	22	M12A-03BFFM-SL8DXX	
E	17P		PUR	7.0	26	M12A-17BFFM-SL8BXX
	12P			6.0		M12A-12BFFM-SL8BXX
	10P			M12A-10BFFM-SL8BXX		
D	8P	4.8		24	M12A-08BFFM-SL8BXX	
	6P	5.0			M12A-06BFFM-SL8BXX	
	5P	4.4			M12A-05BFFM-SL8BXX	
	4P	4.0			M12A-04BFFM-SL8BXX	
	3P	3.8		22	M12A-03BFFM-SL8BXX	
	17P	PVC		7.0	26	M12A-17BFFM-SL8AXX
	12P			6.0		M12A-12BFFM-SL8AXX
	10P			M12A-10BFFM-SL8AXX		
	8P		5.5	24	M12A-08BFFM-SL8AXX	
	6P		5.0		M12A-06BFFM-SL8AXX	
	5P		5.1		M12A-05BFFM-SL8AXX	
	4P		4.8		22	M12A-04BFFM-SL8AXX
	3P		4.5		M12A-03BFFM-SL8AXX	

Contacts	Cable Jacket	Cable OD	AWG	Item No.
----------	--------------	----------	-----	----------

M 12A - XX B F F M - S L 8 X XX

- 12A: A-Code
- 03: 3Pin
- 04: 4Pin
- 05: 5Pin
- 06: 6Pin
- 08: 8Pin
- 10: 10Pin
- 12: 12Pin
- 17: 17Pin
- B: Cable Without S/R(線端無網尾)
- F: Female Connector(母座)
- F: Female Pin(母Pin)
- XX: 01~99Meters
01: 01Meter
02: 02Meters
:
99: 99Meters
- A: PVC UL2517 Cable, Yellow(PVC黃色外被線材)
- B: PUR UL20549 Cable, Black(PUR黑色外被線材)
- D: PVC UL2517 Cable, Black(PVC黑色外被線材)
- 8: IP68/69K(防水等級68/69K)
- L: Straight(180°線端)
- S: Screw(螺紋式)
- M: Molding Type(射出成型)

UNIT:mm		TITLE M12 A Type Cable Female Conn.	
TOLERANCE ±0.5mm		SCALE 3:2	SIZE A4
		REV. E	WC-REV. A.3
		SHEET 2 OF 3 QC: Inspection item	

Amphenol LTW
安費諾亮泰企業股份有限公司

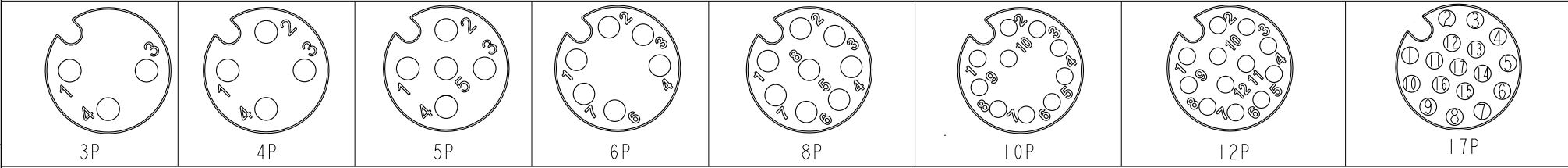
ITEM NO	DRAWN BY Lingpeng	DATE 2017-04-06
DWG NO M12A-XXBFFM-SL8XXX	CHECKED BY Ma Fei	DATE 2017-04-06
CUSTOMER ALTW	APPROVED BY Jerry	DATE 2017-04-06

1 2 3 4 5 6 7 8 W10814-03-01A2



5	--		5	--		5	Gray	灰	8	--	8	Red	紅	12	--	12	Red/Blue	紅/藍	17	White/Gray	白/灰
4	Black	黑	4	Black	黑	4	Black	黑	7	Blue	藍	Blue	藍	11	--	11	Gray/Pink	灰/粉	16	Yellow/Brown	黃/棕
3	Blue	藍	3	Blue	藍	3	Blue	藍	6	Pink	粉	Pink	粉	10	Violet	紫	Violet	紫	15	White/Yellow	白/黃
2	--		2	White	白	2	White	白	5	--	5	Gray	灰	9	Black	黑	Black	黑	14	Brown/Green	棕/綠
1	Brown	棕	1	Brown	棕	1	Brown	棕	4	Yellow	黃	Yellow	黃	8	Red	紅	Red	紅	13	White/Green	白/綠
									3	Green	綠	Green	綠	7	Blue	藍	Blue	藍	12	Red/Blue	紅/藍
									2	Brown	棕	Brown	棕	6	Pink	粉	Pink	粉	11	Gray/Pink	灰/粉
									1	White	白	White	白	5	Gray	灰	Gray	灰	10	Violet	紫
														4	Yellow	黃	Yellow	黃	9	Red	紅
														3	Green	綠	Green	綠	8	Gray	灰
														2	Brown	棕	Brown	棕	7	Black	黑
														1	White	白	White	白	6	Yellow	黃
																			5	Pink	粉
																			4	Green	綠
																			3	White	白
																			2	Blue	藍
																			1	Brown	棕

Pin Out



Pin Assignments: Front View

UNIT:mm TOLERANCE ±0.5mm		TITLE M12 A Type Cable Female Conn.			Amphenol LTW 安費諾亮泰企業股份有限公司	ITEM NO M12A-XXBFFM-SL8XXX	DRAWN BY Lingpeng	DATE 2017-04-06
		SCALE 3:2	SIZE A4	SHEET 3 OF 3		CHECKED BY Ma Fei	DATE 2017-04-06	
		REV. E	WC-REV. A.2	Inspection item		APPROVED BY Jerry	DATE 2017-04-06	

X-ON Electronics

Largest Supplier of Electrical and Electronic Components

Click to view similar products for [Sensor Cables / Actuator Cables](#) category:

Click to view products by [Amphenol](#) manufacturer:

Other Similar products are found below :

[60963](#) [60964](#) [703000D02F2002](#) [703001D02F0602](#) [703001D02F300](#) [704000D02F120](#) [773032K02F030](#) [802027107404-1](#) [802027213811-1](#)
[804001A09M150](#) [805001A09M0502](#) [84914-0235](#) [84914-0237](#) [885030A09M020](#) [8R4J30E03C3003](#) [1200651332](#) [1200651713](#) [1200660844](#)
[1200660845](#) [1200661173](#) [1200680071](#) [1200720053](#) [1200720081](#) [1200720099](#) [1200720217](#) [1200800231](#) [1200860125](#) [1200870123](#)
[1200980102](#) [1200650267](#) [1200650298](#) [1200660183](#) [1200660782](#) [1200660849](#) [1200661295](#) [1200661297](#) [1200661342](#) [1200661343](#)
[1200670080](#) [1200670220](#) [1200680331](#) [1200720252](#) [1200730184](#) [1200860344](#) [1200870359](#) [1200870643](#) [1200980008](#) [1200980031](#)
[1210502211](#) [1210400542](#)