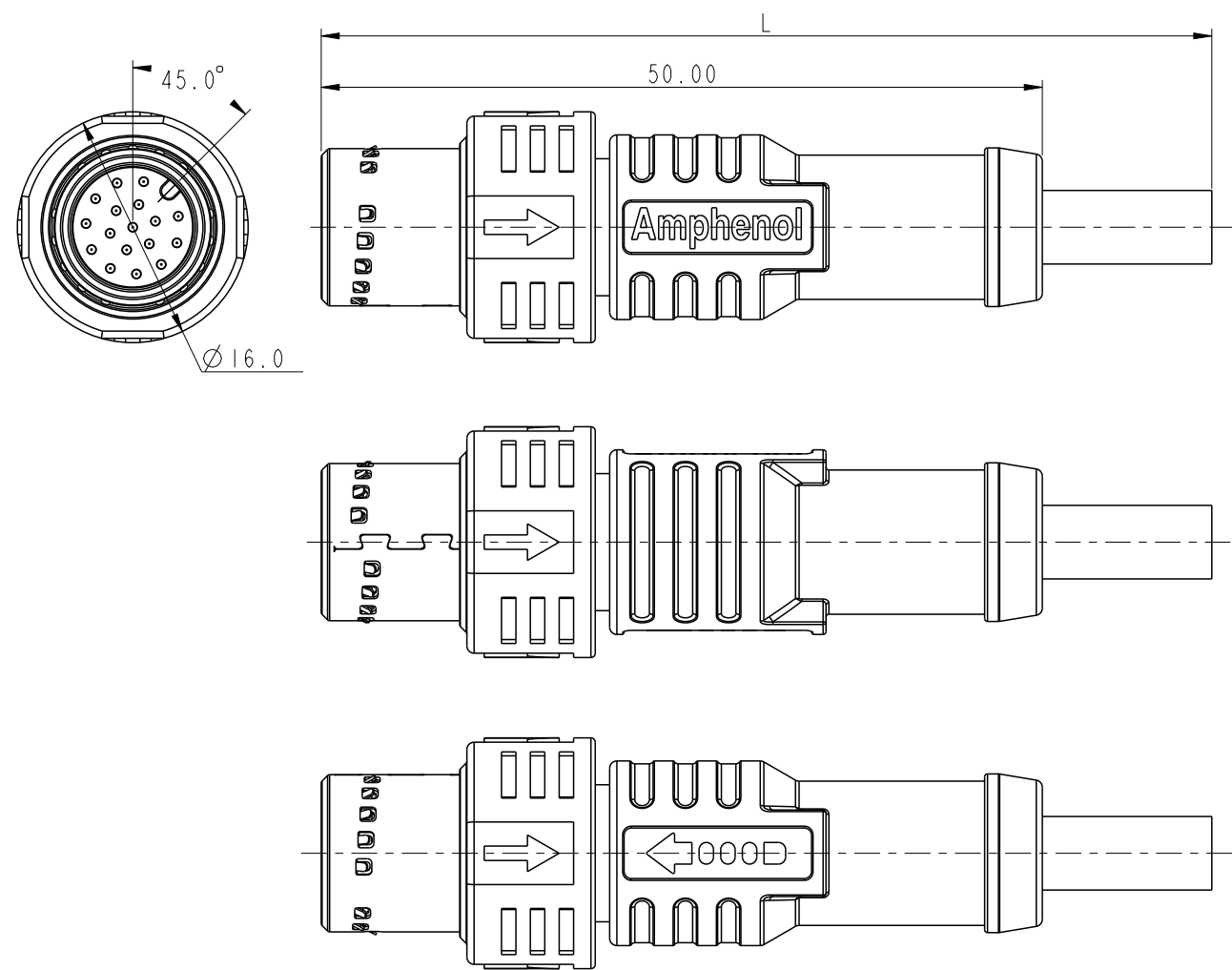


THIS DOCUMENT IS SUBJECT TO CHANGE WITHOUT NOTICE. IT IS CONFIDENTIAL AND A PROPERTY OF Amphenol LTW. DISCLOSURE TO THIRD PARTY HAS TO BE AUTHORIZED BY Amphenol LTW.

REV.	ECN NO.	DATE	SIGN	DESCRIPTION
A		2020-08-26	Sam Ho	New Release

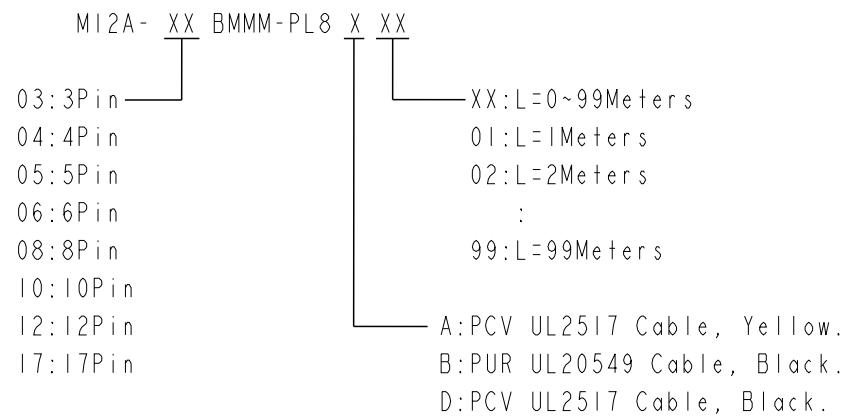


Notes:
 Material Specification:
 * Housing: Thermoplastic, UL94V-0, Black.
 * Male Pin: Copper Alloy, Gold Plated.
 * Shell & Latch & Spring: Metal.
 * Outer Mold: Thermoplastic, Black.
 Electrical Specification:
 * Contact Resistance: 10mΩ (Max.)
 * Insulation Resistance: 100MΩ (Min.)
 * Voltage Proof: 2~4 Pin 1.5KV
 5 Pin 1.0KV
 6~8 Pin 0.65KV
 9~17 Pin 0.65KV
 * Rated Voltage: 2~4 Pin 250V D.C. or A.C.
 5 Pin 60V D.C. or A.C.
 6~17 Pin 30V D.C. or A.C.
 * Rated Current: 2~5 Pin 4.0A
 6~8 Pin 2.0A
 9~17 Pin 1.5A
 Mechanical Specification:
 * Durability: 500 Cycles.
 Environmental Specification:
 * Waterproof Rate: IP68.
 * Temperature Range:
 -20~+80°C For PVC Cable
 -20~+85°C For PU Cable

UNIT: mm TOLERANCE ±0.50mm	TITLE M12 A Code Push Pull Type Cable		Amphenol LTW 安費諾亮泰企業股份有限公司		ITEM NO. M12A-XXBMMM-PL8XXX	DRAWN BY Sam Ho	DATE 2020-08-26
	SCALE 2:1	SIZE A4			SHEET 1 OF 3	DWG NO. M12A-XXBMMM-PL8XXX	CHECKED BY Fred Lee
	REV. A	WC-REV.	QC: Inspection item	CUSTOMER ALTW	APPROVED BY Fred Lee	DATE 2020-08-26	

THIS DOCUMENT IS SUBJECT TO CHANGE WITHOUT NOTICE. IT IS CONFIDENTIAL AND A PROPERTY OF Amphenol LTW. DISCLOSURE TO THIRD PARTY HAS TO BE AUTHORIZED BY Amphenol LTW.

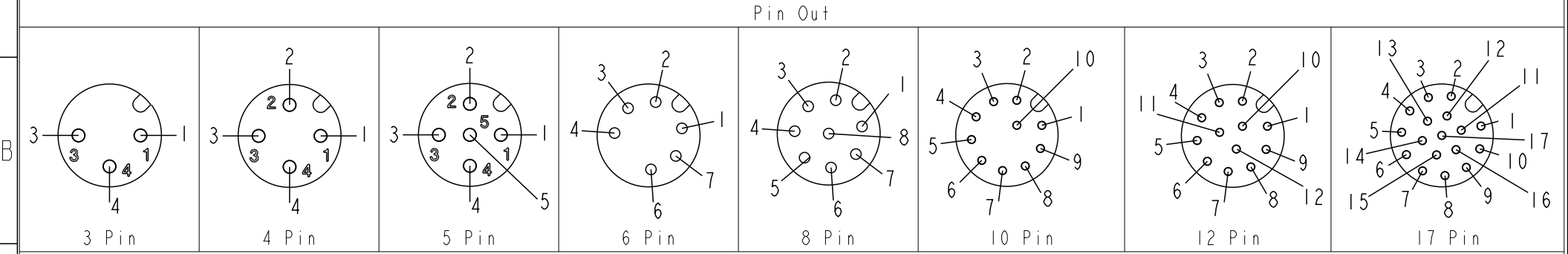
	1	2	3	4	5	6	7	8								
F					17P	PVC	7.0	26	M12A-17BMMM-PL8DXX							
					12P		6.0		M12A-12BMMM-PL8DXX							
					10P				M12A-10BMMM-PL8DXX							
					8P		5.5	24	M12A-08BMMM-PL8DXX							
					6P		5.0		M12A-06BMMM-PL8DXX							
					5P		5.1	22	M12A-05BMMM-PL8DXX							
					4P		4.8		M12A-04BMMM-PL8DXX							
					3P		4.1		M12A-03BMMM-PL8DXX							
					17P		7.0		26	M12A-17BMMM-PL8BXX						
					12P		6.0	M12A-12BMMM-PL8BXX								
					10P			M12A-10BMMM-PL8BXX								
					E						PUR	8P	5.5	24	M12A-08BMMM-PL8BXX	
												6P	5.0		M12A-06BMMM-PL8BXX	
												5P	5.1	22	M12A-05BMMM-PL8BXX	
												4P	4.8		M12A-04BMMM-PL8BXX	
												3P	4.1		M12A-03BMMM-PL8BXX	
												17P	7.0		26	M12A-17BMMM-PL8AXX
12P	6.0	M12A-12BMMM-PL8AXX														
10P		M12A-10BMMM-PL8AXX														
D						PVC						8P	5.5	24	M12A-08BMMM-PL8AXX	
												6P	5.0		M12A-06BMMM-PL8AXX	
												5P	5.1	22	M12A-05BMMM-PL8AXX	
												4P	4.8		M12A-04BMMM-PL8AXX	
												3P	4.1		M12A-03BMMM-PL8AXX	
												Contacts	Cable Jacket		Cable OD	AWG



A	UNIT: mm			TITLE M12 A Code Push Pull Type Cable			Amphenol LTW		ITEM NO M12A-XXBMMM-PL8XXX	DRAWN BY Sam Ho	DATE 2020-08-26
	TOLERANCE ±0.50mm	SCALE 2:1	SIZE A4	SHEET 2	OF 3	安費諾亮泰企業股份有限公司		DWG NO M12A-XXBMMM-PL8XXX	CHECKED BY Fred Lee	DATE 2020-08-26	
	REV. A	WC-REV.	QC: Inspection item					CUSTOMER ALTW	APPROVED BY Fred Lee	DATE 2020-08-26	
	8 W10814-03-001A2										

THIS DOCUMENT IS SUBJECT TO CHANGE WITHOUT NOTICE. IT IS CONFIDENTIAL AND A PROPERTY OF Amphenol LTW. DISCLOSURE TO THIRD PARTY HAS TO BE AUTHORIZED BY Amphenol LTW.

Pin #	Wire	Pin #	Wire	Pin #	Wire	Pin #	Wire	Pin #	Wire	Pin #	Wire	Pin #	Wire
5 - -	4 Black	5 - -	4 Black	5 Gray	4 Black	8 - -	7 Blue	8 Red	7 Blue	12 - -	11 - -	10 Violet	9 Black
4 Black	3 Blue	4 Black	3 Blue	4 Black	4 Yellow	7 Blue	6 Pink	7 Blue	6 Pink	11 - -	10 Violet	9 Black	8 Red
3 Blue	2 - -	3 Blue	2 White	3 Blue	3 Green	6 Pink	5 - -	6 Pink	5 Gray	10 Violet	9 Black	8 Red	7 Blue
2 - -	1 Brown	2 White	1 Brown	2 White	2 Brown	5 Gray	1 White	4 Yellow	4 Yellow	9 Black	8 Red	7 Blue	6 Pink
1 Brown		1 Brown		1 Brown	1 White	4 Yellow		3 Green	3 Green	7 Blue	6 Pink	5 Gray	4 Yellow
						3 Green		2 Brown	2 Brown	6 Pink	5 Gray	4 Yellow	3 Green
						2 Brown		1 White	1 White	4 Yellow	3 Green	2 Brown	1 White
						1 White				3 Green	2 Brown	1 White	
										2 Brown	1 White		
										1 White			



Pin Assignments Front View

UNIT:mm TOLERANCE $\pm 0.50\text{mm}$		TITLE M12 A Code Push Pull Type Cable	Amphenol LTW 安費諾亮泰企業股份有限公司	ITEM NO M12A-XXBMMM-PL8XXX	DRAWN BY Sam Ho	DATE 2020-08-26
		SCALE 2:1		SIZE A4	SHEET 3 OF 3	DWG NO M12A-XXBMMM-PL8XXX
		REV. A	WC-REV.	CUSTOMER ALTW	APPROVED BY Fred Lee	DATE 2020-08-26

WI0814-03-01A2

X-ON Electronics

Largest Supplier of Electrical and Electronic Components

Click to view similar products for [Sensor Cables / Actuator Cables](#) category:

Click to view products by [Amphenol](#) manufacturer:

Other Similar products are found below :

[60963](#) [60964](#) [703000D02F2002](#) [703000D02F300](#) [703001D02F0602](#) [703001D02F1201](#) [703001D02F300](#) [704000D02F120](#) [MDM21SH001F](#)
[773032K02F030](#) [802027107404-1](#) [802027213811-1](#) [804001A09M150](#) [805001A09M0502](#) [84914-0235](#) [84914-0237](#) [885030A09M010](#)
[885030A09M020](#) [8R4006A18M010](#) [1200651332](#) [1200651713](#) [1200660844](#) [1200660845](#) [1200661173](#) [1200680071](#) [1200720053](#)
[1200720081](#) [1200720099](#) [1200720217](#) [1200800231](#) [1200860125](#) [1200870123](#) [1200980102](#) [1200650298](#) [1200660183](#) [1200660782](#)
[1200660849](#) [1200661295](#) [1200661297](#) [1200661342](#) [1200661343](#) [1200670220](#) [1200680331](#) [1200720252](#) [1200720255](#) [1200720597](#)
[1200730184](#) [1200860344](#) [1200870359](#) [1200870643](#)