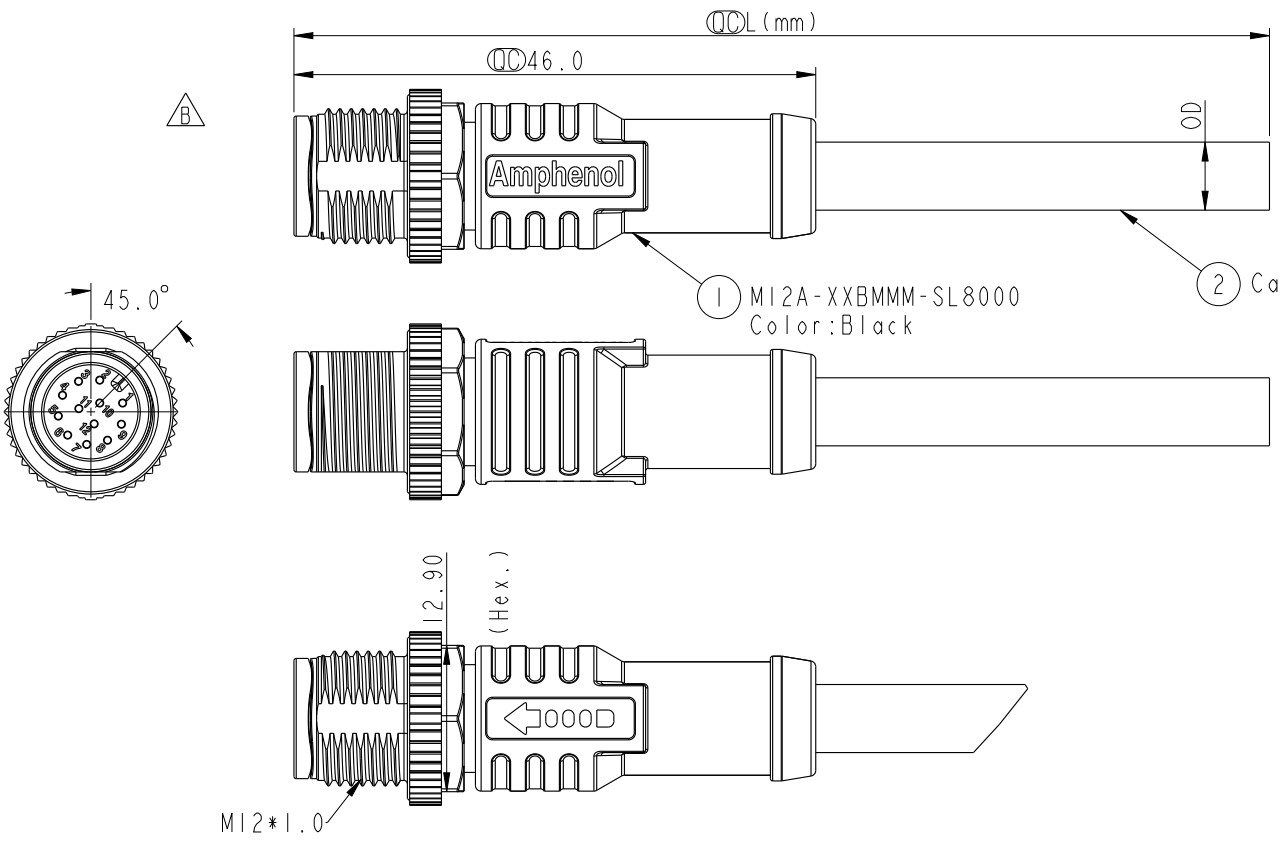


THIS DOCUMENT IS SUBJECT TO CHANGE WITHOUT NOTICE. IT IS CONFIDENTIAL AND A PROPERTY OF Amphenol LTW. DISCLOSURE TO THIRD PARTY HAS TO BE AUTHORIZED BY Amphenol LTW.

REV.	ECN NO.	DATE	SIGN	DESCRIPTION
C	LEN1680979-996 LEN1681012-015	2016/08/13	Yulong_wang	Add 6Pin & IP69K.
D	LEN1750103-09	2017/04/06	Lingpeng	Change The Cable OD
E	BOMR19100201	2019-10-29	Lingpeng	Add 17P



Notes:

- * Important Dimension.
- * Waterproof Rate: IP68., IP69K.
- * Connector:
 - 3~6P, 8P, 10P, 12P: PU+GF, Black.
 - 17P: Nylon+GF, Black.
- * Male Pin: Copper Alloy, Gold Plated.
- * Screw Nut: Zinc Alloy, Nickel Plated.
- * Outer Mold: PU, Black.
- * Cable: (A) UL2517, PVC Jacket, Yellow.
(B) UL20549, PUR Jacket, Black.
(D) UL2517, PVC Jacket, Black.
- * Rated Voltage: 3 & 4Pin 250V dc. or ac.
5Pin 60V dc. or ac.
6~12Pin, 17Pin 30V dc. or ac.
- * Rated Current: 3~5Pin 4A
6~8Pin 2A
10~12Pin, 17Pin 1.5A
- * Operating Temperature: -25~85°C
- * Cable Length Tolerance: 01M:±40mm
02M~05M:±60mm
06M~10M:±100mm
11M~30M:±200mm
31M~99M:±500mm

UNIT: mm		
TOLERANCE		
±0.5mm		

TITLE M12 A Type Cable Male Conn.			
SCALE 3:2	SIZE A4	SHEET 1 OF 3	
REV. E	WC-REV. A.3	Inspection item	

Amphenol LTW
安費諾亮泰企業股份有限公司

ITEM NO	DRAWN BY Lingpeng	DATE 2017-04-06
DWG NO M12A-XXBMMM-SL8XXX	CHECKED BY Ma Fei	DATE 2017-04-06
CUSTOMER ALTW	APPROVED BY Jerry	DATE 2017-04-06

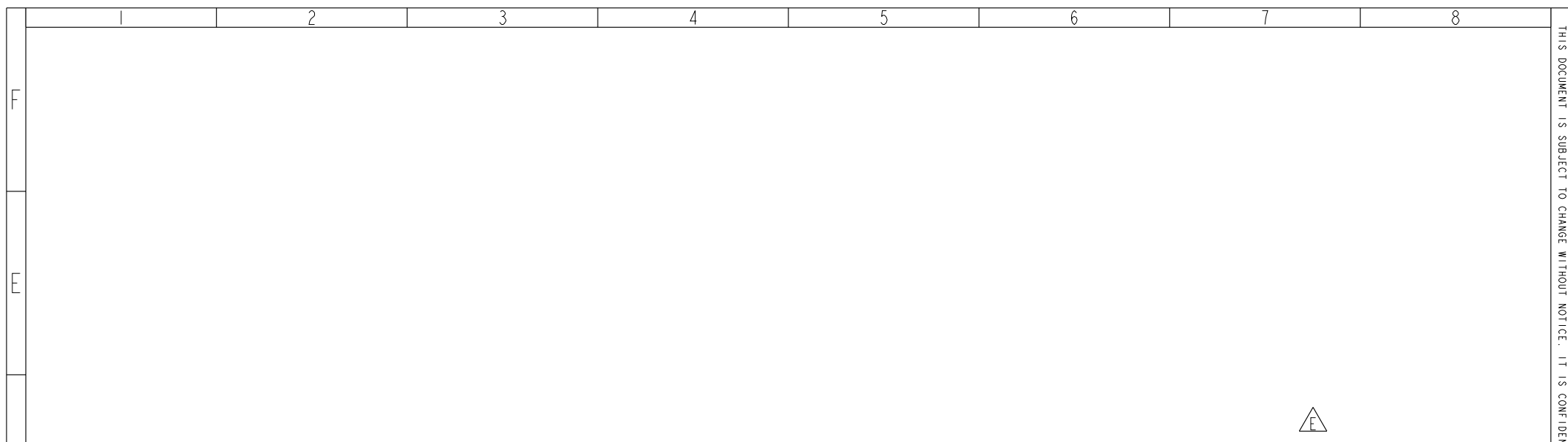
THIS DOCUMENT IS SUBJECT TO CHANGE WITHOUT NOTICE. IT IS CONFIDENTIAL AND A PROPERTY OF Amphenol LTW. DISCLOSURE TO THIRD PARTY HAS TO BE AUTHORIZED BY Amphenol LTW.

1 2 3 4 5 6 7 8

F	E	D	C	B	A	<p>M I2A - XX B M M M - S L 8 X XX</p> <p>12A: A-Code</p> <p>03: 3Pin</p> <p>04: 4Pin</p> <p>05: 5Pin</p> <p>06: 6Pin</p> <p>08: 8Pin</p> <p>10: 10Pin</p> <p>12: 12Pin </p> <p>17: 17Pin </p> <p>B: Cable Without S/R (線端無網尾)</p> <p>M: Male Connector (公座)</p> <p>M: Male Pin (公Pin)</p>	<p>XX: 01~99Meters</p> <p>01: 01Meter</p> <p>02: 02Meters</p> <p>...</p> <p>99: 99Meters</p> <p>A: PVC UL2517 Cable, Yellow (PVC黃色外被線材)</p> <p>B: PUR UL20549 Cable, Black (PUR黑色外被線材)</p> <p>D: PVC UL2517 Cable, Black (PVC黑色外被線材) </p> <p>8: IP68/69K (防水等級68/69K) </p> <p>L: Straight (180° 線端)</p> <p>S: Screw (螺紋式)</p> <p>M: Molding Type (射出成型)</p>	<table border="1"> <tr> <td rowspan="3"></td> <td>17P</td> <td rowspan="17">PVC</td> <td>7.0</td> <td rowspan="3">26</td> <td>M12A-17BMMM-SL8DXX</td> </tr> <tr> <td>12P</td> <td>6.0</td> <td>M12A-12BMMM-SL8DXX</td> </tr> <tr> <td>10P</td> <td></td> <td>M12A-10BMMM-SL8DXX</td> </tr> <tr> <td rowspan="3"></td> <td>8P</td> <td>5.5</td> <td rowspan="3">24</td> <td>M12A-08BMMM-SL8DXX</td> </tr> <tr> <td>6P</td> <td>5.0</td> <td>M12A-06BMMM-SL8DXX</td> </tr> <tr> <td>5P</td> <td>5.1</td> <td>M12A-05BMMM-SL8DXX</td> </tr> <tr> <td rowspan="3"></td> <td>4P</td> <td>4.8</td> <td rowspan="3">22</td> <td>M12A-04BMMM-SL8DXX</td> </tr> <tr> <td>3P</td> <td>4.1</td> <td>M12A-03BMMM-SL8DXX</td> </tr> <tr> <td>17P</td> <td>7.0</td> <td rowspan="3">26</td> <td>M12A-17BMMM-SL8BXX</td> </tr> <tr> <td></td> <td>12P</td> <td>6.0</td> <td>M12A-12BMMM-SL8BXX</td> </tr> <tr> <td></td> <td>10P</td> <td></td> <td>M12A-10BMMM-SL8BXX</td> </tr> <tr> <td rowspan="3"></td> <td>8P</td> <td>4.8</td> <td rowspan="3">24</td> <td>M12A-08BMMM-SL8BXX</td> </tr> <tr> <td>6P</td> <td>5.0</td> <td>M12A-06BMMM-SL8BXX</td> </tr> <tr> <td>5P</td> <td>4.4</td> <td>M12A-05BMMM-SL8BXX</td> </tr> <tr> <td rowspan="3"></td> <td>4P</td> <td>4.0</td> <td rowspan="3">22</td> <td>M12A-04BMMM-SL8BXX</td> </tr> <tr> <td>3P</td> <td>3.8</td> <td>M12A-03BMMM-SL8BXX</td> </tr> <tr> <td>17P</td> <td>7.0</td> <td rowspan="3">26</td> <td>M12A-17BMMM-SL8AXX</td> </tr> <tr> <td></td> <td>12P</td> <td>6.0</td> <td>M12A-12BMMM-SL8AXX</td> </tr> <tr> <td></td> <td>10P</td> <td></td> <td>M12A-10BMMM-SL8AXX</td> </tr> <tr> <td rowspan="3"></td> <td>8P</td> <td>5.5</td> <td rowspan="3">24</td> <td>M12A-08BMMM-SL8AXX</td> </tr> <tr> <td>6P</td> <td>5.0</td> <td>M12A-06BMMM-SL8AXX</td> </tr> <tr> <td>5P</td> <td>5.1</td> <td>M12A-05BMMM-SL8AXX</td> </tr> <tr> <td rowspan="3"></td> <td>4P</td> <td>4.8</td> <td rowspan="3">22</td> <td>M12A-04BMMM-SL8AXX</td> </tr> <tr> <td>3P</td> <td>4.5</td> <td>M12A-03BMMM-SL8AXX</td> </tr> <tr> <td>Contacts</td> <td>Cable Jacket</td> <td>Cable OD</td> <td>AWG</td> <td>Item No.</td> </tr> </table>		17P	PVC	7.0	26	M12A-17BMMM-SL8DXX	12P	6.0	M12A-12BMMM-SL8DXX	10P		M12A-10BMMM-SL8DXX		8P	5.5	24	M12A-08BMMM-SL8DXX	6P	5.0	M12A-06BMMM-SL8DXX	5P	5.1	M12A-05BMMM-SL8DXX		4P	4.8	22	M12A-04BMMM-SL8DXX	3P	4.1	M12A-03BMMM-SL8DXX	17P	7.0	26	M12A-17BMMM-SL8BXX		12P	6.0	M12A-12BMMM-SL8BXX		10P		M12A-10BMMM-SL8BXX		8P	4.8	24	M12A-08BMMM-SL8BXX	6P	5.0	M12A-06BMMM-SL8BXX	5P	4.4	M12A-05BMMM-SL8BXX		4P	4.0	22	M12A-04BMMM-SL8BXX	3P	3.8	M12A-03BMMM-SL8BXX	17P	7.0	26	M12A-17BMMM-SL8AXX		12P	6.0	M12A-12BMMM-SL8AXX		10P		M12A-10BMMM-SL8AXX		8P	5.5	24	M12A-08BMMM-SL8AXX	6P	5.0	M12A-06BMMM-SL8AXX	5P	5.1	M12A-05BMMM-SL8AXX		4P	4.8	22	M12A-04BMMM-SL8AXX	3P	4.5	M12A-03BMMM-SL8AXX	Contacts	Cable Jacket	Cable OD	AWG	Item No.
												17P		PVC	7.0	26	M12A-17BMMM-SL8DXX																																																																																									
												12P			6.0		M12A-12BMMM-SL8DXX																																																																																									
									10P				M12A-10BMMM-SL8DXX																																																																																													
										8P		5.5	24		M12A-08BMMM-SL8DXX																																																																																											
										6P		5.0			M12A-06BMMM-SL8DXX																																																																																											
										5P		5.1			M12A-05BMMM-SL8DXX																																																																																											
										4P		4.8	22		M12A-04BMMM-SL8DXX																																																																																											
										3P		4.1			M12A-03BMMM-SL8DXX																																																																																											
										17P		7.0			26	M12A-17BMMM-SL8BXX																																																																																										
										12P		6.0	M12A-12BMMM-SL8BXX																																																																																													
										10P			M12A-10BMMM-SL8BXX																																																																																													
										8P		4.8	24		M12A-08BMMM-SL8BXX																																																																																											
										6P		5.0			M12A-06BMMM-SL8BXX																																																																																											
										5P		4.4			M12A-05BMMM-SL8BXX																																																																																											
										4P		4.0	22		M12A-04BMMM-SL8BXX																																																																																											
										3P		3.8			M12A-03BMMM-SL8BXX																																																																																											
17P	7.0	26	M12A-17BMMM-SL8AXX																																																																																																							
	12P		6.0	M12A-12BMMM-SL8AXX																																																																																																						
	10P			M12A-10BMMM-SL8AXX																																																																																																						
	8P	5.5	24	M12A-08BMMM-SL8AXX																																																																																																						
	6P	5.0		M12A-06BMMM-SL8AXX																																																																																																						
	5P	5.1		M12A-05BMMM-SL8AXX																																																																																																						
	4P	4.8	22	M12A-04BMMM-SL8AXX																																																																																																						
	3P	4.5		M12A-03BMMM-SL8AXX																																																																																																						
	Contacts	Cable Jacket		Cable OD	AWG	Item No.																																																																																																				

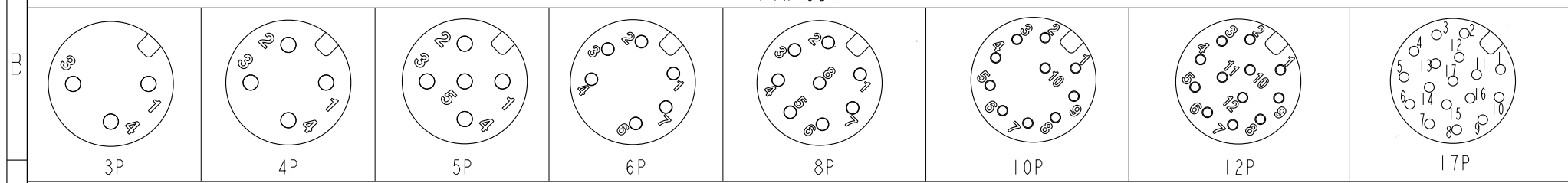
UNIT:mm		TITLE		ITEM NO		DRAWN BY		DATE		
		M12 A Type Cable Male Conn.		M12A-XXBMMM-SL8XXX		Lingpeng		2017-04-06		
		SCALE	SIZE	SHEET	OF	CHECKED BY	DATE			
3:2	A4	2	3	M12A-XXBMMM-SL8XXX	Ma Fei	2017-04-06				
TOLERANCE	REV.	WC-REV.	QC: Inspection item		CUSTOMER	APPROVED BY	DATE			
±0.5mm	E	A.3			ALTW	Jerry	2017-04-06			
								8 W10814-03-01A2		

Amphenol LTW
安費諾亮泰企業股份有限公司



5	--		5	--		5	Gray	灰	5	--		8	--		8	Red	紅	12	--		12	Red/Blue	紅/藍	17	White/Gray	白/灰
4	Black	黑	4	Black	黑	4	Black	黑	4	Yellow	黃	7	Blue	藍	7	Blue	藍	11	--		11	Gray/Pink	灰/粉	16	Yellow/Brown	黃/棕
3	Blue	藍	3	Blue	藍	3	Blue	藍	3	Green	綠	6	Pink	粉	6	Pink	粉	10	Violet	紫	10	Violet	紫	15	White/Yellow	白/黃
2	--		2	White	白	2	White	白	2	Brown	棕	5	Gray	灰	5	Gray	灰	9	Black	黑	9	Black	黑	14	Brown/Green	棕/綠
1	Brown	棕	1	Brown	棕	1	Brown	棕	1	White	白	4	Yellow	黃	4	Yellow	黃	8	Red	紅	8	Red	紅	13	White/Green	白/綠
Pin #	Wire		Pin #	Wire		Pin #	Wire		Pin #	Wire		Pin #	Wire		Pin #	Wire		Pin #	Wire		Pin #	Wire		Pin #	Wire	

Pin Out



Pin Assignments Front View

UNIT:mm TOLERANCE ±0.5mm		TITLE MI2 A Type Cable Male Conn.		Amphenol LTW 安費諾亮泰企業股份有限公司	ITEM NO	DRAWN BY Lingpeng	DATE 2017-04-06	
		SCALE 3:2	SIZE A4		SHEET 3 OF 3	DWG NO MI2A-XXBMMM-SL8XXX	CHECKED BY Ma Fei	DATE 2017-04-06
		REV. E	WC-REV. A.3		☉: Inspection item	CUSTOMER ALTW	APPROVED BY Jerry	DATE 2017-04-06

X-ON Electronics

Largest Supplier of Electrical and Electronic Components

Click to view similar products for [Sensor Cables / Actuator Cables](#) category:

Click to view products by [Amphenol](#) manufacturer:

Other Similar products are found below :

[60963](#) [60964](#) [M83513/19-F01CP](#) [703000D02F2002](#) [703001D02F0602](#) [703001D02F300](#) [704000D02F120](#) [773032K02F030](#) [802027107404-1](#)
[802027213811-1](#) [804001A09M150](#) [805001A09M0502](#) [84914-0235](#) [84914-0237](#) [885030A09M020](#) [8R4J30E03C3003](#) [1200651332](#)
[1200651713](#) [1200660844](#) [1200660845](#) [1200661173](#) [1200680071](#) [1200720053](#) [1200720081](#) [1200720099](#) [1200720217](#) [1200800231](#)
[1200860125](#) [1200870123](#) [1200980102](#) [1200650267](#) [1200650298](#) [1200660183](#) [1200660782](#) [1200660849](#) [1200661295](#) [1200661297](#)
[1200661342](#) [1200661343](#) [1200670080](#) [1200670220](#) [1200680331](#) [1200720252](#) [1200730184](#) [1200860344](#) [1200870359](#) [1200870643](#)
[1200980008](#) [1200980031](#) [1210502211](#)