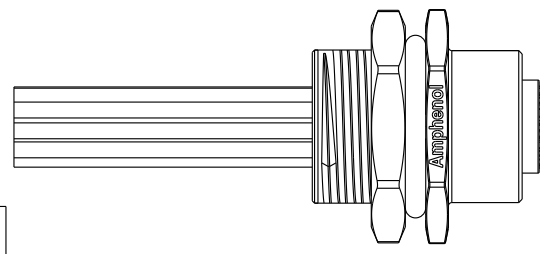
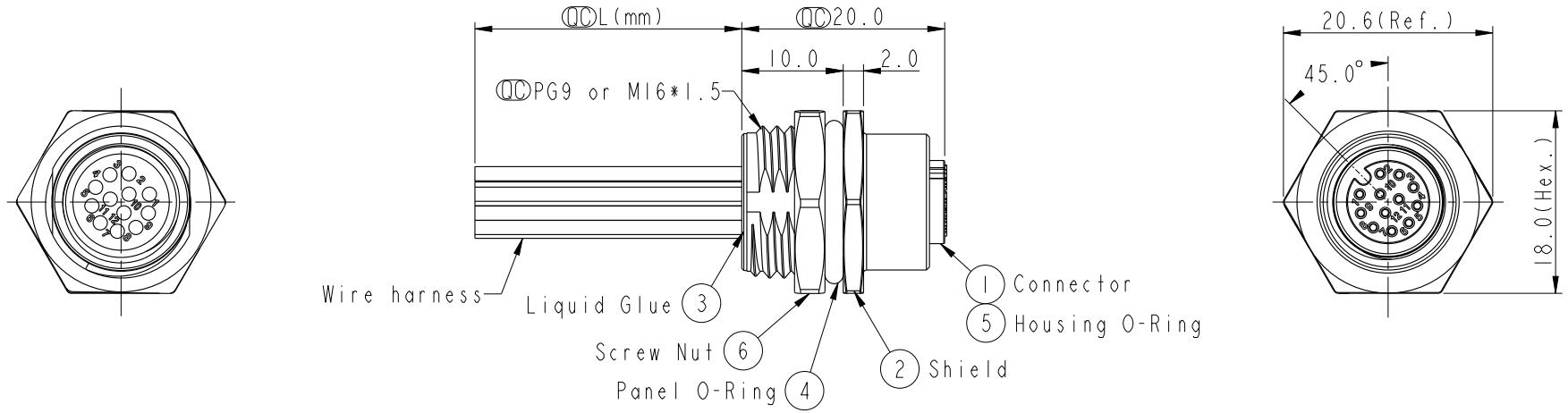
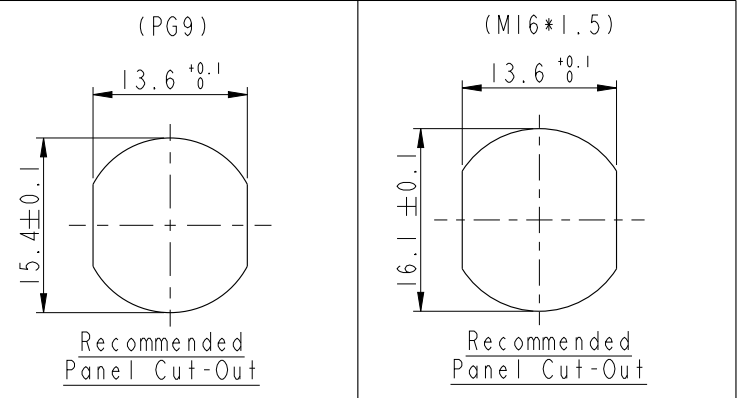


THIS DOCUMENT IS SUBJECT TO CHANGE WITHOUT NOTICE. IT IS CONFIDENTIAL AND A PROPERTY OF Amphenol LTW. DISCLOSURE TO THIRD PARTY HAS TO BE AUTHORIZED BY Amphenol LTW.

REV.	ECN NO.	DATE	SIGN	DESCRIPTION
C	LEN1680557-568	2016/08/08	Yulong_wang	Add 6Pin & IP69K.
D	E191630	2019/09/19	Ruru	Update Wire Tolarance
E	BOMR19100207	2019-10-30	Peng	Add 17Pin

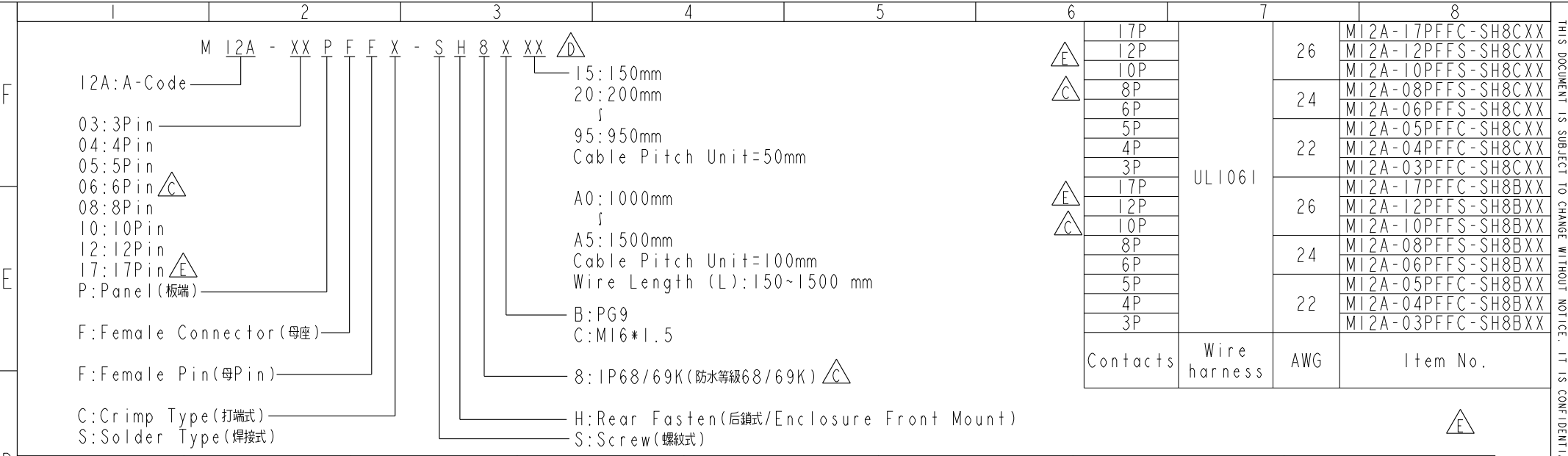


- Notes:
- * \varnothing Important Dimension.
 - * Waterproof Rate: IP68, IP69K.
 - * Connector: Nylon+GF, Black.
 - * Female Pin: Copper Alloy, Gold Plated.
 - * Shield: Zinc Alloy, Nickel Plated.
 - * Screw Nut: Zinc Alloy, Nickel Plated.
 - * Panel O-Ring: Viton, Black.
 - * Housing O-Ring: Viton, Green.
 - * Wire harness: ULI061
 - * Rated Voltage: 3 & 4Pin 250V dc. or ac.
5Pin 60V dc. or ac.
6~12Pin, 17Pin 30V dc. or ac.
 - * Rated Current: 3~5Pin 4A
6~8Pin 2A
10~12Pin, 17Pin 1.5A
 - * Operating Temperature: -25~85°C
 - * For Panel Thickness Max 4.5mm.
 - * Nut Torque: 4-6 Kgf.cm.
 - * Wire harness Tolerance: 150~300±15mm
301~1000±20mm
Over1000 ±50/-0mm



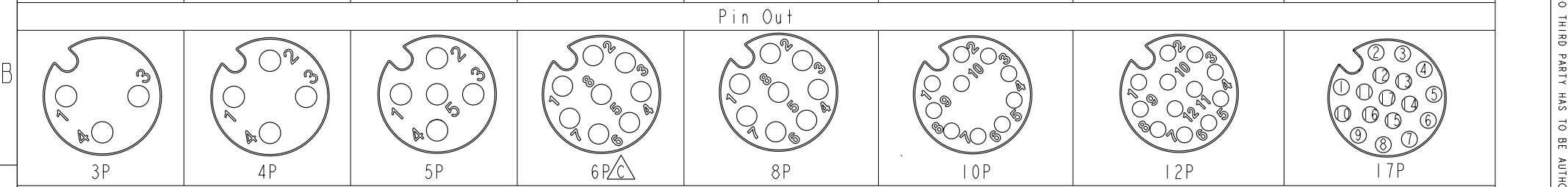
UNIT: mm		TITLE MI2 A-Code Female Conn. Panel Rear With Wire harness			<h1>Amphenol LTW</h1> 安費諾亮泰企業股份有限公司	ITEM NO	DRAWN BY	DATE
		TOLERANCE .X ±0.25 .XX ±0.1 .XXX ±0.05 ANGLES ±1°	SCALE 3:2	SIZE A4		SHEET 1 OF 2	DWG NO MI2A-XXPFFX-SH8XXX	CHECKED BY Rita
		REV. E	WC-REV. A.3	\varnothing : Inspection item	CUSTOMER ALTW	APPROVED BY Max	DATE 2019-09-19	

THIS DOCUMENT IS SUBJECT TO CHANGE WITHOUT NOTICE. IT IS CONFIDENTIAL AND A PROPERTY OF Amphenol LTW. DISCLOSURE TO THIRD PARTY HAS TO BE AUTHORIZED BY Amphenol LTW.



17P	UL1061	26	M12A-17PFFC-SH8CXX
12P			M12A-12PFFS-SH8CXX
10P			M12A-10PFFS-SH8CXX
8P		24	M12A-08PFFS-SH8CXX
6P			M12A-06PFFS-SH8CXX
5P			M12A-05PFFC-SH8CXX
4P		22	M12A-04PFFC-SH8CXX
3P			M12A-03PFFC-SH8CXX
17P			26
12P		M12A-12PFFS-SH8BXX	
10P		M12A-10PFFS-SH8BXX	
8P		24	M12A-08PFFS-SH8BXX
6P			M12A-06PFFS-SH8BXX
5P			22
4P		M12A-04PFFC-SH8BXX	
3P		M12A-03PFFC-SH8BXX	
Contacts		Wire harness	AWG

Pin #	Wire	Pin #	Wire	Pin #	Wire	Pin #	Wire	Pin #	Wire	Pin #	Wire	Pin #	Wire	Pin #	Wire	Pin #	Wire			
5	--	5	--	5	Gray	灰	5	--	5	Gray	灰	5	--	5	Gray	灰	5	White	白	
4	Black	4	Black	4	Black	黑	4	Blue	4	Blue	藍	4	Yellow	4	Yellow	4	Yellow	4	Brown	棕
3	Blue	3	Blue	3	Blue	藍	3	Green	3	Green	綠	3	Green	3	Green	3	Green	3	White	白
2	--	2	White	2	White	白	2	Brown	2	Brown	棕	2	Brown	2	Brown	2	Brown	2	White	白
1	Brown	1	Brown	1	Brown	棕	1	White	1	White	白	1	White	1	White	1	White	1	White	白



Pin Assignments Front View

UNIT: mm TOLERANCE .X ±0.25 .XX ±0.1 .XXX ±0.05 ANGLES ±1°	TITLE M12 A-Code Female Conn. Panel Rear With Wire harness		<h1 style="text-align: center;">Amphenol LTW</h1> <h2 style="text-align: center;">安費諾亮泰企業股份有限公司</h2>		ITEM NO M12A-XXPFFX-SH8XXX	DRAWN BY Ruru	DATE 2019-09-19
	SCALE 3:2	SIZE A4			SHEET 2 OF 2	DWG NO M12A-XXPFFX-SH8XXX	CHECKED BY Rita
	REV. E	WC-REV. A.3	QC : Inspection item	CUSTOMER ALTW	APPROVED BY Max	DATE 2019-09-19	

X-ON Electronics

Largest Supplier of Electrical and Electronic Components

Click to view similar products for [Sensor Cables / Actuator Cables](#) category:

Click to view products by [Amphenol](#) manufacturer:

Other Similar products are found below :

[60963](#) [60964](#) [M83513/19-F01CP](#) [703000D02F2002](#) [703001D02F0602](#) [703001D02F300](#) [704000D02F120](#) [773032K02F030](#) [802027107404-1](#)
[802027213811-1](#) [804001A09M150](#) [805001A09M0502](#) [84914-0235](#) [84914-0237](#) [885030A09M020](#) [8R4J30E03C3003](#) [1200651332](#)
[1200651713](#) [1200660844](#) [1200660845](#) [1200661173](#) [1200680071](#) [1200720053](#) [1200720081](#) [1200720099](#) [1200720217](#) [1200800231](#)
[1200860125](#) [1200870123](#) [1200980102](#) [1200650267](#) [1200650298](#) [1200660183](#) [1200660782](#) [1200660849](#) [1200661295](#) [1200661297](#)
[1200661342](#) [1200661343](#) [1200670080](#) [1200670220](#) [1200680331](#) [1200720252](#) [1200730184](#) [1200860344](#) [1200870359](#) [1200870643](#)
[1200980008](#) [1200980031](#) [1210502211](#)