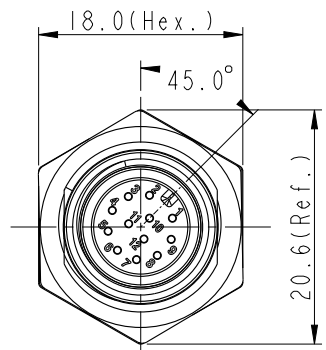
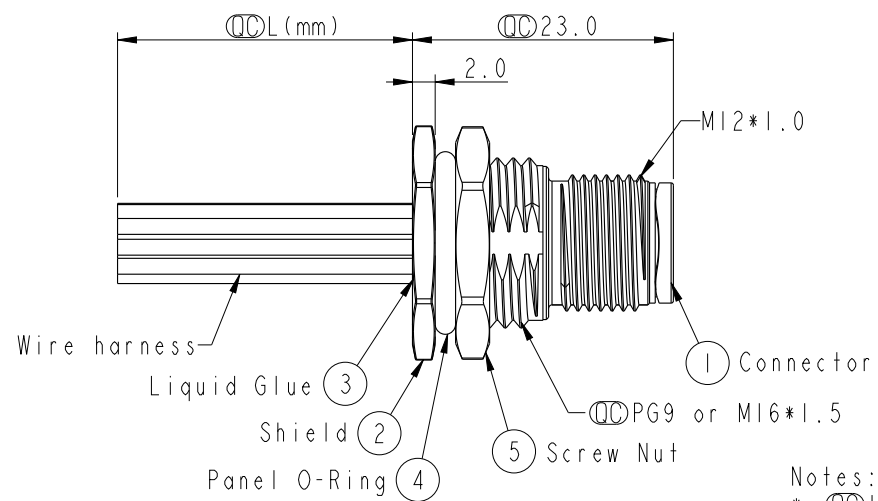
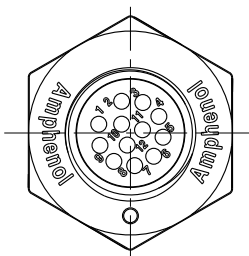
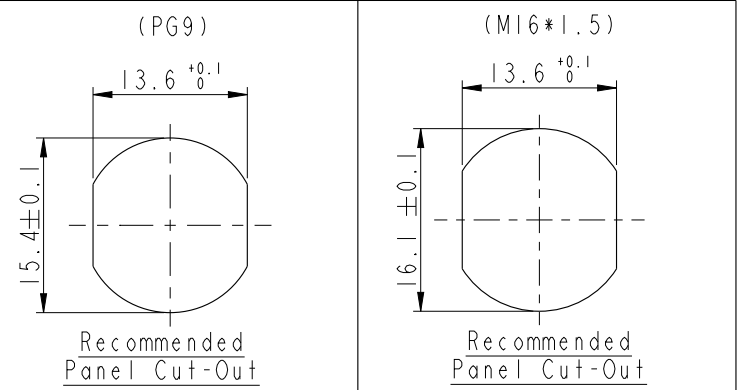


THIS DOCUMENT IS SUBJECT TO CHANGE WITHOUT NOTICE. IT IS CONFIDENTIAL AND A PROPERTY OF Amphenol LTW. DISCLOSURE TO THIRD PARTY HAS TO BE AUTHORIZED BY Amphenol LTW.

REV.	ECN NO.	DATE	SIGN	DESCRIPTION
C	LEN1680569-580 LEN1680598-603	2016/08/08	Yulong_wang	Add 6Pin & IP69K.
D	E191630	2019/09/19	Ruru	Update Wire Tolarance
E	BOMR19100207	2019/10/30	Peng	Add 17Pin



- Notes:
- \* (D) Important Dimension.
  - (C) \* Waterproof Rate: IP68, IP69K.
  - (E) \* Connector: Nylon+GF, Black.
  - \* Male Pin: Copper Alloy, Gold Plated.
  - \* Shield: Zinc Alloy, Nickel Plated.
  - \* Screw Nut: Zinc Alloy, Nickel Plated.
  - \* Panel O-Ring: Viton, Black.
  - \* Wire harness: UL1061
  - \* Rated Voltage: 3 & 4Pin 250V dc. or ac.  
5Pin 60V dc. or ac.  
6~12Pin, 17Pin, 30V dc. or ac.
  - \* Rated Current: 3~5Pin 4A  
6~8Pin 2A  
10~12Pin, 17Pin, 1.5A
  - \* Operating Temperature: -25~85°C
  - \* For Panel Thickness Max 4.5mm.
  - \* Nut Torque: 4-6 Kgf.cm.
  - (D) \* Wire harness Tolerance: 150~300±15mm  
301~1000±20mm  
Over 1000 ±50/-0mm



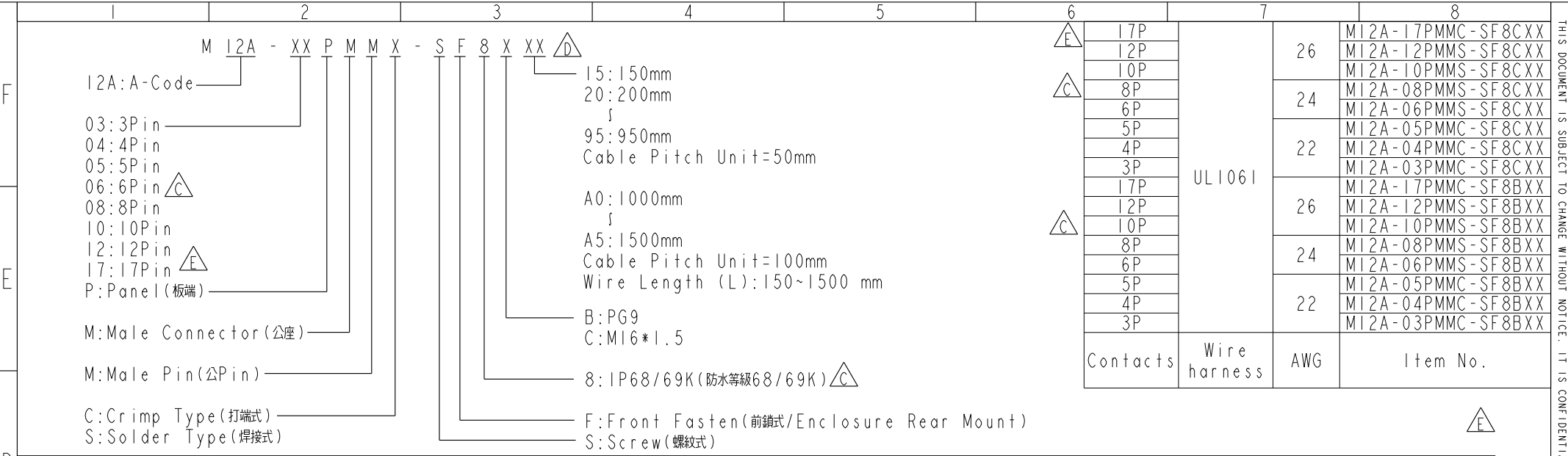
UNIT: mm

TOLERANCE	
.X	±0.25
.XX	±0.1
.XXX	±0.05
ANGLES	±1°

TITLE M12 A-Code Male Conn. Panel Front With Wire harness			
SCALE 3:2	SIZE A4	SHEET 1 OF 2	
REV. E	WC-REV. A.3	(C) Inspection item	

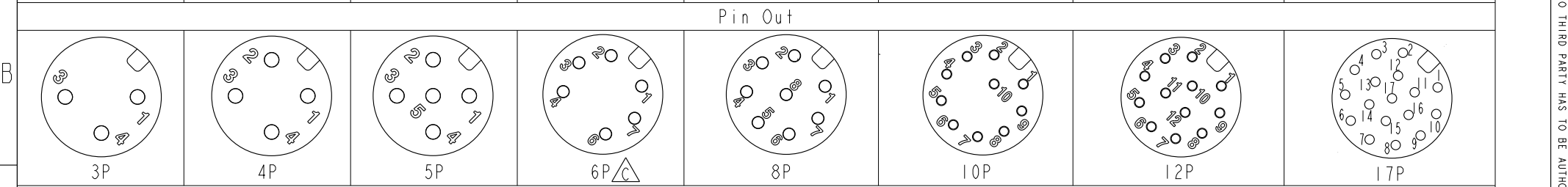
**Amphenol LTW**  
安費諾亮泰企業股份有限公司

ITEM NO.	DWG NO.	CUSTOMER	DRAWN BY	CHECKED BY	APPROVED BY	DATE
	M12A-XXPMMX-SF8XXX	ALTW	Ruru	Rita	Max	2019-09-19



$\triangle E$	17P	UL1061	26	M12A-17PMMC-SF8CXX	
	12P			M12A-12PMMS-SF8CXX	
	10P			M12A-10PMMS-SF8CXX	
	$\triangle C$		8P	24	M12A-08PMMS-SF8CXX
			6P		M12A-06PMMS-SF8CXX
	$\triangle C$		5P	22	M12A-05PMMC-SF8CXX
			4P		M12A-04PMMC-SF8CXX
			3P	M12A-03PMMC-SF8CXX	
			17P	26	M12A-17PMMC-SF8BXX
			12P		M12A-12PMMS-SF8BXX
	$\triangle C$		10P	24	M12A-10PMMS-SF8BXX
			8P		M12A-08PMMS-SF8BXX
			6P	M12A-06PMMS-SF8BXX	
	$\triangle C$		5P	22	M12A-05PMMC-SF8BXX
			4P		M12A-04PMMC-SF8BXX
			3P	M12A-03PMMC-SF8BXX	
	Contacts		Wire harness	AWG	Item No.

5	--	5	--	5	Gray	灰	5	--	5	Red	紅	5	Gray	灰	5	Red	紅	17	White/Gray	白/灰	
4	Black	4	Black	4	Black	黑	4	Blue	4	Blue	藍	4	Yellow	4	Yellow	黃	4	Yellow	4	Yellow/Brown	黃/棕
3	Blue	3	Blue	3	Blue	藍	3	Pink	3	Pink	粉	3	Green	3	Green	綠	3	Green	3	White/Yellow	白/黃
2	--	2	White	2	White	白	2	-	2	Gray	灰	2	Brown	2	Brown	棕	2	Brown	2	Brown/Green	棕/綠
1	Brown	1	Brown	1	Brown	棕	1	White	1	White	白	1	Yellow	1	Yellow	黃	1	White	1	White/Green	白/綠
Pin #	Wire	Pin #	Wire	Pin #	Wire	Pin #	Wire	Pin #	Wire	Pin #	Wire	Pin #	Wire	Pin #	Wire	Pin #	Wire	Pin #	Wire	Pin #	Wire



Pin Assignments Front View

UNIT: mm		TITLE		ITEM NO		DRAWN BY		DATE			
		M12 A-Code Male Conn. Panel Front With Wire harness		M12A-XXPMXX-SF8XXX		Ruru		2019-09-19			
		SCALE 3:2		SIZE A4		SHEET 2 OF 2		CHECKED BY Rita		DATE 2019-09-19	
		REV. E		WC-REV. A.3		((C)) Inspection item		APPROVED BY Max		DATE 2019-09-19	
TOLERANCE		SCALE		REV.		CUSTOMER		DATE			
.X ±0.25		3:2		E		ALTW		2019-09-19			
.XX ±0.1		SIZE A4		WC-REV. A.3		ALTW		2019-09-19			
.XXX ±0.05		SHEET 2 OF 2		((C)) Inspection item		ALTW		2019-09-19			
ANGLES ±1°		REV. E		WC-REV. A.3		ALTW		2019-09-19			

**Amphenol LTW**  
安費諾亮泰企業股份有限公司

## X-ON Electronics

Largest Supplier of Electrical and Electronic Components

*Click to view similar products for [Sensor Cables / Actuator Cables](#) category:*

*Click to view products by [Amphenol](#) manufacturer:*

Other Similar products are found below :

[60963](#) [60964](#) [M83513/19-F01CP](#) [703000D02F2002](#) [703001D02F0602](#) [703001D02F300](#) [704000D02F120](#) [773032K02F030](#) [802027107404-1](#)  
[802027213811-1](#) [804001A09M150](#) [805001A09M0502](#) [84914-0235](#) [84914-0237](#) [885030A09M020](#) [8R4J30E03C3003](#) [1200651332](#)  
[1200651713](#) [1200660844](#) [1200660845](#) [1200661173](#) [1200680071](#) [1200720053](#) [1200720081](#) [1200720099](#) [1200720217](#) [1200800231](#)  
[1200860125](#) [1200870123](#) [1200980102](#) [1200650267](#) [1200650298](#) [1200660183](#) [1200660782](#) [1200660849](#) [1200661295](#) [1200661297](#)  
[1200661342](#) [1200661343](#) [1200670080](#) [1200670220](#) [1200680331](#) [1200720252](#) [1200730184](#) [1200860344](#) [1200870359](#) [1200870643](#)  
[1200980008](#) [1200980031](#) [1210502211](#)