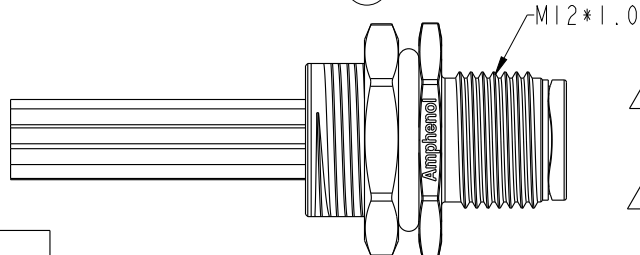
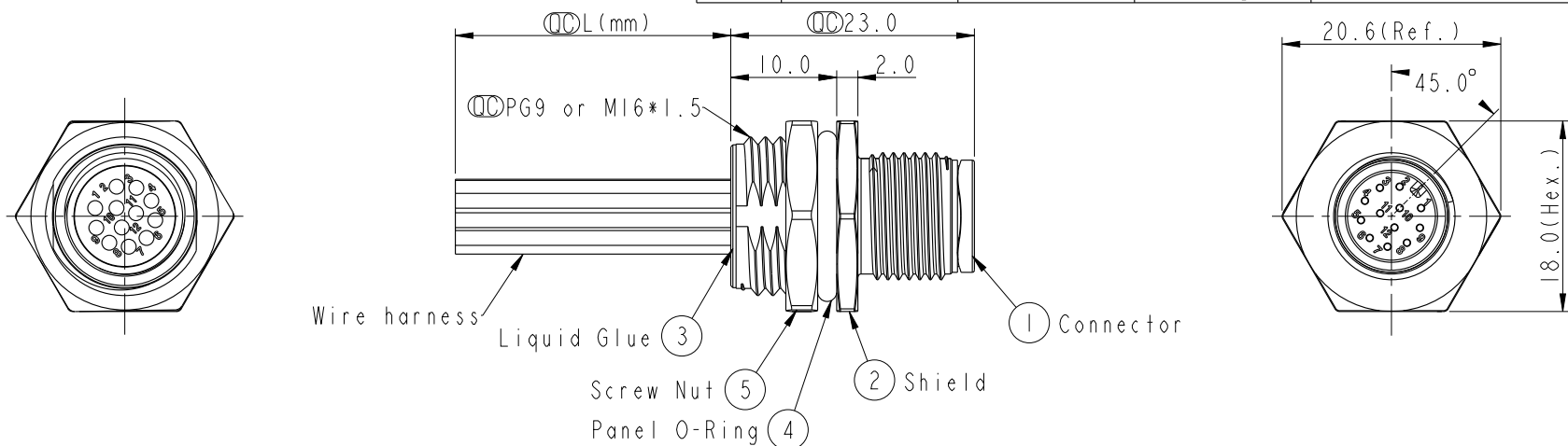
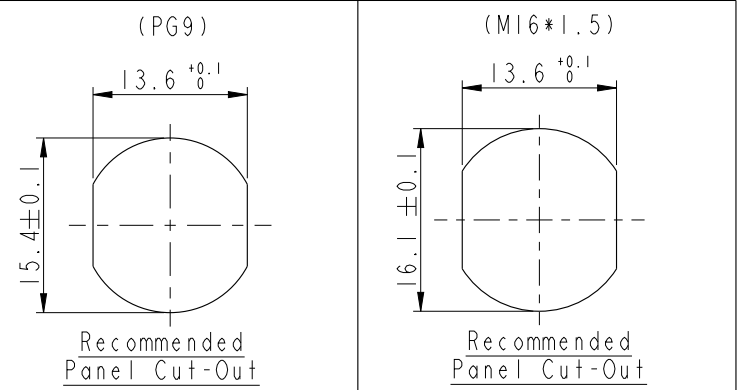


THIS DOCUMENT IS SUBJECT TO CHANGE WITHOUT NOTICE. IT IS CONFIDENTIAL AND A PROPERTY OF Amphenol LTW. DISCLOSURE TO THIRD PARTY HAS TO BE AUTHORIZED BY Amphenol LTW.

REV.	ECN NO.	DATE	SIGN	DESCRIPTION
C	LEN1680581-592 LEN1680604-605	2016/08/08	Yulong_wang	Add 6Pin & IP69K.
D	E191630	2019/09/19	Ruru	Update Wire Tolarance
E	BOMR19100207	2019/10/30	Peng	Add 17Pin



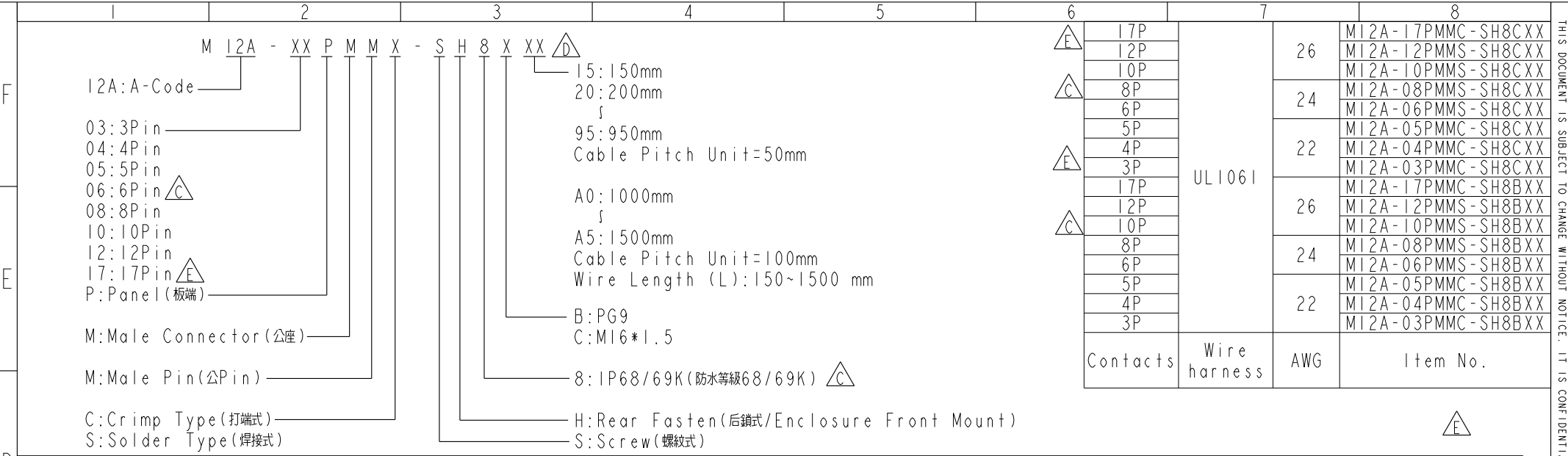
- Notes:
- * \varnothing Important Dimension.
 - * Waterproof Rate: IP68, IP69K.
 - * Connector: Nylon+GF, Black.
 - * Male Pin: Copper Alloy, Gold Plated.
 - * Shield: Zinc Alloy, Nickel Plated.
 - * Screw Nut: Zinc Alloy, Nickel Plated.
 - * Panel O-Ring: Viton, Black.
 - * Wire harness: UL1061
 - * Rated Voltage: 3 & 4Pin 250V dc. or ac.
5Pin 60V dc. or ac.
6~12Pin, 17Pin 30V dc. or ac.
 - * Rated Current: 3~5Pin 4A
6~8Pin 2A
10~12Pin, 17Pin 1.5A
 - * Operating Temperature: -25~85°C
 - * For Panel Thickness Max 4.5mm.
 - * Nut Torque: 4-6 Kgf.cm.
 - * Wire harness Tolerance: 150~300±15mm
301~1000±20mm
Over1000 ±50/-0mm



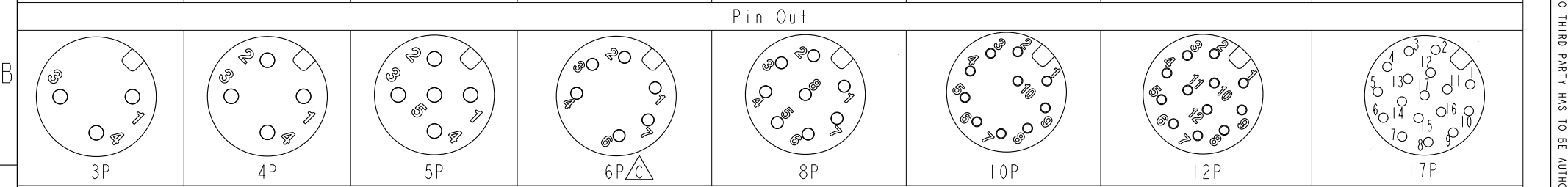
UNIT: mm		TITLE		ITEM NO	DRAWN BY	DATE
		M12 A-Code Male Conn. Panel Rear With Wire harness			Ruru	2019-09-19
TOLERANCE		SCALE	SIZE	SHEET	CHECKED BY	DATE
.X ±0.25 .XX ±0.1 .XXX ±0.05 ANGLES ±1°		3:2	A4	1 OF 2	Rita	2019-09-19
		REV.	WC-REV.	Customer	APPROVED BY	DATE
		E	A.3	ALTW	Max	2019-09-19

Amphenol LTW
安費諾亮泰企業股份有限公司

THIS DOCUMENT IS SUBJECT TO CHANGE WITHOUT NOTICE. IT IS CONFIDENTIAL AND A PROPERTY OF Amphenol LTW. DISCLOSURE TO THIRD PARTY HAS TO BE AUTHORIZED BY Amphenol LTW.



Pin #	Wire	Pin #	Wire	Pin #	Wire	Pin #	Wire	Pin #	Wire	Pin #	Wire	Pin #	Wire	Pin #	Wire	Pin #	Wire
17	White/Gray	17	White/Gray	17	White/Gray	17	White/Gray	17	White/Gray	17	White/Gray	17	White/Gray	17	White/Gray	17	White/Gray
16	Yellow/Brown	16	Yellow/Brown	16	Yellow/Brown	16	Yellow/Brown	16	Yellow/Brown	16	Yellow/Brown	16	Yellow/Brown	16	Yellow/Brown	16	Yellow/Brown
15	White/Yellow	15	White/Yellow	15	White/Yellow	15	White/Yellow	15	White/Yellow	15	White/Yellow	15	White/Yellow	15	White/Yellow	15	White/Yellow
14	Brown/Green	14	Brown/Green	14	Brown/Green	14	Brown/Green	14	Brown/Green	14	Brown/Green	14	Brown/Green	14	Brown/Green	14	Brown/Green
13	White/Green	13	White/Green	13	White/Green	13	White/Green	13	White/Green	13	White/Green	13	White/Green	13	White/Green	13	White/Green
12	Red/Blue	12	Red/Blue	12	Red/Blue	12	Red/Blue	12	Red/Blue	12	Red/Blue	12	Red/Blue	12	Red/Blue	12	Red/Blue
11	Gray/Pink	11	Gray/Pink	11	Gray/Pink	11	Gray/Pink	11	Gray/Pink	11	Gray/Pink	11	Gray/Pink	11	Gray/Pink	11	Gray/Pink
10	Violet	10	Violet	10	Violet	10	Violet	10	Violet	10	Violet	10	Violet	10	Violet	10	Violet
9	Red	9	Red	9	Red	9	Red	9	Red	9	Red	9	Red	9	Red	9	Red
8	Blue	8	Blue	8	Blue	8	Blue	8	Blue	8	Blue	8	Blue	8	Blue	8	Blue
7	Black	7	Black	7	Black	7	Black	7	Black	7	Black	7	Black	7	Black	7	Black
6	Yellow	6	Yellow	6	Yellow	6	Yellow	6	Yellow	6	Yellow	6	Yellow	6	Yellow	6	Yellow
5	Green	5	Green	5	Green	5	Green	5	Green	5	Green	5	Green	5	Green	5	Green
4	White	4	White	4	White	4	White	4	White	4	White	4	White	4	White	4	White
3	Brown	3	Brown	3	Brown	3	Brown	3	Brown	3	Brown	3	Brown	3	Brown	3	Brown
2	Blue	2	Blue	2	Blue	2	Blue	2	Blue	2	Blue	2	Blue	2	Blue	2	Blue
1	Gray	1	Gray	1	Gray	1	Gray	1	Gray	1	Gray	1	Gray	1	Gray	1	Gray



UNIT: mm		TITLE M12 A-Code Male Conn. Panel Rear With Wire harness		Amphenol LTW 安費諾亮泰企業股份有限公司		ITEM NO		DRAWN BY Ruru		DATE 2019-09-19	
TOLERANCE .X ±0.25 .XX ±0.1 .XXX ±0.05 ANGLES ±1°		SCALE 3:2				SIZE A4		SHEET 2 OF 2		CHECKED BY Rita	
		REV. E		WC-REV. A.3		CC: Inspection item		CUSTOMER ALTW		APPROVED BY Max	
										DATE 2019-09-19	

X-ON Electronics

Largest Supplier of Electrical and Electronic Components

Click to view similar products for [Sensor Cables / Actuator Cables](#) category:

Click to view products by [Amphenol](#) manufacturer:

Other Similar products are found below :

[60963](#) [60964](#) [M83513/19-F01CP](#) [703000D02F2002](#) [703001D02F0602](#) [703001D02F300](#) [704000D02F120](#) [773032K02F030](#) [802027107404-1](#)
[802027213811-1](#) [804001A09M150](#) [805001A09M0502](#) [84914-0235](#) [84914-0237](#) [885030A09M020](#) [8R4J30E03C3003](#) [1200651332](#)
[1200651713](#) [1200660844](#) [1200660845](#) [1200661173](#) [1200680071](#) [1200720053](#) [1200720081](#) [1200720099](#) [1200720217](#) [1200800231](#)
[1200860125](#) [1200870123](#) [1200980102](#) [1200650267](#) [1200650298](#) [1200660183](#) [1200660782](#) [1200660849](#) [1200661295](#) [1200661297](#)
[1200661342](#) [1200661343](#) [1200670080](#) [1200670220](#) [1200680331](#) [1200720252](#) [1200730184](#) [1200860344](#) [1200870359](#) [1200870643](#)
[1200980008](#) [1200980031](#) [1210502211](#)